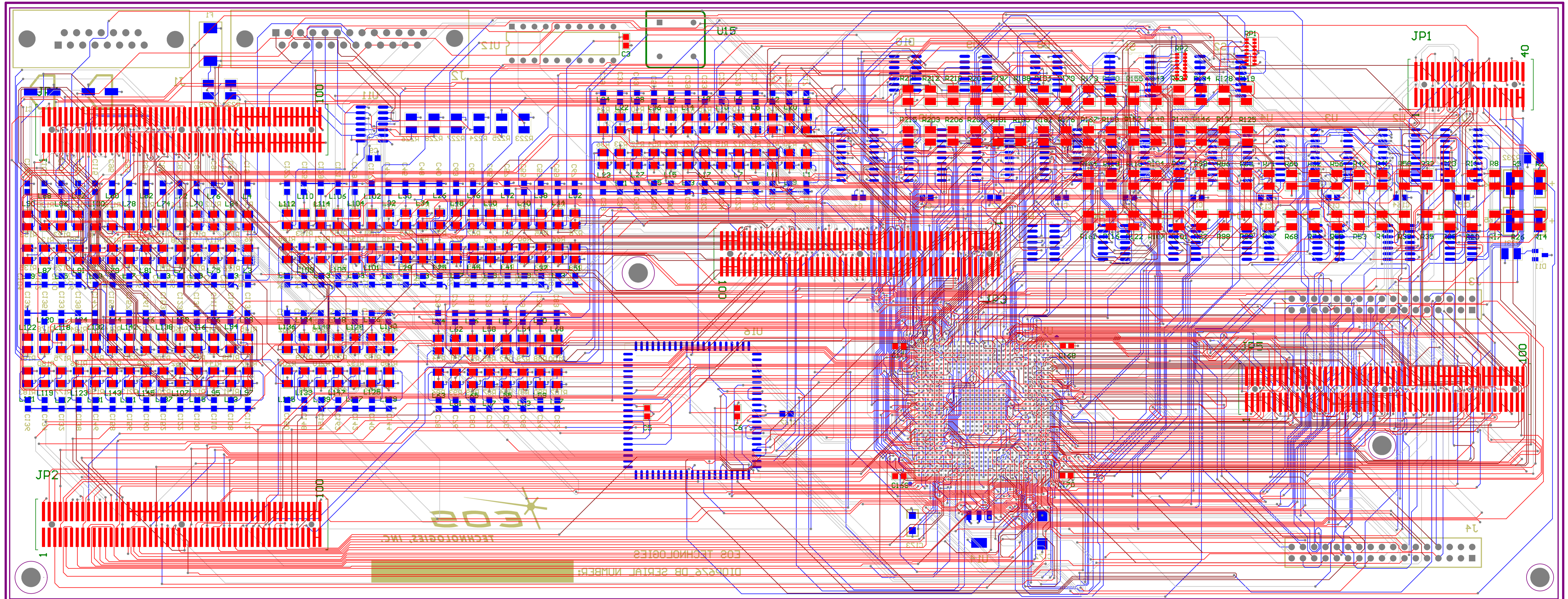
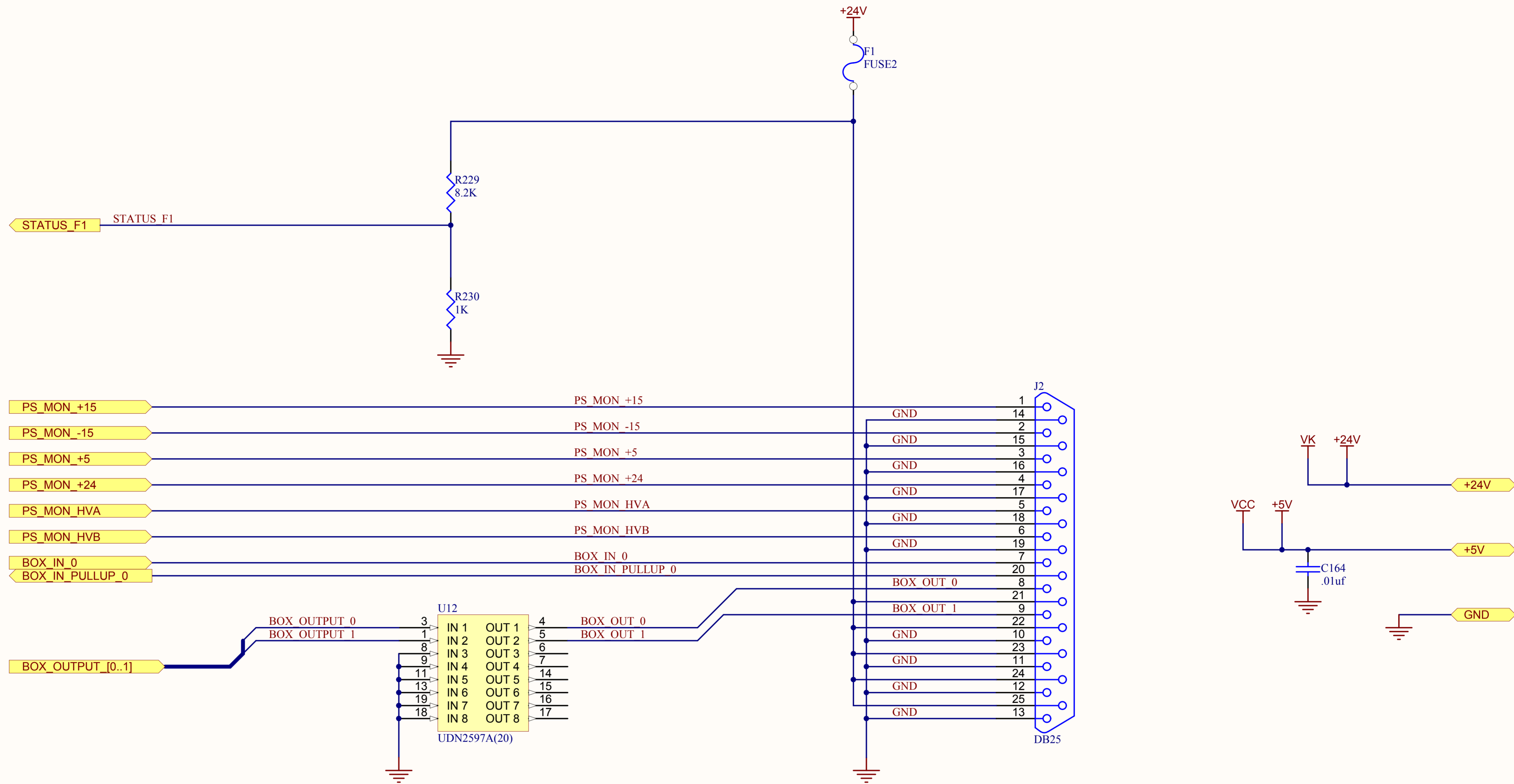


GEN_DIOP_676



TECHNOLOGIES, INC.
EOS TECHNOLOGIES
DIODES DB SERIAL NUMBER:

230mil
230mil
13805mil
5325mil



COPYRIGHT
 THIS DOCUMENT & ENCLOSED
 INFORMATION REMAINS THE PROPERTY
 OF EOS TECHNOLOGIES INC.
 INTELLECTUAL PROPERTY AND
 INFORMATION HEREIN MAY NOT BE
 COPIED NOR DISCLOSED WITHOUT
 WRITTEN CONSENT OF EOS
 TECHNOLOGIES, INC. MANAGEMENT.

FILE Q:\electrical\COMMON\pcb_sch\DIOP_676\BOX_CONN.Sch
 PRINTED 1/6/2010 2:48:04 PM
 TEMPLATE: Eost_a23

EOS TECHNOLOGIES, Inc.

925 W. GRANT RD.
 TUCSON, ARIZONA 85705 USA

TITLE

BOX_CONN

DOCUMENT NUMBER

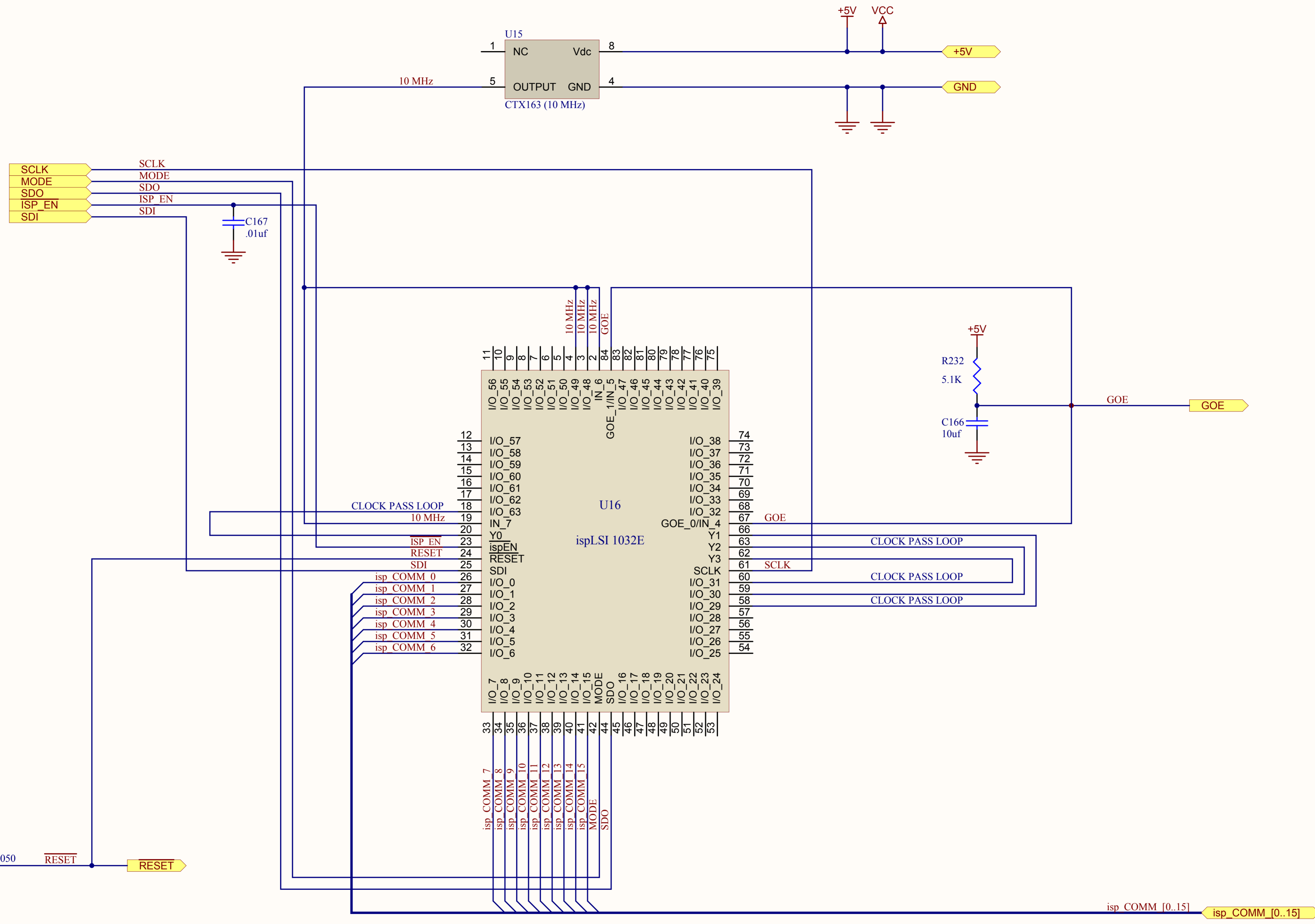
SCH-4038-1

SIZE

A2

SCALE N/A

SHEET 15 OF 25



COPYRIGHT
 THIS DOCUMENT & ENCLOSED
 INFORMATION REMAINS THE PROPERTY
 OF EOS TECHNOLOGIES INC.
 INTELLECTUAL PROPERTY AND
 INFORMATION HEREIN MAY NOT BE
 COPIED NOR DISCLOSED WITHOUT
 WRITTEN CONSENT OF EOS
 TECHNOLOGIES, INC. MANAGEMENT.

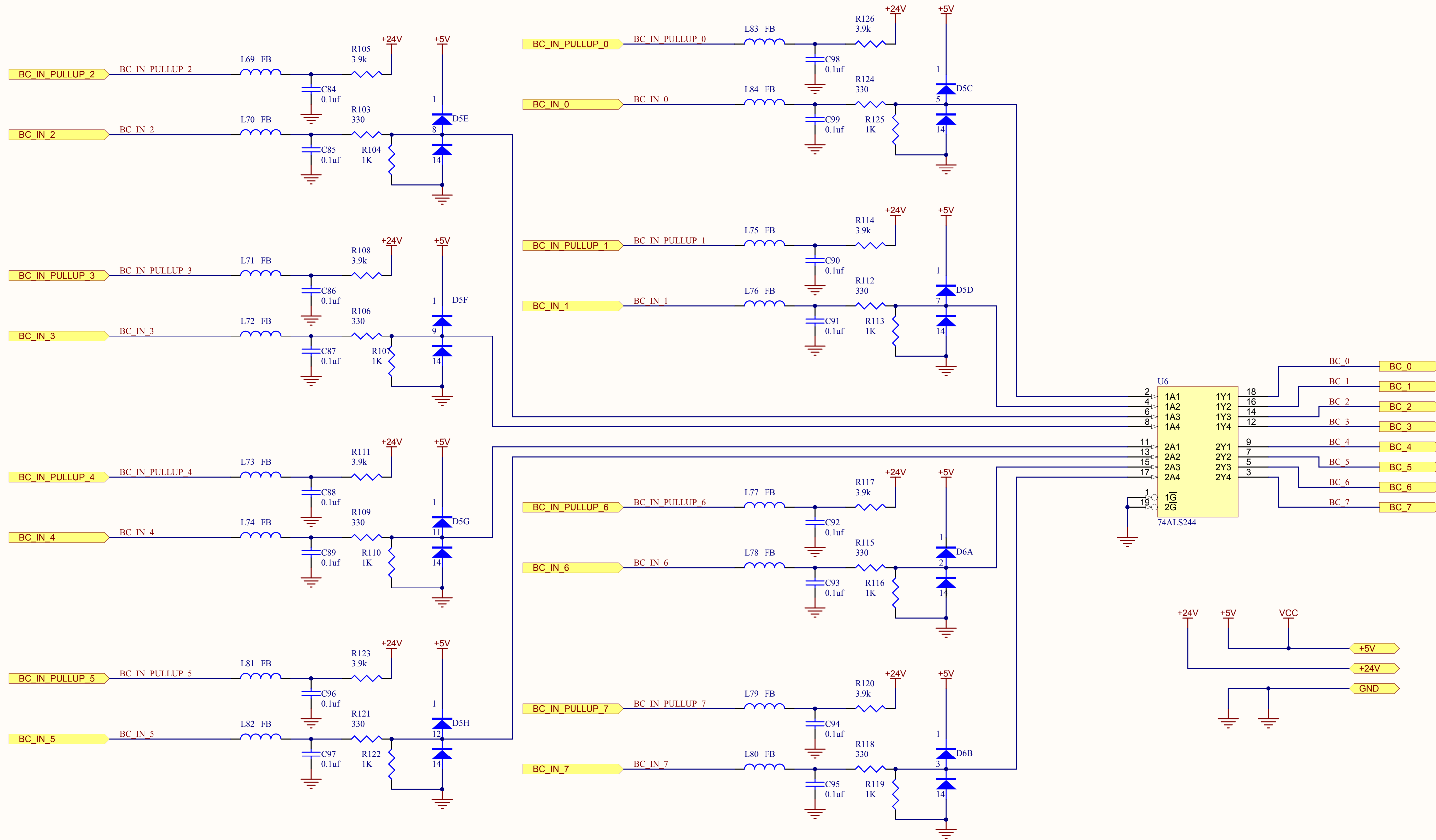
FILE Q:\electrical\COMMON\pcb_sch\DIOP_676\CLOCK.SCH
 PRINTED 1/6/2010 2:48:06 PM
 TEMPLATE: Eost_a23

EOS TECHNOLOGIES, Inc.
 925 W. GRANT RD.
 TUCSON, ARIZONA 85705 USA
 TITLE
DIO_CLOCK
 DOCUMENT NUMBER
SCH-4038-1
 SCALE N/A SHEET 17 OF 25

SIZE
A2

SCH-4038-1

SCH-4038-1



COPYRIGHT
 THIS DOCUMENT & ENCLOSED
 INFORMATION REMAINS THE PROPERTY
 OF EOS TECHNOLOGIES INC.
 INTELLECTUAL PROPERTY AND
 INFORMATION HEREIN MAY NOT BE
 COPIED NOR DISCLOSED WITHOUT
 WRITTEN CONSENT OF EOS
 TECHNOLOGIES, INC. MANAGEMENT.

FILE Q:\electrical\COMMON\pcb_sch\DIOP_676\DIG_DBN5.SCH
 PRINTED 1/6/2010 2:48:09 PM
 TEMPLATE: Eost_a23

EOS TECHNOLOGIES, Inc.

925 W. GRANT RD.
 TUCSON, ARIZONA 85705 USA

TITLE

DIG_DBN5

DOCUMENT NUMBER

SCH-4038-1

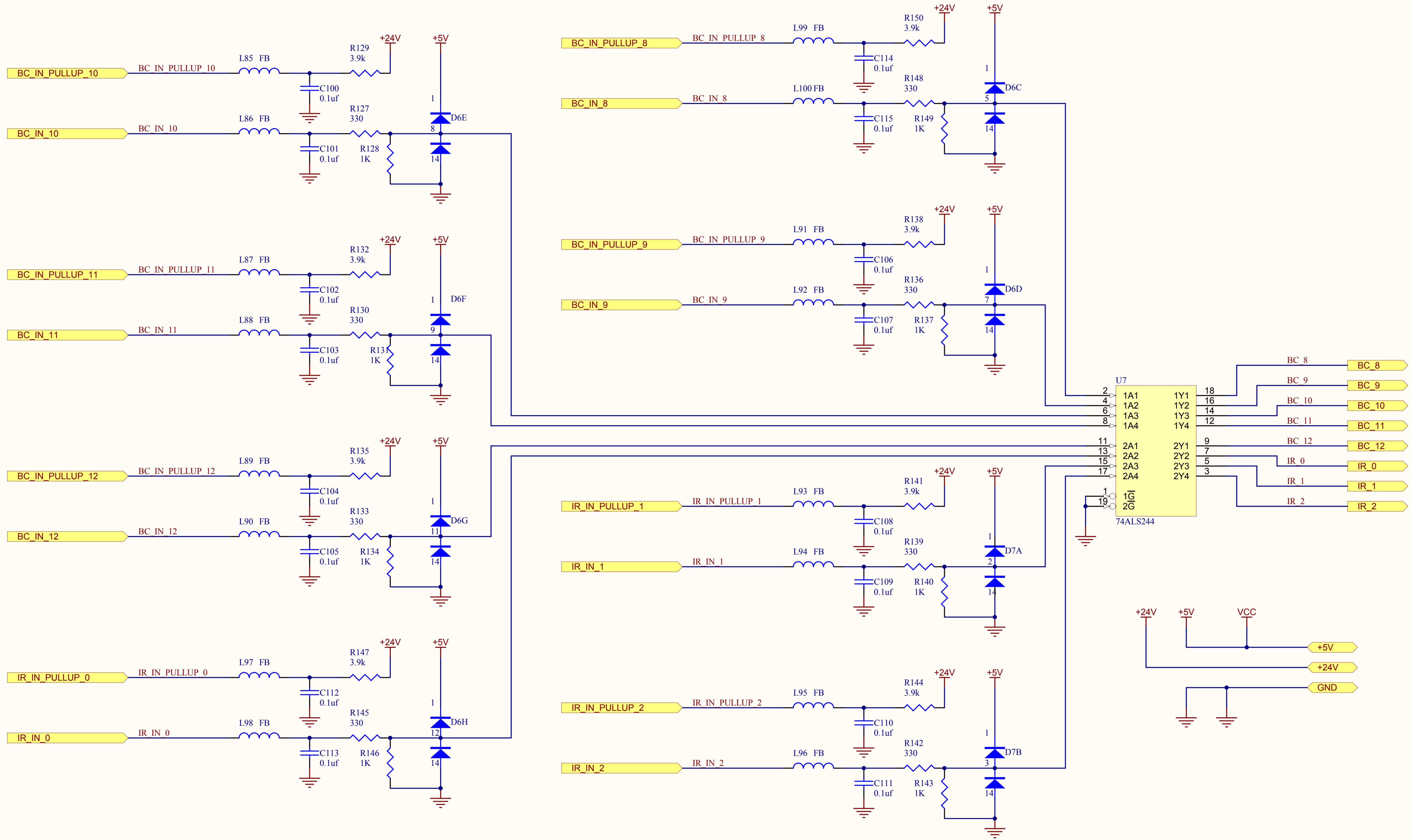
SIZE

A2

SCALE N/A

SHEET 9 OF 25

SCH-4038-1



COPYRIGHT
 THIS DOCUMENT & ENCLOSED
 INFORMATION REMAINS THE PROPERTY
 OF EOS TECHNOLOGIES INC.
 INTELLECTUAL PROPERTY AND
 INFORMATION HEREIN MAY NOT BE
 COPIED NOR DISCLOSED WITHOUT
 WRITTEN CONSENT OF EOS
 TECHNOLOGIES, INC. MANAGEMENT.

FILE Q:\electrical\COMMON\pcb_sch\DIOP_676\DIG_DBN6.SCH
 PRINTED 1/6/2010 2:48:11 PM
 TEMPLATE: Eost_a23

EOS TECHNOLOGIES, Inc.

925 W. GRANT RD.
 TUCSON, ARIZONA 85705 USA

TITLE

DIG_DBN6

DOCUMENT NUMBER

SCH-4038-1

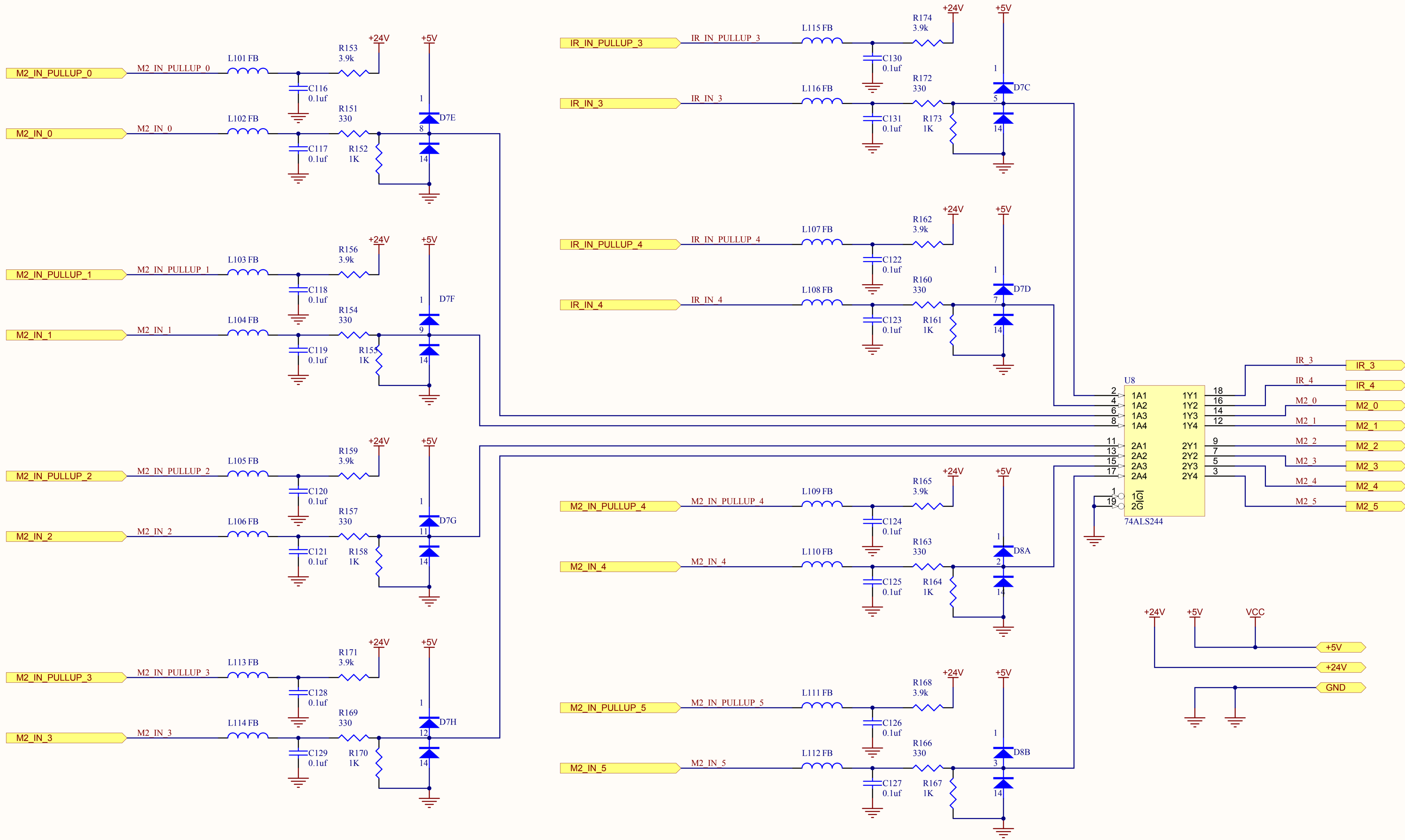
SIZE

A2

SCALE N/A

SHEET 10 OF 25

SCH-4038-1



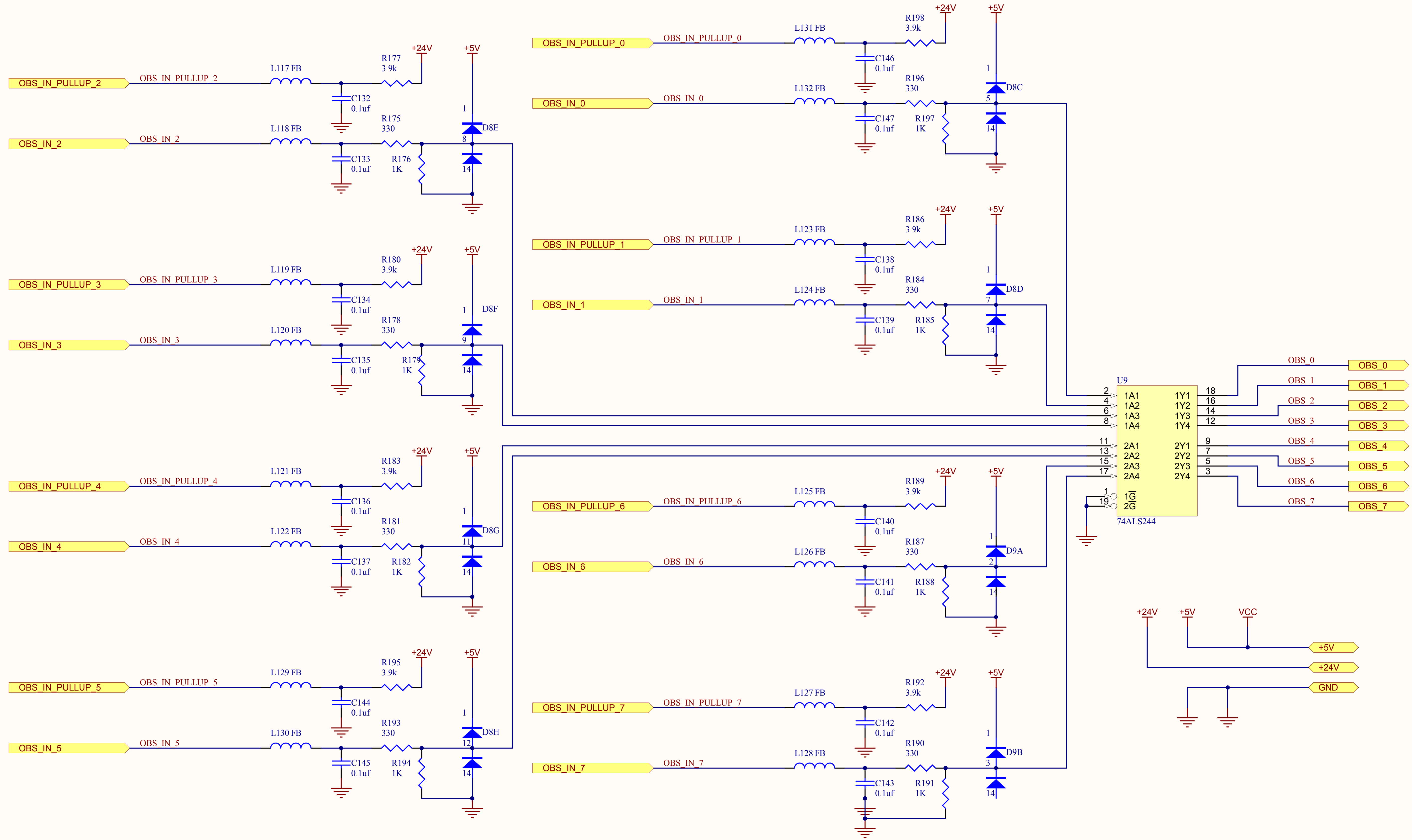
COPYRIGHT
 THIS DOCUMENT & ENCLOSED
 INFORMATION REMAINS THE PROPERTY
 OF EOS TECHNOLOGIES INC.
 INTELLECTUAL PROPERTY AND
 INFORMATION HEREIN MAY NOT BE
 COPIED NOR DISCLOSED WITHOUT
 WRITTEN CONSENT OF EOS
 TECHNOLOGIES, INC. MANAGEMENT.

FILE Q:\electrical\COMMON\pcb_sch\DIOP_676\DIG_DBN7.SCH
 PRINTED 1/6/2010 2:48:13 PM
 TEMPLATE: Eost_a23

EOS TECHNOLOGIES, Inc.	
925 W. GRANT RD. TUCSON, ARIZONA 85705 USA	
TITLE	
DIG_DBN7	
DOCUMENT NUMBER	SIZE
SCH-4038-1	A2
SCALE N/A	SHEET 11 OF 25

SCH-4038-1

SCH-4038-1



COPYRIGHT
 THIS DOCUMENT & ENCLOSED
 INFORMATION REMAINS THE PROPERTY
 OF EOS TECHNOLOGIES INC.
 INTELLECTUAL PROPERTY AND
 INFORMATION HEREIN MAY NOT BE
 COPIED NOR DISCLOSED WITHOUT
 WRITTEN CONSENT OF EOS
 TECHNOLOGIES, INC. MANAGEMENT.

FILE Q:\electrical\COMMON\pcb_sch\DIOP_676\DIG_DBN8.SCH
 PRINTED 1/6/2010 2:48:14 PM
 TEMPLATE: Eost_a23

EOS TECHNOLOGIES, Inc.

925 W. GRANT RD.
 TUCSON, ARIZONA 85705 USA

TITLE

DIG_DBN8

DOCUMENT NUMBER

SCH-4038-1

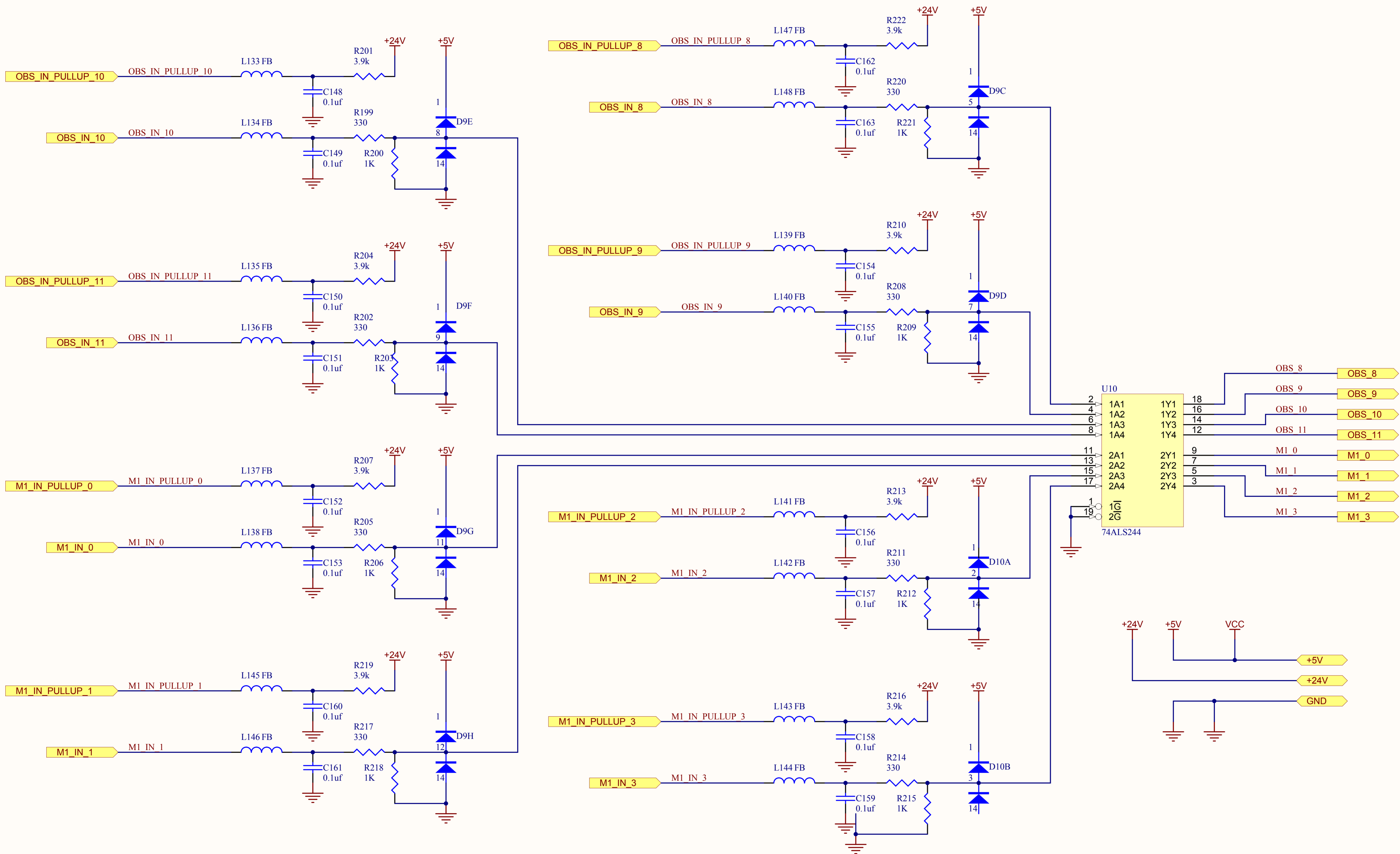
SIZE

A2

SCALE N/A

SHEET 12 OF 25

SCH-4038-1



COPYRIGHT
 THIS DOCUMENT & ENCLOSED
 INFORMATION REMAINS THE PROPERTY
 OF EOS TECHNOLOGIES INC.
 INTELLECTUAL PROPERTY AND
 INFORMATION HEREIN MAY NOT BE
 COPIED NOR DISCLOSED WITHOUT
 WRITTEN CONSENT OF EOS
 TECHNOLOGIES, INC. MANAGEMENT.

FILE Q:\electrical\COMMON\pcb_sch\DIOP_676\DIG_DBN9.SCH
 PRINTED 1/6/2010 2:48:15 PM
 TEMPLATE: Eost_a23

EOS TECHNOLOGIES, Inc.

925 W. GRANT RD.
 TUCSON, ARIZONA 85705 USA

TITLE

DIG_DBN9

DOCUMENT NUMBER

SCH-4038-1

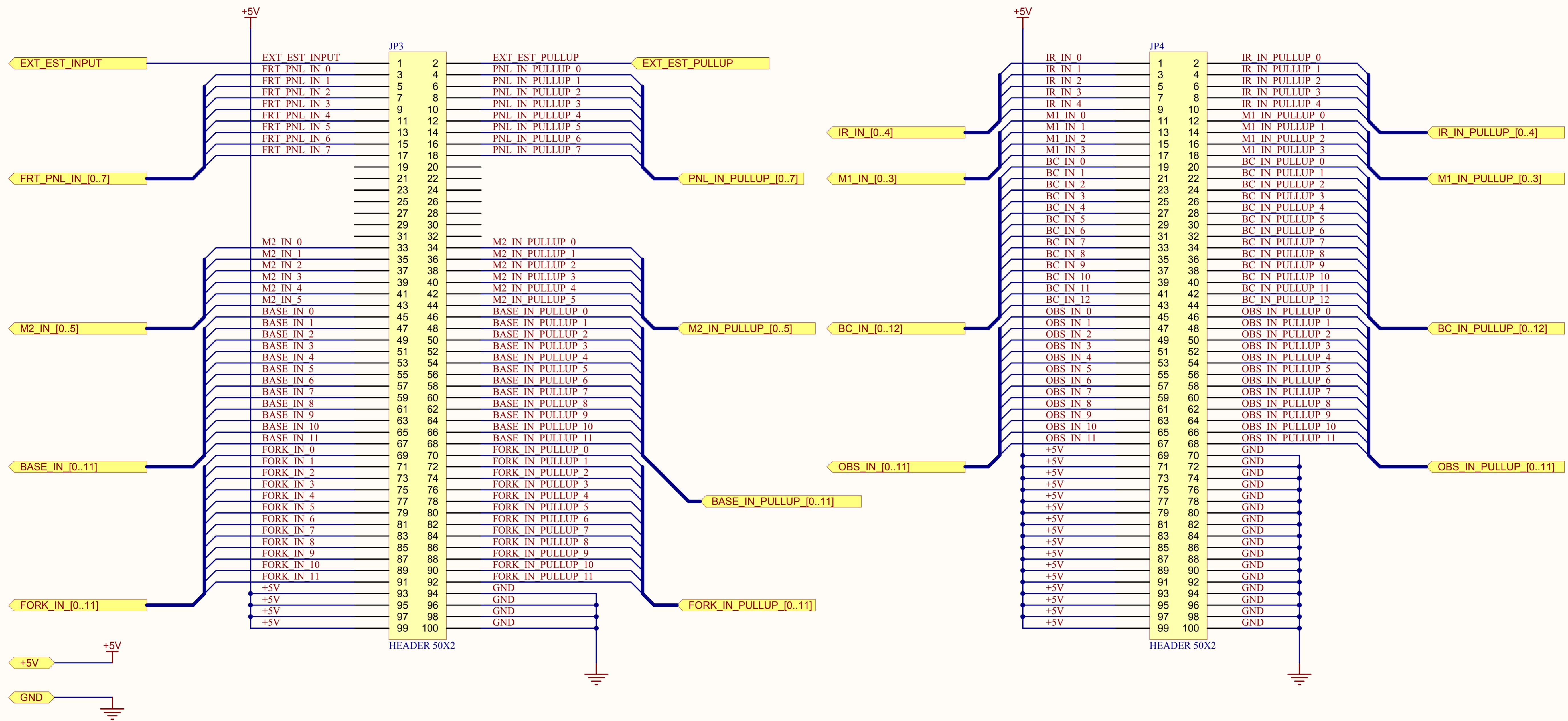
SIZE

A2

SCALE N/A

SHEET 13 OF 25

SCH-4038-1



COPYRIGHT
 THIS DOCUMENT & ENCLOSED
 INFORMATION REMAINS THE PROPERTY
 OF EOS TECHNOLOGIES INC.
 INTELLECTUAL PROPERTY AND
 INFORMATION HEREIN MAY NOT BE
 COPIED NOR DISCLOSED WITHOUT
 WRITTEN CONSENT OF EOS
 TECHNOLOGIES, INC. MANAGEMENT.

FILE Q:\electrical\COMMON\pcb_sch\DIOP_676\DIODBCONN.Sch
 PRINTED 1/6/2010 2:48:17 PM
 TEMPLATE: Eost_a23

EOS TECHNOLOGIES, Inc.
 925 W. GRANT RD.
 TUCSON, ARIZONA 85705 USA

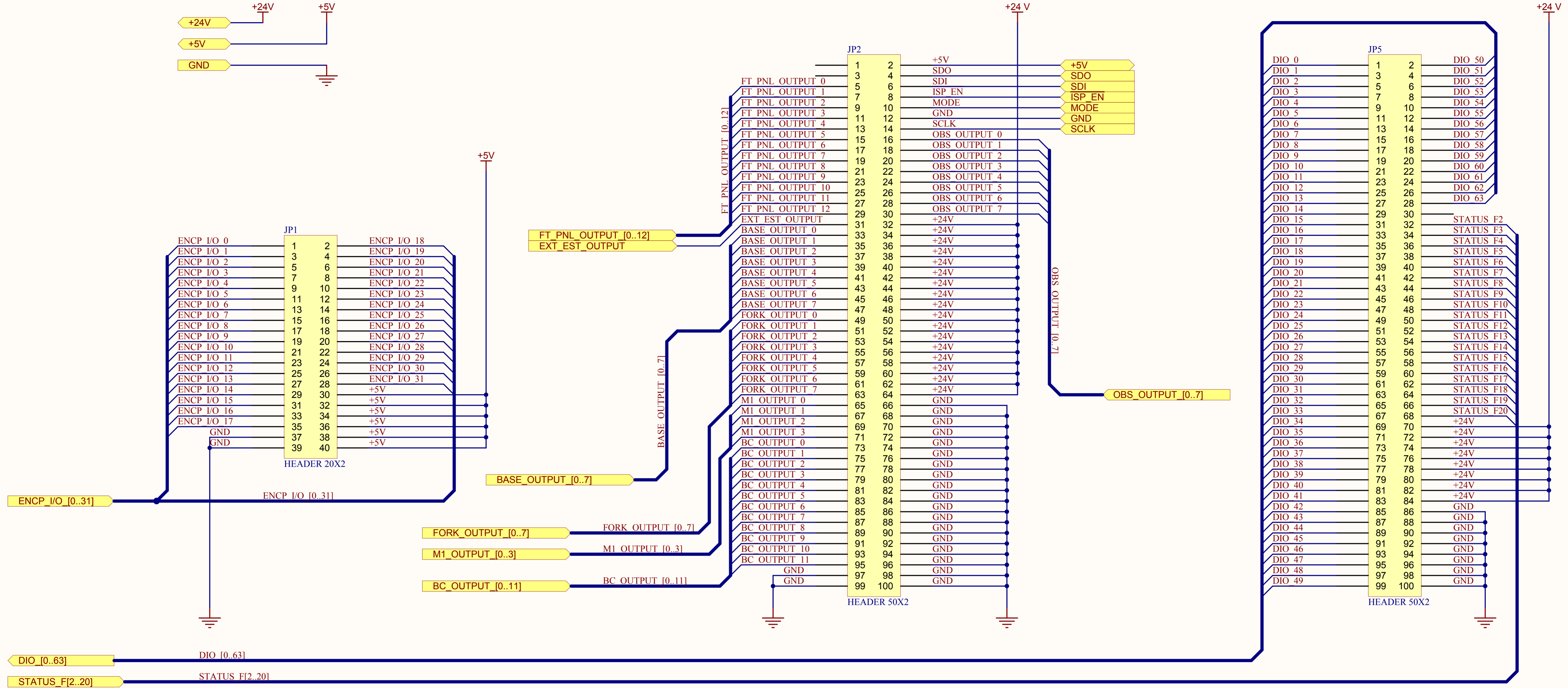
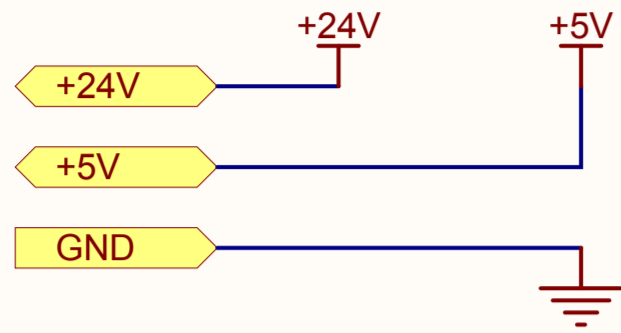
TITLE
DIO_DB_CONN

DOCUMENT NUMBER
SCH-4038-1

SCALE N/A SHEET 18 OF 25

SIZE
A2

DIO_DB_CONN SCH-4038-1



COPYRIGHT
 THIS DOCUMENT & ENCLOSED INFORMATION REMAINS THE PROPERTY OF EOS TECHNOLOGIES INC. INTELLECTUAL PROPERTY AND INFORMATION HEREIN MAY NOT BE COPIED NOR DISCLOSED WITHOUT WRITTEN CONSENT OF EOS TECHNOLOGIES, INC. MANAGEMENT.

FILE Q:\electrical\COMMON\pcb_sch\DIOP_676\DIODBCONN.B Sch
 PRINTED 1/6/2010 2:48:18 PM
 TEMPLATE: Eost_a23

EOS TECHNOLOGIES, Inc.

925 W. GRANT RD.
 TUCSON, ARIZONA 85705 USA

TITLE

DIO_DB_CONN_B

DOCUMENT NUMBER

SCH-4038-1

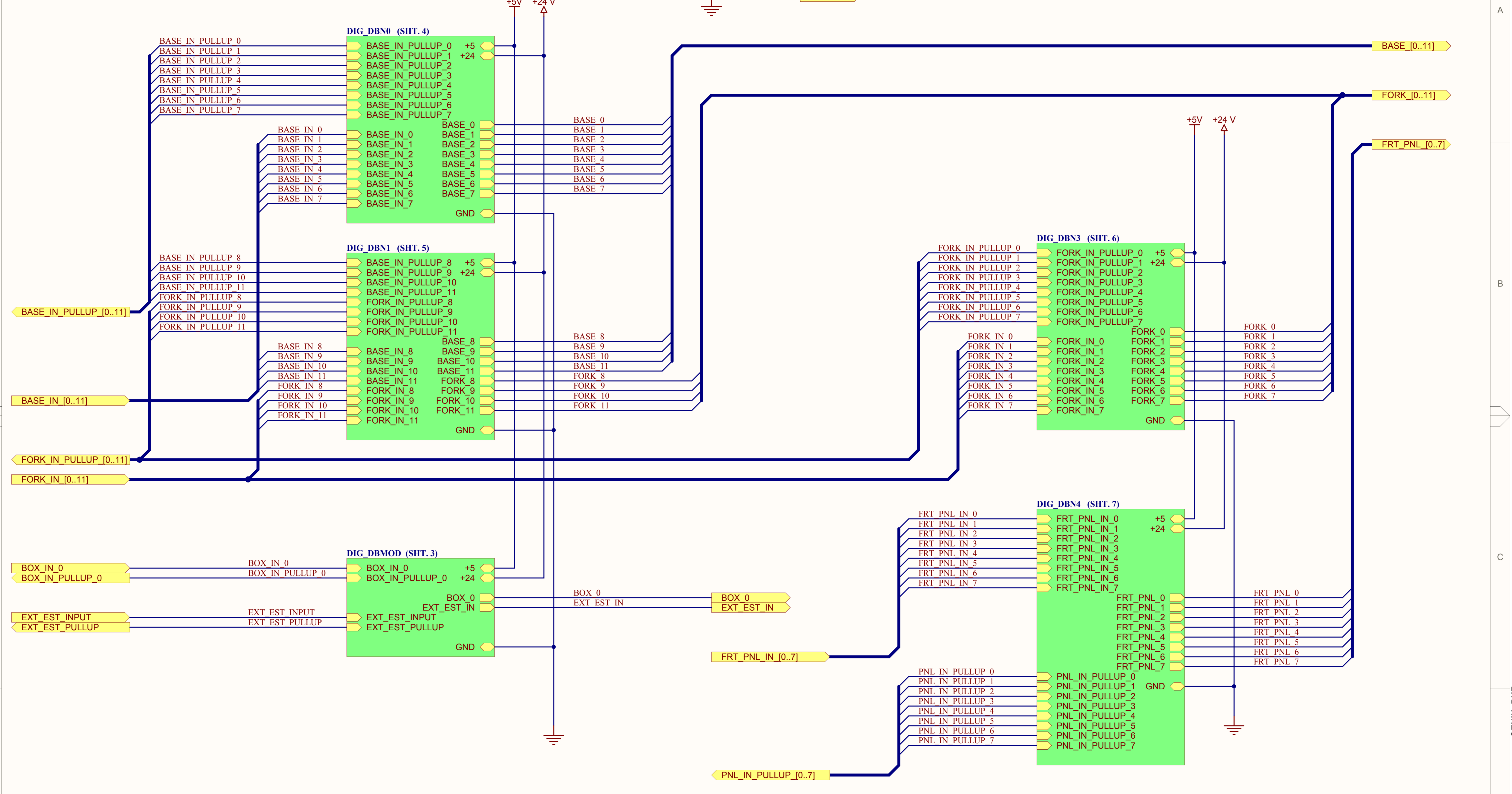
SIZE

A2

SCALE N/A

SHEET 19 OF 25

SCH-4038-1

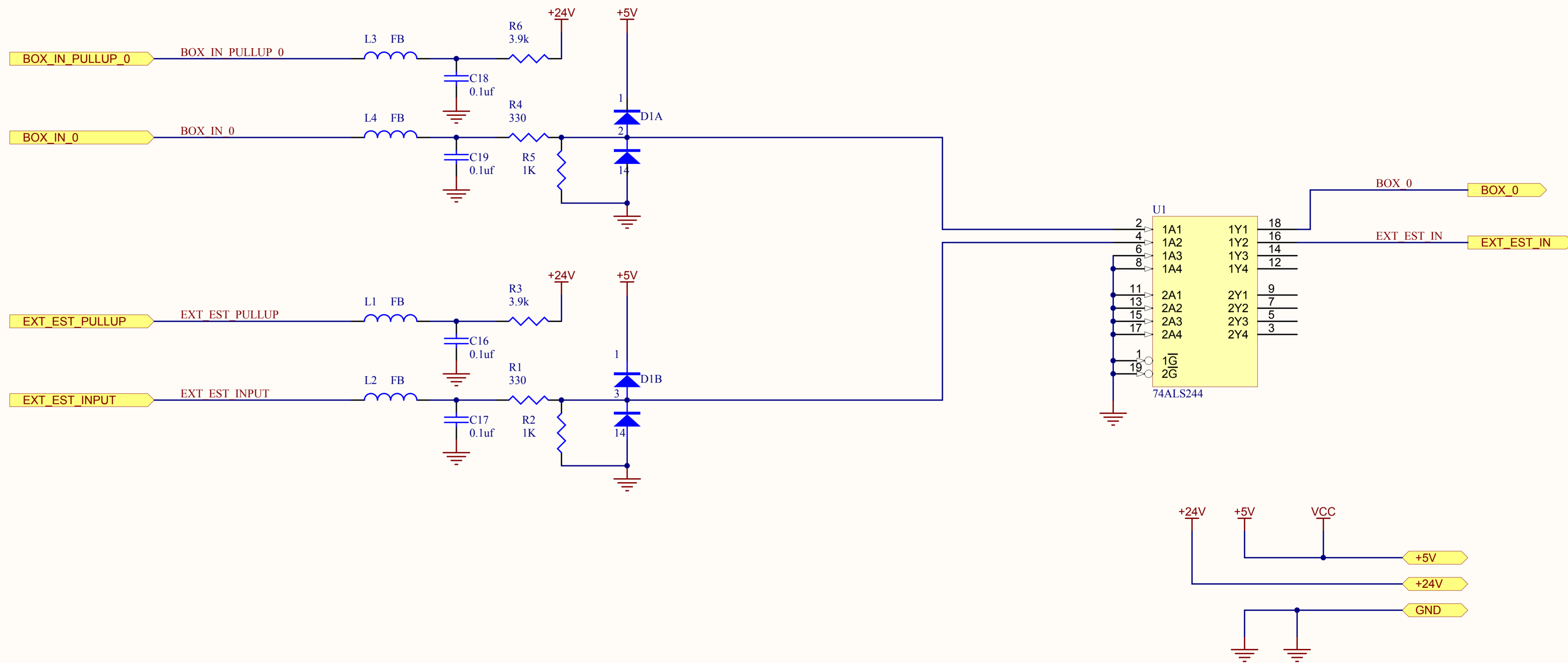


COPYRIGHT
 THIS DOCUMENT & ENCLOSED
 INFORMATION REMAINS THE PROPERTY
 OF EOS TECHNOLOGIES INC.
 INTELLECTUAL PROPERTY AND
 INFORMATION HEREIN MAY NOT BE
 COPIED NOR DISCLOSED WITHOUT
 WRITTEN CONSENT OF EOS
 TECHNOLOGIES, INC. MANAGEMENT.

FILE Q:\electrical\COMMON\pcb_sch\DIOP_676\GENIN_BUF.SCH
 PRINTED 1/6/2010 2:48:19 PM
 TEMPLATE: Eost_a23

EOS TECHNOLOGIES, Inc.	
925 W. GRANT RD. TUCSON, ARIZONA 85705 USA	
TITLE	
GENIN_BUF	
DOCUMENT NUMBER	SIZE
SCH-4038-1	A2
SCALE N/A	SHEET 2 OF 25

GENIN_BUF
SCH-4038-1



COPYRIGHT
 THIS DOCUMENT & ENCLOSED
 INFORMATION REMAINS THE PROPERTY
 OF EOS TECHNOLOGIES INC.
 INTELLECTUAL PROPERTY AND
 INFORMATION HEREIN MAY NOT BE
 COPIED NOR DISCLOSED WITHOUT
 WRITTEN CONSENT OF EOS
 TECHNOLOGIES, INC. MANAGEMENT.

FILE Q:\electrical\COMMON\pcb_sch\DIOP_676\DIG_DBMOD.SCH
 PRINTED 1/6/2010 2:48:20 PM
 TEMPLATE: Eost_a23

EOS TECHNOLOGIES, Inc.

925 W. GRANT RD.
 TUCSON, ARIZONA 85705 USA

TITLE

DIG_DBMOD

DOCUMENT NUMBER

SCH-4038-1

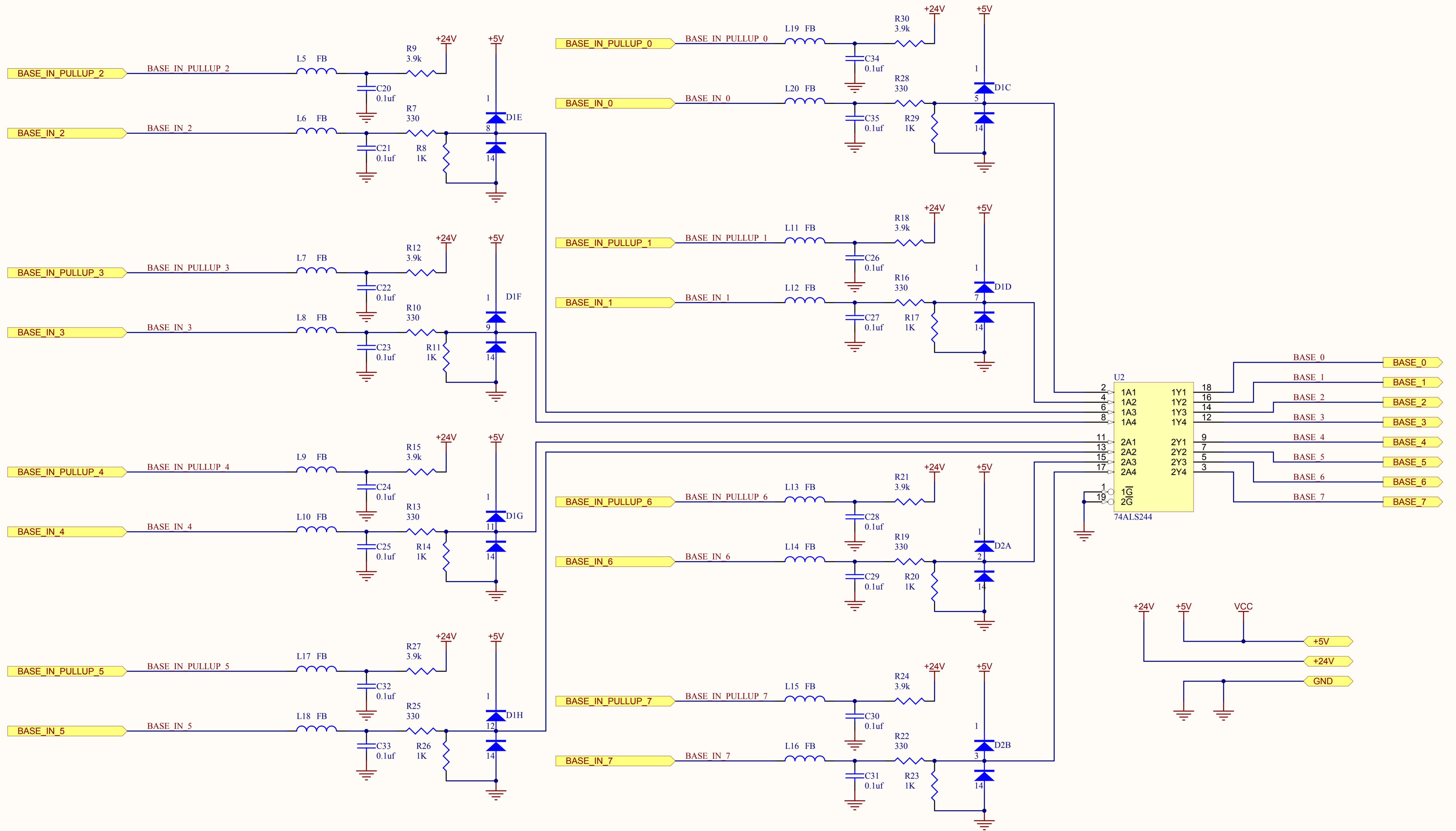
SIZE

A2

SCALE N/A

SHEET 3 OF 25

SCH-4038-1



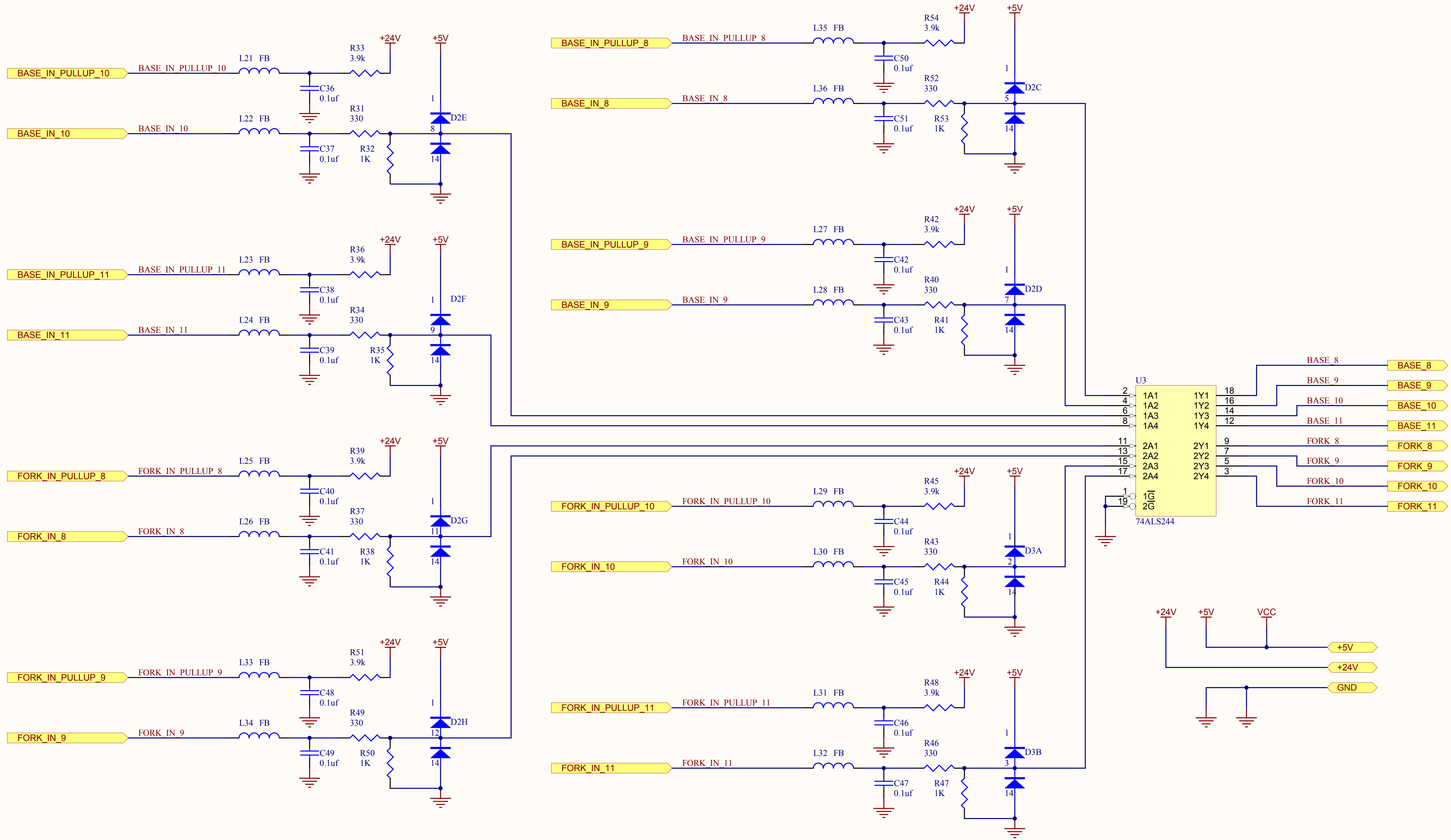
COPYRIGHT
 THIS DOCUMENT & ENCLOSED
 INFORMATION REMAINS THE PROPERTY
 OF EOS TECHNOLOGIES INC.
 INTELLECTUAL PROPERTY AND
 INFORMATION HEREIN MAY NOT BE
 COPIED NOR DISCLOSED WITHOUT
 WRITTEN CONSENT OF EOS
 TECHNOLOGIES, INC. MANAGEMENT.

FILE Q:\electrical\COMMON\pcb_sch\DIOP_676\DIG_DBN0.SCH
 PRINTED 1/6/2010 2:48:22 PM
 TEMPLATE: Eost_a23

EOS TECHNOLOGIES, Inc. 925 W. GRANT RD. TUCSON, ARIZONA 85705 USA	
TITLE DIG_DBN0	
DOCUMENT NUMBER SCH-4038-1	SIZE A2
SCALE N/A	SHEET 4 OF 25

SCH-4038-1

SCH-4038-1



COPYRIGHT
 THIS DOCUMENT & ENCLOSED
 INFORMATION REMAINS THE PROPERTY
 OF EOS TECHNOLOGIES INC.
 INTELLECTUAL PROPERTY AND
 INFORMATION HEREIN MAY NOT BE
 COPIED NOR DISCLOSED WITHOUT
 WRITTEN CONSENT OF EOS
 TECHNOLOGIES, INC. MANAGEMENT.

FILE Q:\electrical\COMMON\pcb_sch\DIOP_676\DIG_DBN1.SCH
 PRINTED 1/6/2010 2:48:23 PM
 TEMPLATE: Eost_a23

EOS TECHNOLOGIES, Inc.

925 W. GRANT RD.
 TUCSON, ARIZONA 85705 USA

TITLE

DIG_DBN1

DOCUMENT NUMBER

SCH-4038-1

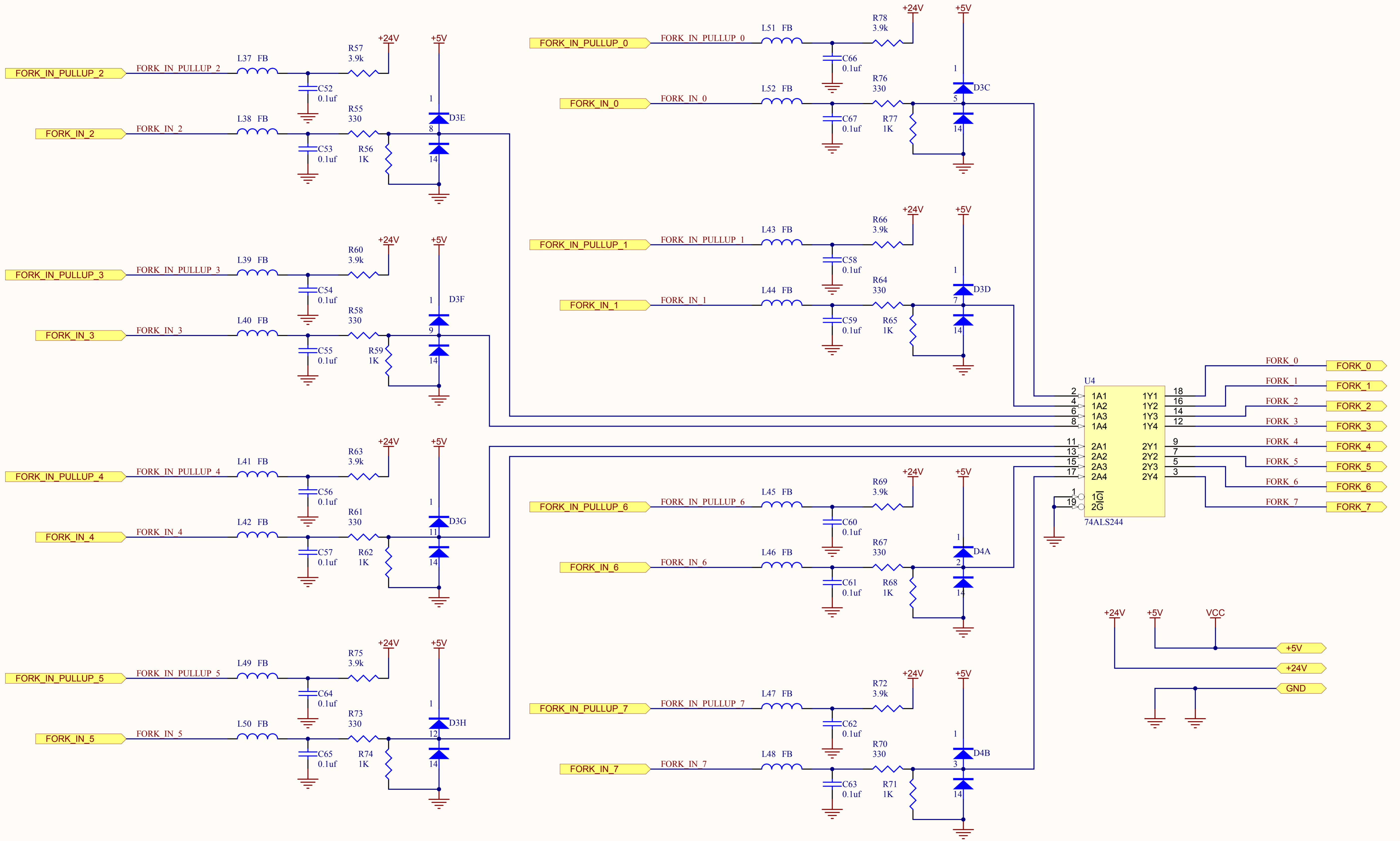
SIZE

A2

SCALE N/A

SHEET 5 OF 25

SCH-4038-1



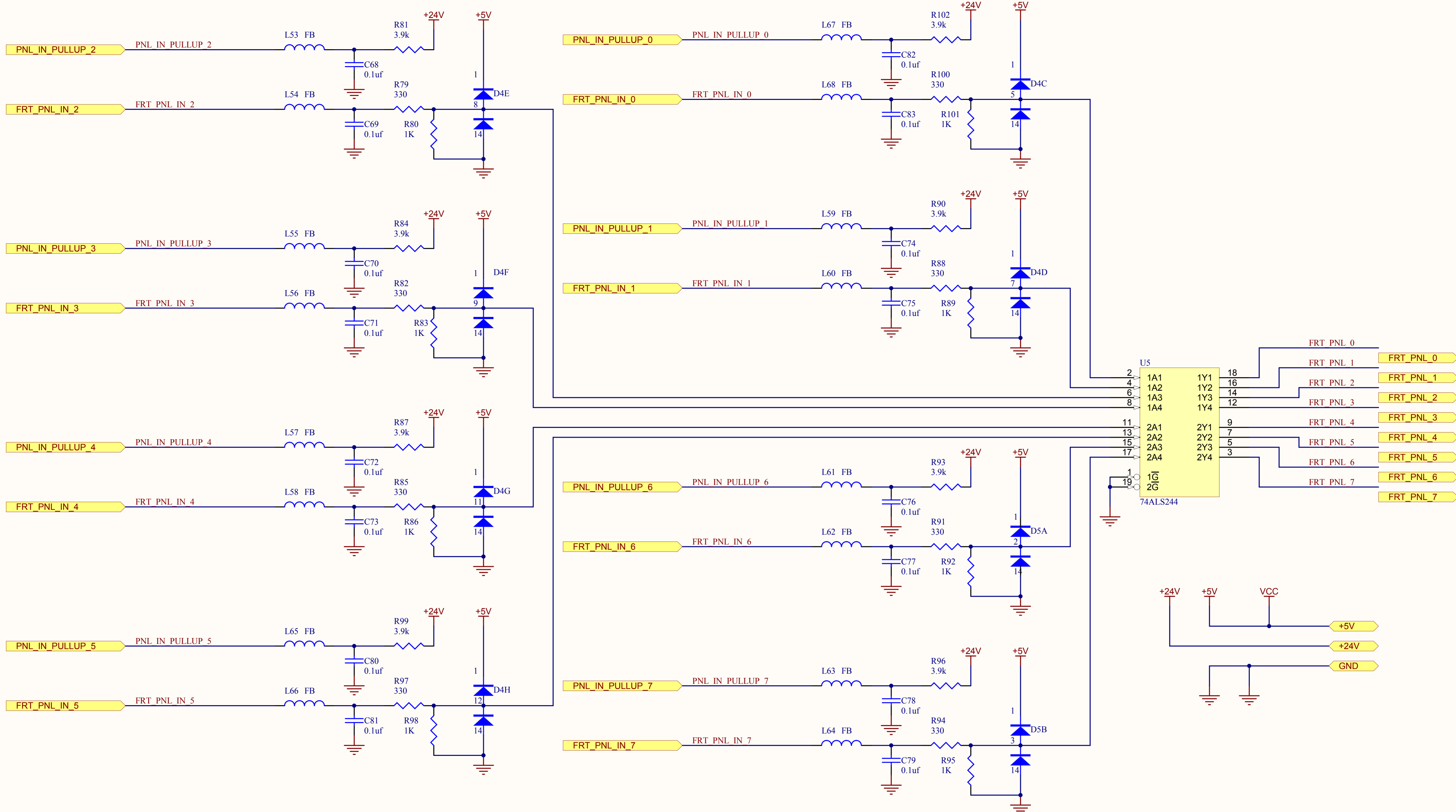
COPYRIGHT
 THIS DOCUMENT & ENCLOSED
 INFORMATION REMAINS THE PROPERTY
 OF EOS TECHNOLOGIES INC.
 INTELLECTUAL PROPERTY AND
 INFORMATION HEREIN MAY NOT BE
 COPIED NOR DISCLOSED WITHOUT
 WRITTEN CONSENT OF EOS
 TECHNOLOGIES, INC. MANAGEMENT.

FILE Q:\electrical\COMMON\pcb_sch\DIOP_676\DIG_DBN3.SCH
 PRINTED 1/6/2010 2:48:25 PM
 TEMPLATE: Eost_a23

EOS TECHNOLOGIES, Inc. 925 W. GRANT RD. TUCSON, ARIZONA 85705 USA	
TITLE DIG_DBN3	
DOCUMENT NUMBER SCH-4038-1	SIZE A2
SCALE N/A	SHEET 6 OF 25

SCH-4038-1

SCH-4038-1



COPYRIGHT
 THIS DOCUMENT & ENCLOSED
 INFORMATION REMAINS THE PROPERTY
 OF EOS TECHNOLOGIES INC.
 INTELLECTUAL PROPERTY AND
 INFORMATION HEREIN MAY NOT BE
 COPIED NOR DISCLOSED WITHOUT
 WRITTEN CONSENT OF EOS
 TECHNOLOGIES, INC. MANAGEMENT.

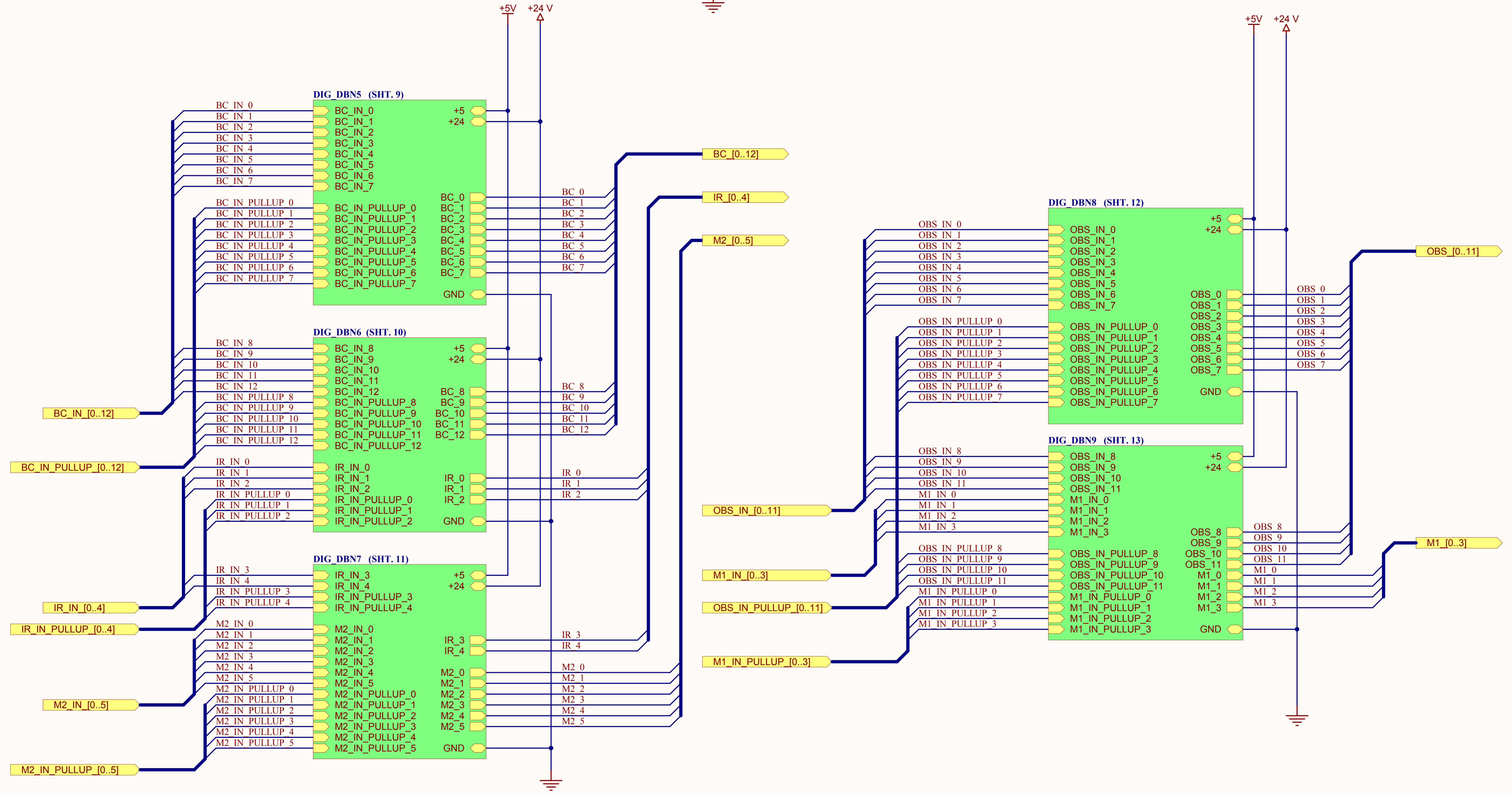
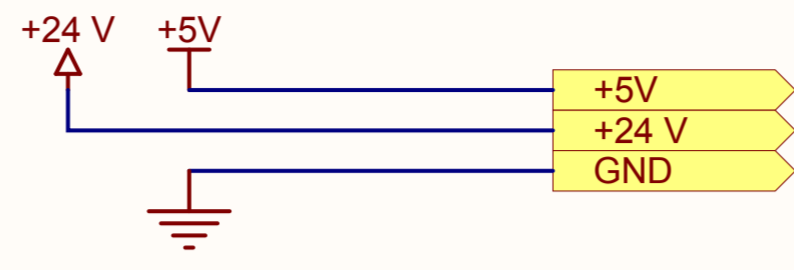
FILE Q:\electrical\COMMON\pcb_sch\DIOP_676\DIG_DBN4.SCH
 PRINTED 1/6/2010 2:48:26 PM
 TEMPLATE: Eost_a23

EOS TECHNOLOGIES, Inc.
 925 W. GRANT RD.
 TUCSON, ARIZONA 85705 USA

TITLE	
DIG_DBN4	
DOCUMENT NUMBER	SIZE
SCH-4038-1	A2
SCALE N/A	SHEET 7 OF 25

DIG_DBN4

SCH-4038-1

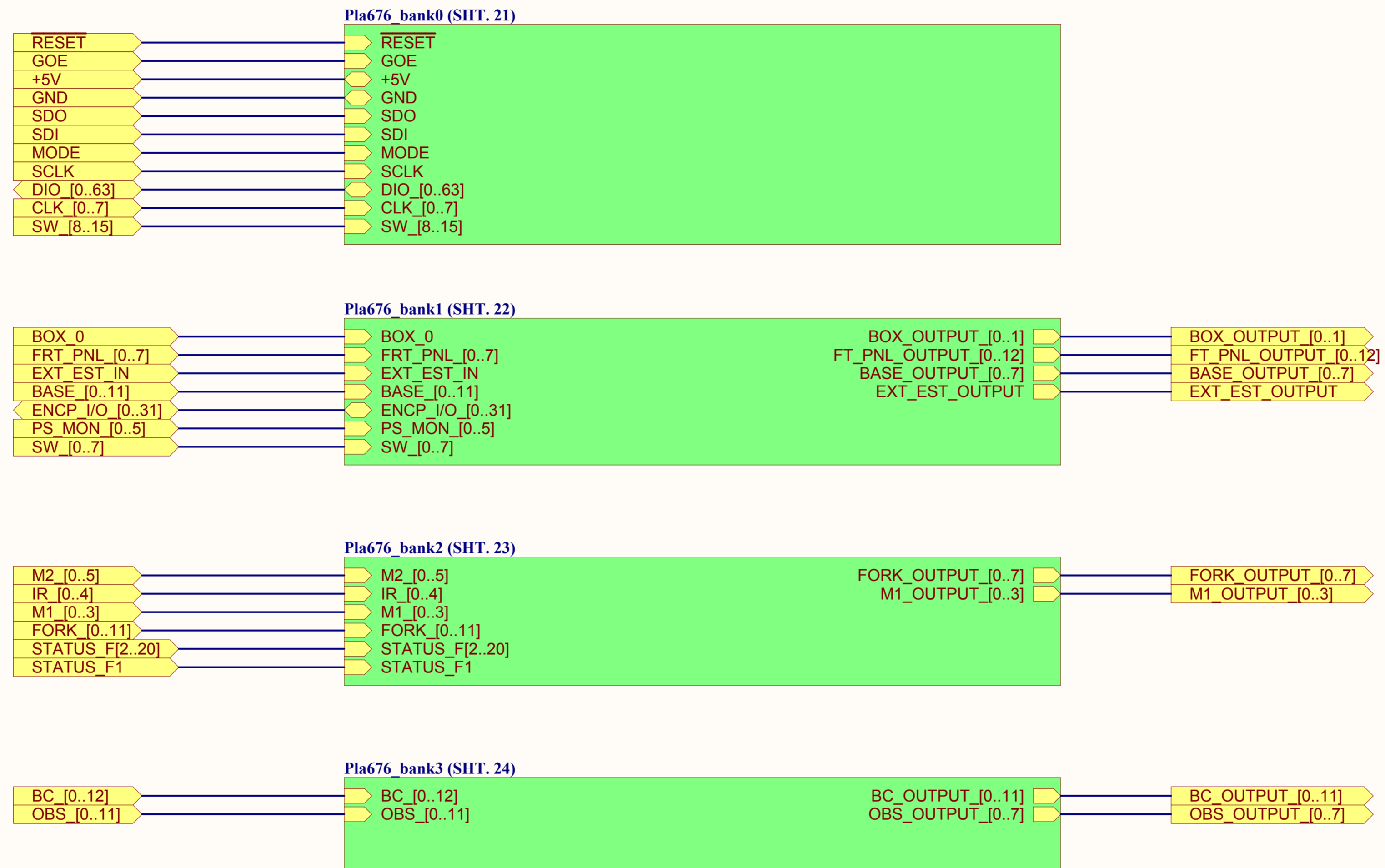


COPYRIGHT
 THIS DOCUMENT & ENCLOSED
 INFORMATION REMAINS THE PROPERTY
 OF EOS TECHNOLOGIES INC.
 INTELLECTUAL PROPERTY AND
 INFORMATION HEREIN MAY NOT BE
 COPIED NOR DISCLOSED WITHOUT
 WRITTEN CONSENT OF EOS
 TECHNOLOGIES, INC. MANAGEMENT.

FILE Q:\electrical\COMMON\pcb_sch\DIOP_676\GENIN_BUF_B.Sch
 PRINTED 1/6/2010 2:48:28 PM
 TEMPLATE: Eost_a23

EOS TECHNOLOGIES, Inc. 925 W. GRANT RD. TUCSON, ARIZONA 85705 USA	
TITLE GENIN_BUF_B	
DOCUMENT NUMBER SCH-4038-1	SIZE A2
SCALE N/A	SHEET 8 OF 25

GENIN_BUF_B
SCH-4038-1



COPYRIGHT
 THIS DOCUMENT & ENCLOSED
 INFORMATION REMAINS THE PROPERTY
 OF EOS TECHNOLOGIES INC.
 INTELLECTUAL PROPERTY AND
 INFORMATION HEREIN MAY NOT BE
 COPIED NOR DISCLOSED WITHOUT
 WRITTEN CONSENT OF EOS
 TECHNOLOGIES, INC. MANAGEMENT.

FILE Q:\electrical\COMMON\pcb_sch\DIOP_676\PLA676.Sch
 PRINTED 1/6/2010 2:48:30 PM
 TEMPLATE: Eost_a23

EOS TECHNOLOGIES, Inc.

925 W. GRANT RD.
 TUCSON, ARIZONA 85705 USA

TITLE

PLA676

DOCUMENT NUMBER

SCH-4038-1

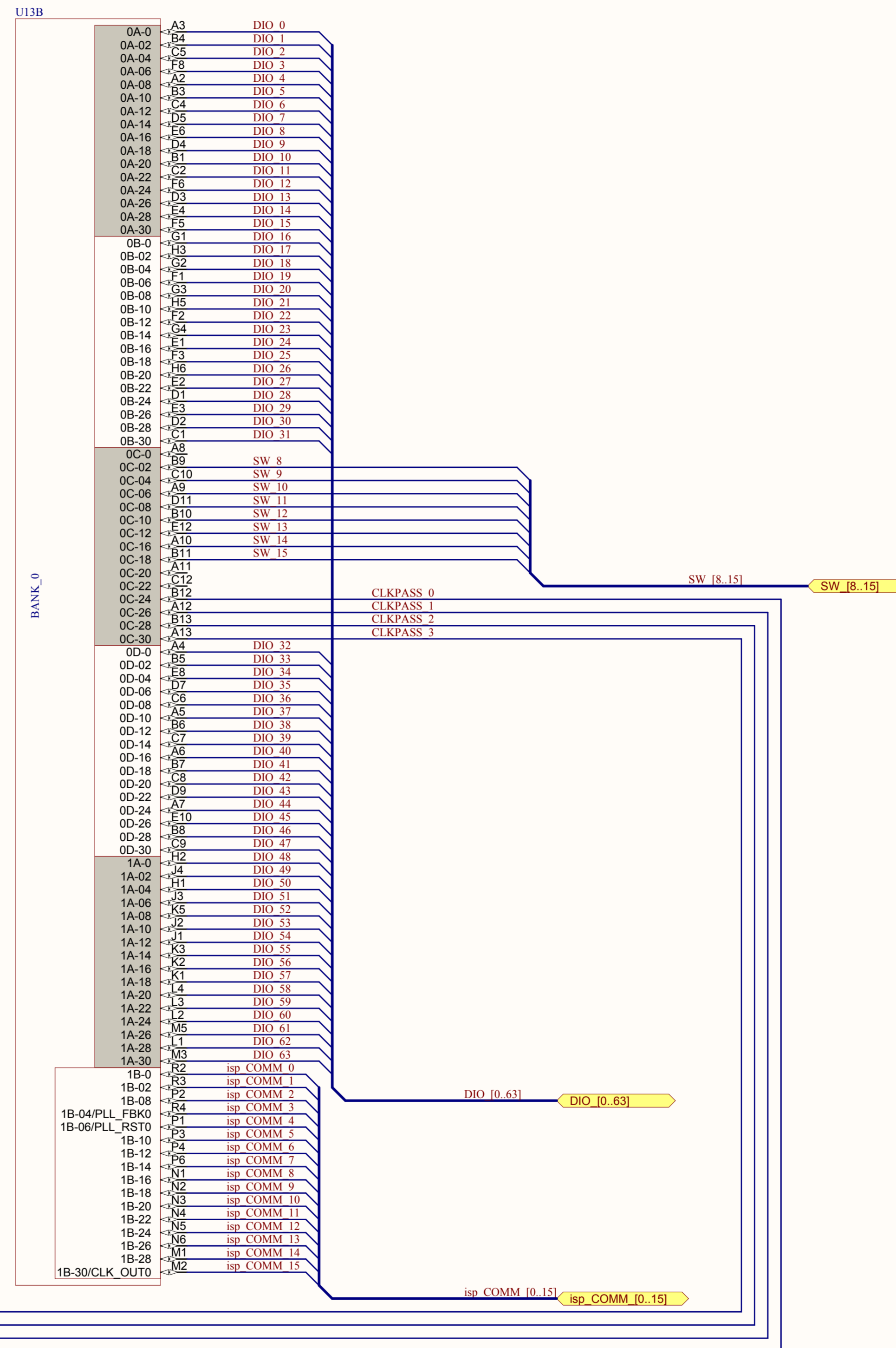
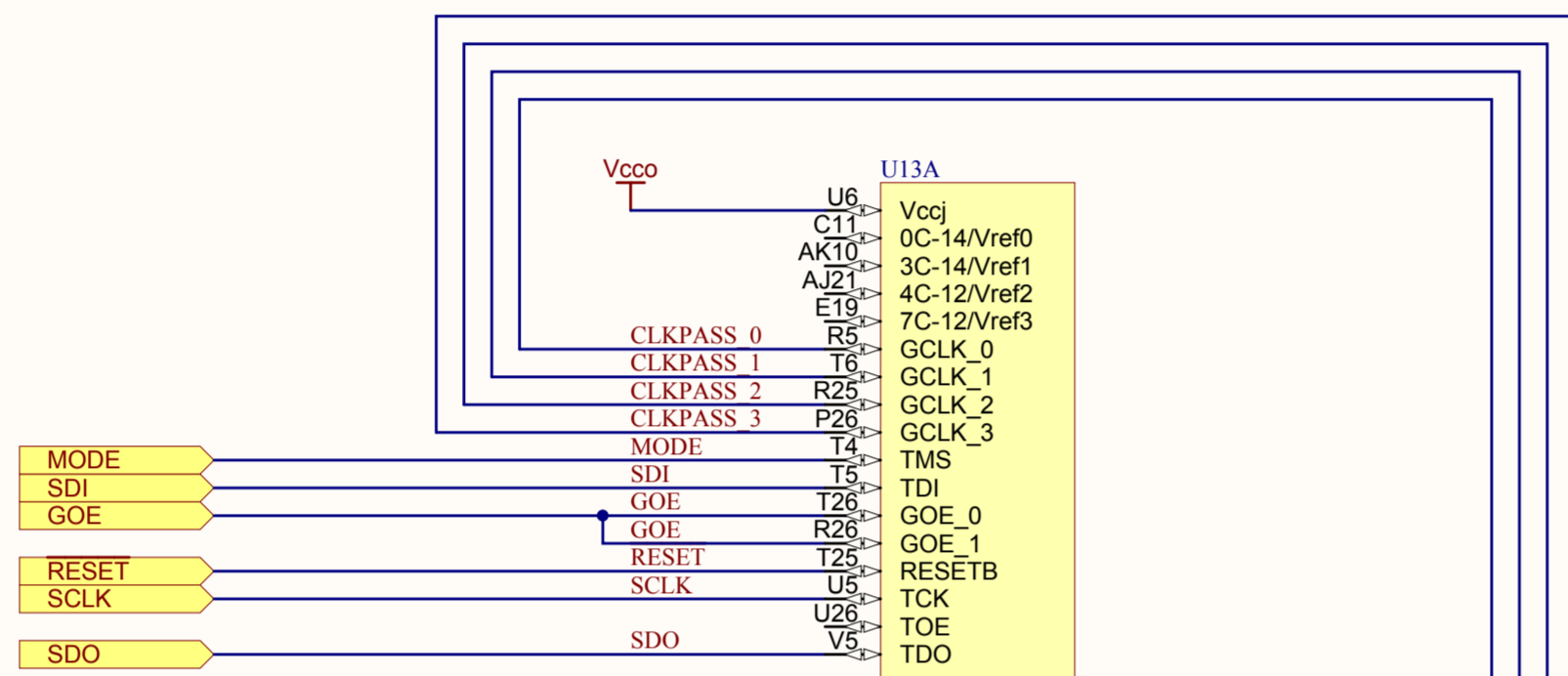
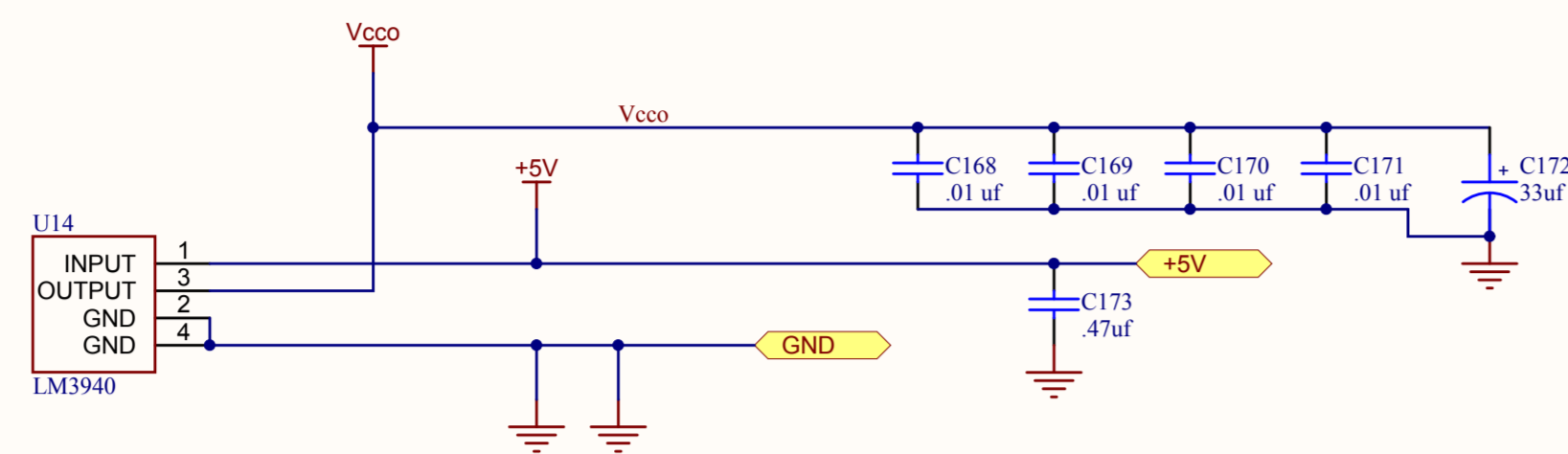
SIZE

A2

SCALE N/A

SHEET 20 OF 25

DRAWING NO

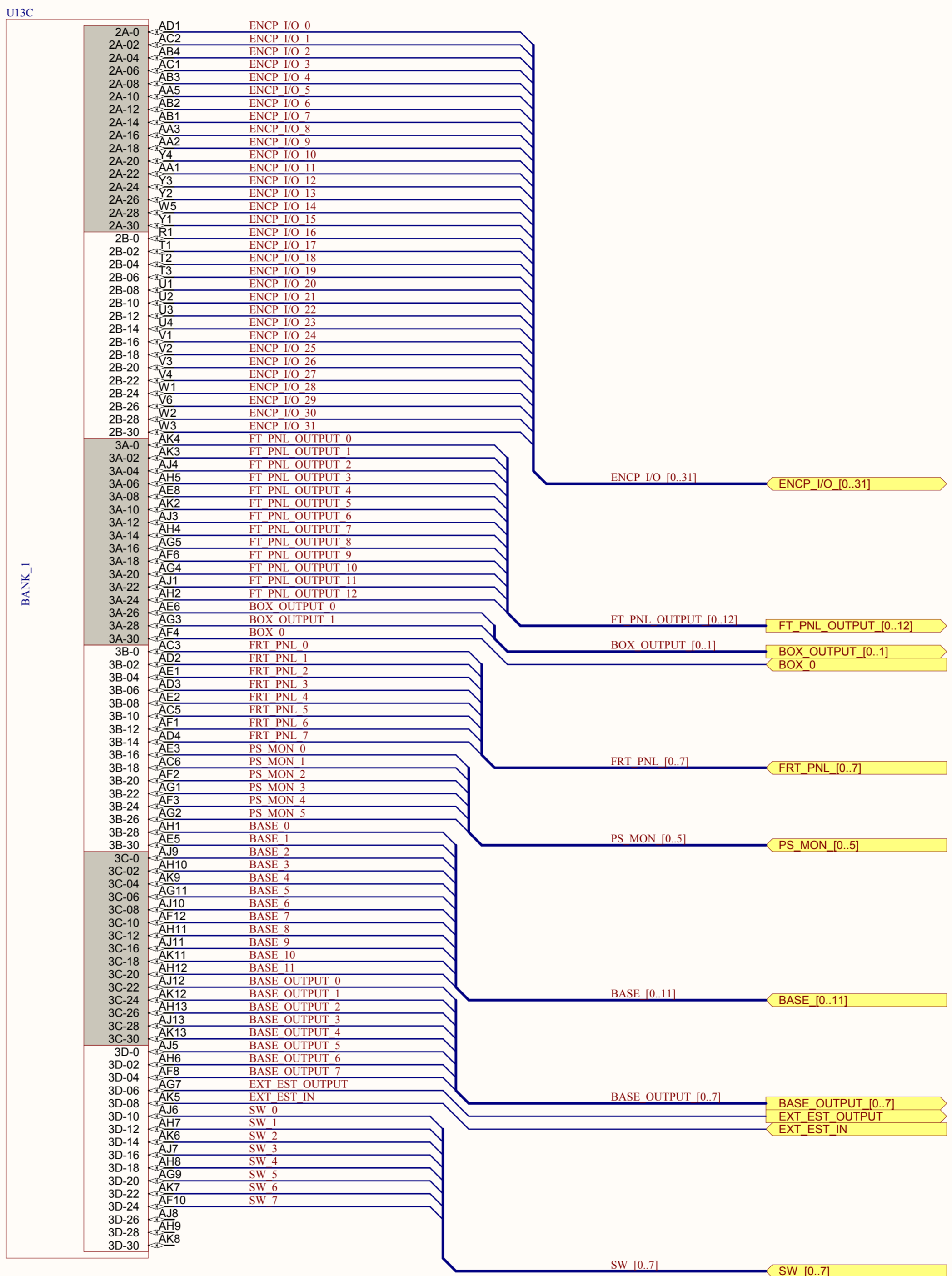


COPYRIGHT
THIS DOCUMENT & ENCLOSED INFORMATION REMAINS THE PROPERTY OF EOS TECHNOLOGIES INC. INTELLECTUAL PROPERTY AND INFORMATION HEREIN MAY NOT BE COPIED NOR DISCLOSED WITHOUT WRITTEN CONSENT OF EOS TECHNOLOGIES, INC. MANAGEMENT.

FILE Q:\electrical\COMMON\pcb_sch\DIOP_676\Pla676_bank0.sch
PRINTED 1/6/2010 2:48:31 PM
TEMPLATE: eos1_A2

DRAWN	DATE	EOS TECHNOLOGIES, Inc. 925 W. GRANT RD. TUCSON, ARIZONA 85705 USA		
DESIGN	DATE	TITLE Pla676_bank0		
CHECKED	DATE	CAGE CODE 08QA1	DOCUMENT NUMBER SCH-4038-1	SIZE B
APPROVED	DATE	SCALE N/A	SHEET 21 OF 25	

DRAWING NO

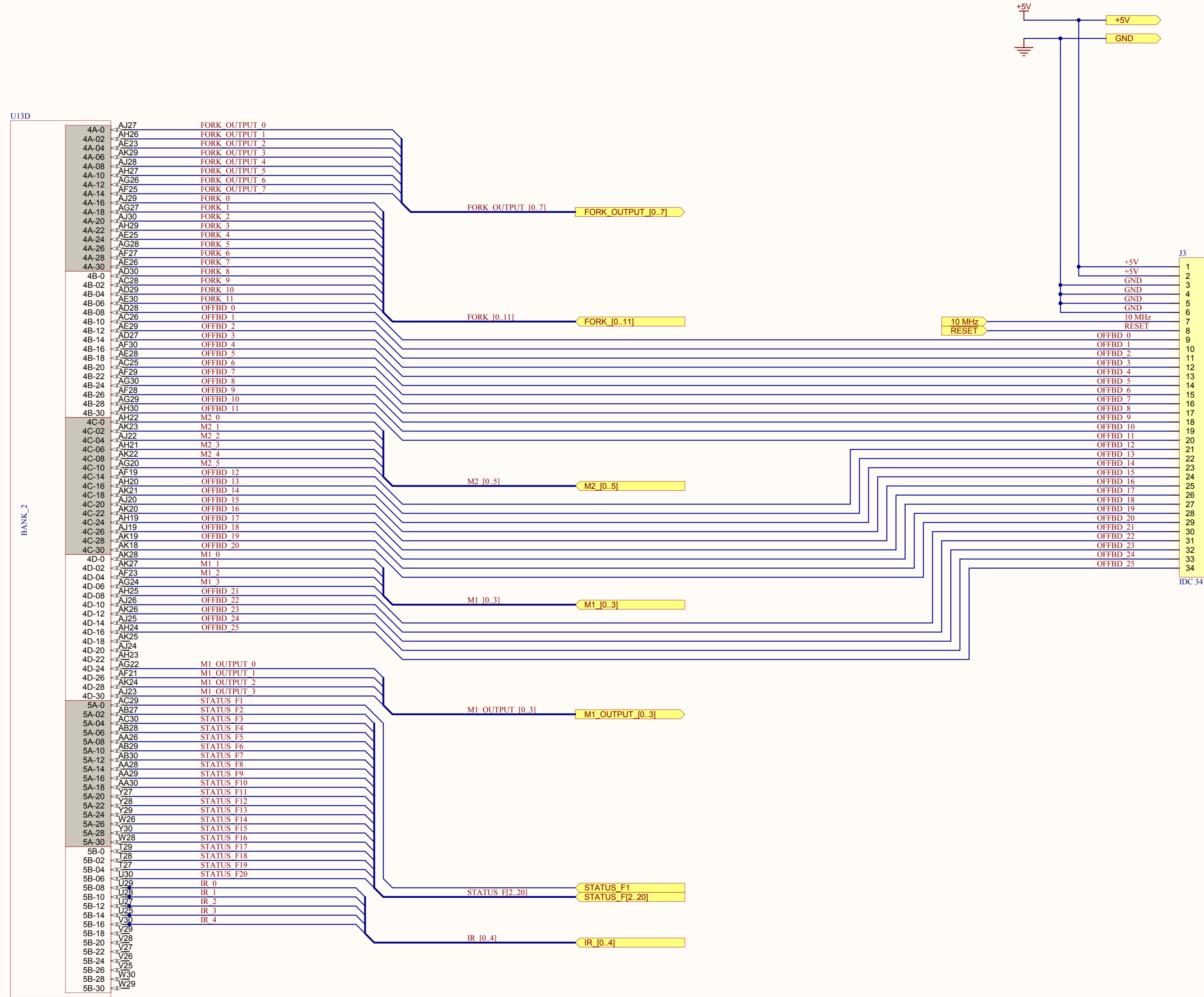


COPYRIGHT
 THIS DOCUMENT & ENCLOSED
 INFORMATION REMAINS THE PROPERTY
 OF EOS TECHNOLOGIES INC.
 INTELLECTUAL PROPERTY AND
 INFORMATION HEREIN MAY NOT BE
 COPIED NOR DISCLOSED WITHOUT
 WRITTEN CONSENT OF EOS
 TECHNOLOGIES, INC. MANAGEMENT.

FILE Q:\electrical\COMMON\pcb_sch\DIOP_676\Pla676_bank1.sch
 PRINTED 1/6/2010 2:48:32 PM
 TEMPLATE: eos1_A2

DRAWN	DATE	EOS TECHNOLOGIES, Inc. 925 W. GRANT RD. TUCSON, ARIZONA 85705 USA		
DESIGN	DATE	TITLE Pla676_bank1		
CHECKED	DATE	CAGE CODE 08QA1	DOCUMENT NUMBER SCH-4038-1	SIZE B
APPROVED	DATE	SCALE N/A	SHEET 22 OF 25	

DRAWING NO



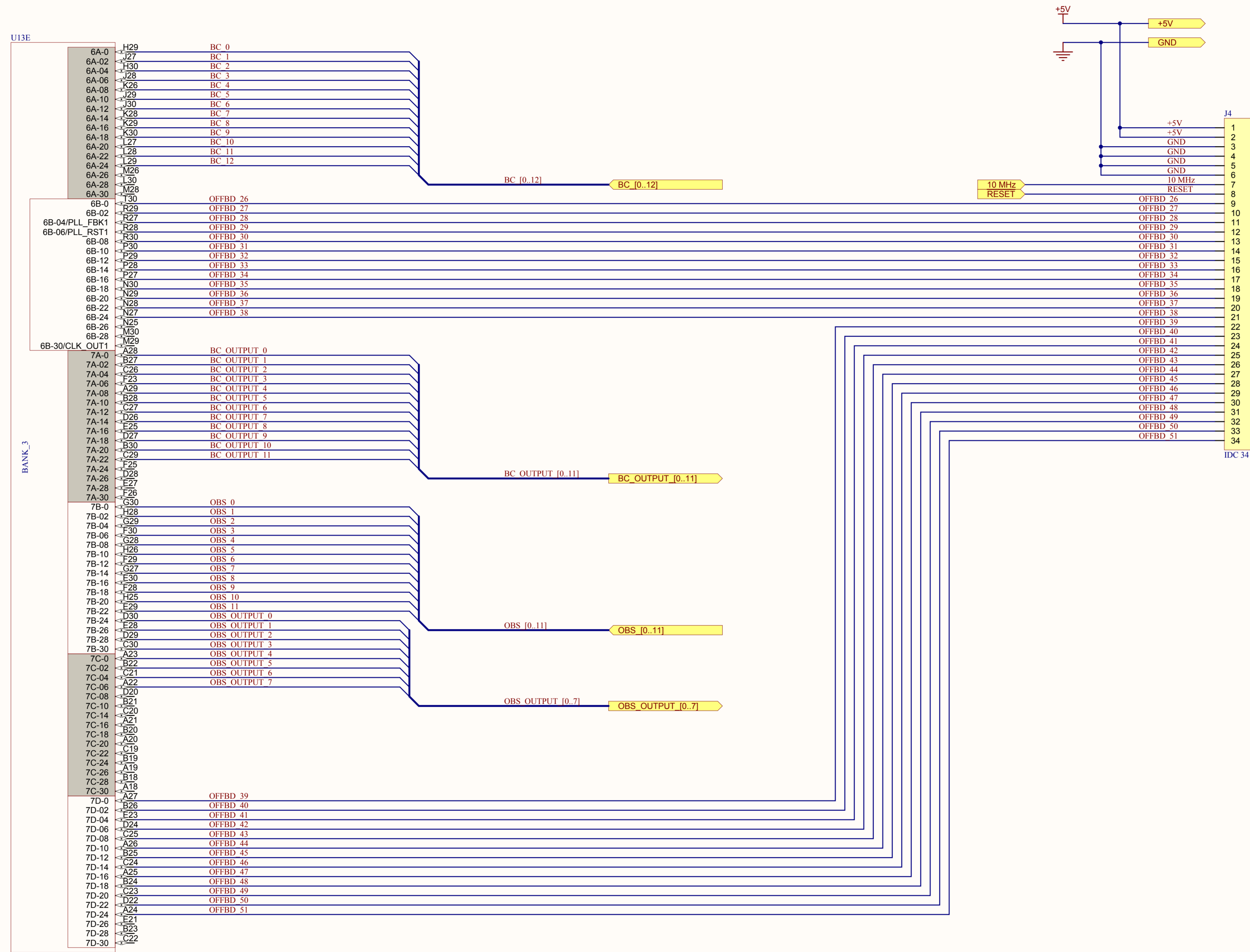
ISPMACH51024

COPYRIGHT
 THIS DOCUMENT & ENCLOSED
 INFORMATION REMAINS THE PROPERTY
 OF EOS TECHNOLOGIES INC.
 INTELLECTUAL PROPERTY AND
 INFORMATION HEREIN MAY NOT BE
 COPIED NOR DISCLOSED WITHOUT
 WRITTEN CONSENT OF EOS
 TECHNOLOGIES, INC. MANAGEMENT.

FILE Q:\electrical\COMMON\pcb_sch\DIOP_676\Pla676_bank2.sch
 PRINTED 1/6/2010 2:48:33 PM
 TEMPLATE: eos1_A2

DRAWN	DATE	EOS TECHNOLOGIES, Inc. 925 W. GRANT RD. TUCSON, ARIZONA 85705 USA		
DESIGN	DATE	TITLE Pla676_bank2		
CHECKED	DATE	CAGE CODE 08QA1	DOCUMENT NUMBER SCH-4038-1	SIZE B
APPROVED	DATE	SCALE N/A	SHEET 23 OF 25	

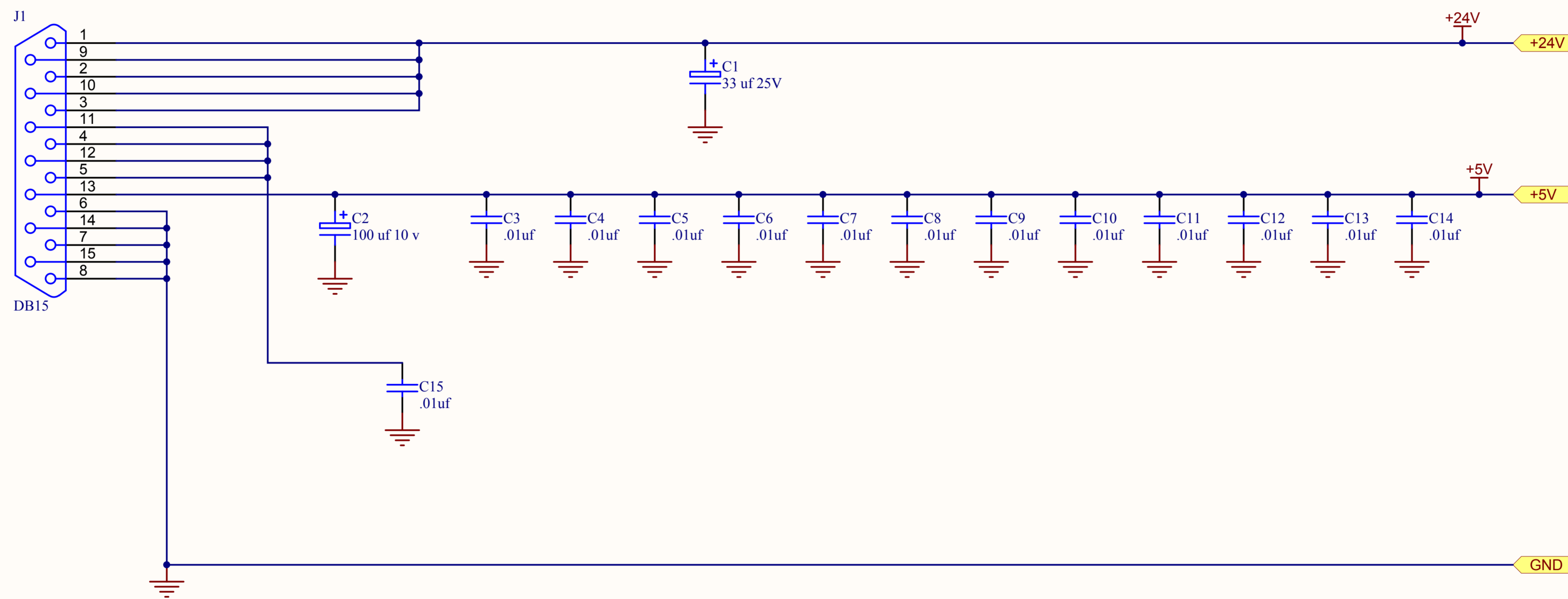
DRAWING NO



COPYRIGHT
 THIS DOCUMENT & ENCLOSED
 INFORMATION REMAINS THE PROPERTY
 OF EOS TECHNOLOGIES INC.
 INTELLECTUAL PROPERTY AND
 INFORMATION HEREIN MAY NOT BE
 COPIED NOR DISCLOSED WITHOUT
 WRITTEN CONSENT OF EOS
 TECHNOLOGIES, INC. MANAGEMENT.

FILE Q:\electrical\COMMON\pcb_sch\DIOP_676\Pla676_bank3.sch
 PRINTED 1/6/2010 2:48:34 PM
 TEMPLATE: eos1_A2

DRAWN	DATE	EOS TECHNOLOGIES, Inc. 925 W. GRANT RD. TUCSON, ARIZONA 85705 USA		
DESIGN	DATE	TITLE Pla676_bank3		
CHECKED	DATE	CAGE CODE 08QA1	DOCUMENT NUMBER SCH-4038-1	SIZE B
APPROVED	DATE	SCALE N/A	SHEET 24 OF 25	



COPYRIGHT
 THIS DOCUMENT & ENCLOSED
 INFORMATION REMAINS THE PROPERTY
 OF EOS TECHNOLOGIES INC.
 INTELLECTUAL PROPERTY AND
 INFORMATION HEREIN MAY NOT BE
 COPIED NOR DISCLOSED WITHOUT
 WRITTEN CONSENT OF EOS
 TECHNOLOGIES, INC. MANAGEMENT.

FILE Q:\electrical\COMMON\pcb_sch\DIOP_676\POWER.SCH
 PRINTED 1/6/2010 2:48:35 PM
 TEMPLATE: Eost_a23

EOS TECHNOLOGIES, Inc.

925 W. GRANT RD.
 TUCSON, ARIZONA 85705 USA

TITLE

POWER

DOCUMENT NUMBER

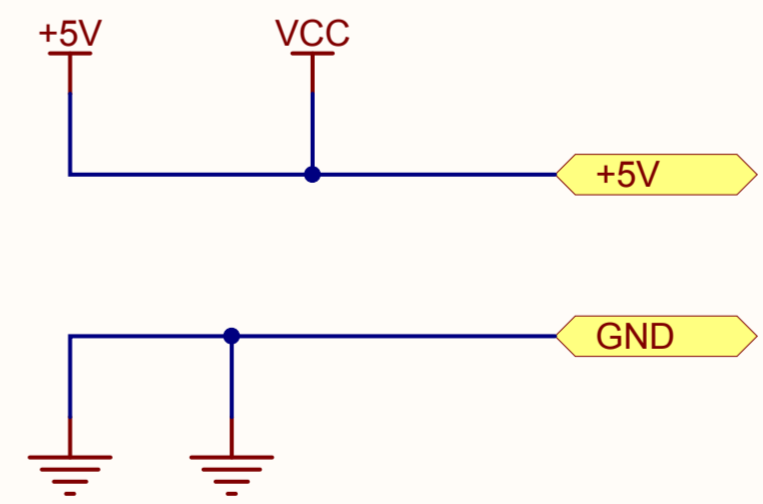
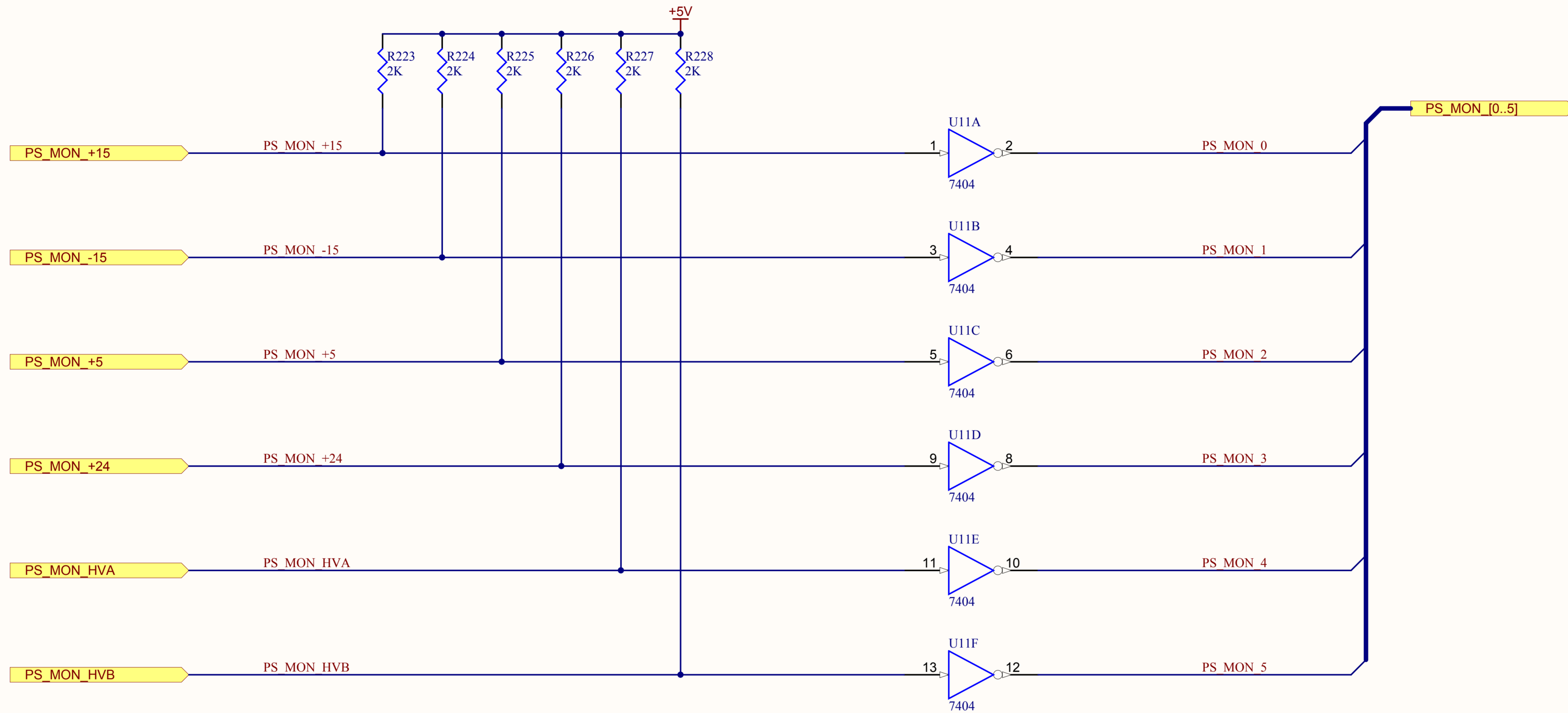
SCH-4038-1

SIZE

A2

SCALE N/A

SHEET 25 OF 25



COPYRIGHT
 THIS DOCUMENT & ENCLOSED
 INFORMATION REMAINS THE PROPERTY
 OF EOS TECHNOLOGIES INC.
 INTELLECTUAL PROPERTY AND
 INFORMATION HEREIN MAY NOT BE
 COPIED NOR DISCLOSED WITHOUT
 WRITTEN CONSENT OF EOS
 TECHNOLOGIES, INC. MANAGEMENT.

FILE Q:\electrical\COMMON\pcb_sch\DIOP_676\PS_MON_BUF.Sch
 PRINTED 1/6/2010 2:48:36 PM
 TEMPLATE: Eost_a23

EOS TECHNOLOGIES, Inc.

925 W. GRANT RD.
 TUCSON, ARIZONA 85705 USA

TITLE

PS_MON_BUF

DOCUMENT NUMBER

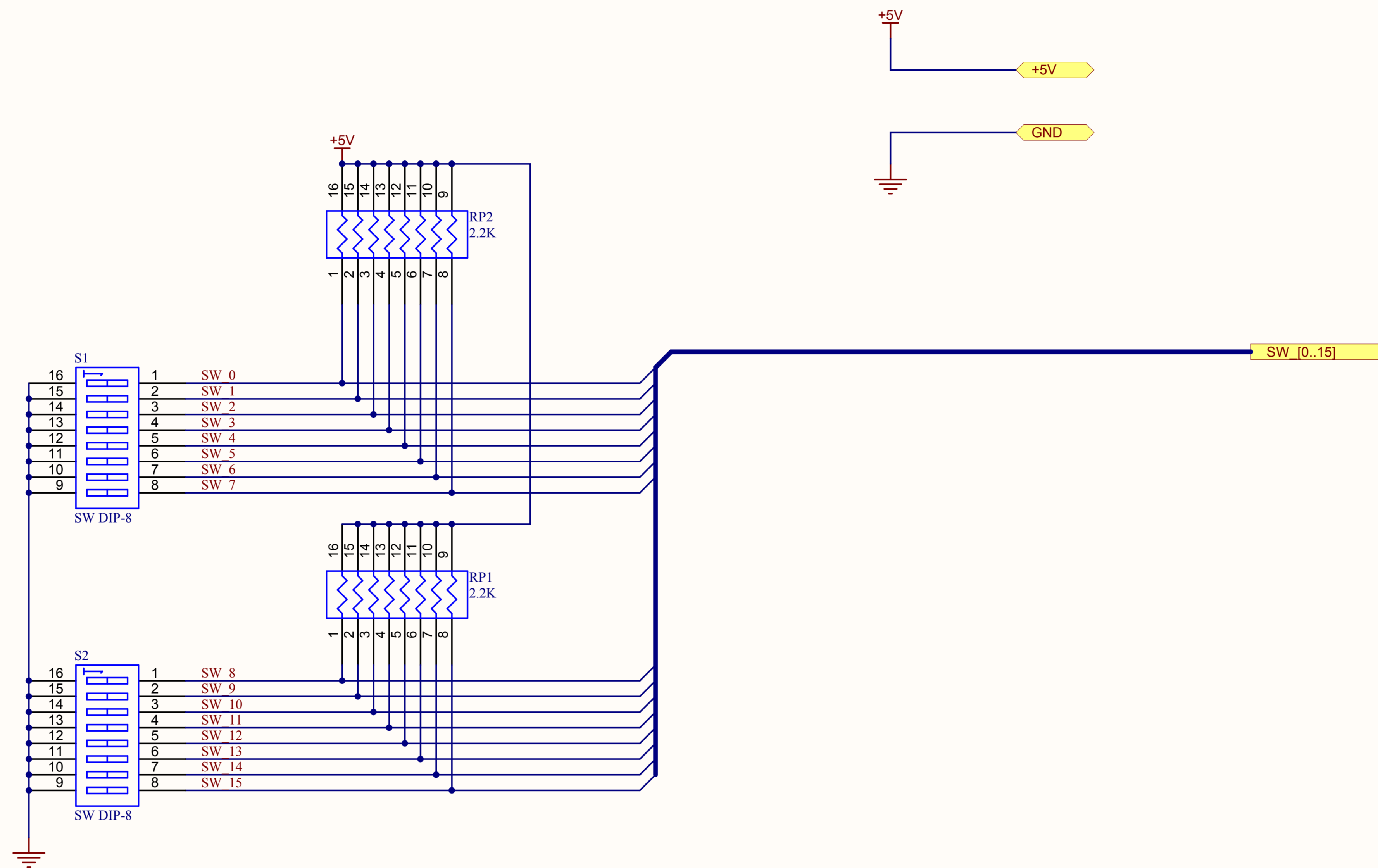
SCH-4038-1

SIZE

A2

SCALE N/A

SHEET 14 OF 25



COPYRIGHT
 THIS DOCUMENT & ENCLOSED
 INFORMATION REMAINS THE PROPERTY
 OF EOS TECHNOLOGIES INC.
 INTELLECTUAL PROPERTY AND
 INFORMATION HEREIN MAY NOT BE
 COPIED NOR DISCLOSED WITHOUT
 WRITTEN CONSENT OF EOS
 TECHNOLOGIES, INC. MANAGEMENT.

FILE Q:\electrical\COMMON\pcb_sch\DIOP_676\SWITCH.SCH
 PRINTED 1/6/2010 2:48:36 PM
 TEMPLATE: Eost_a23

EOS TECHNOLOGIES, Inc.

925 W. GRANT RD.
 TUCSON, ARIZONA 85705 USA

TITLE

SWITCH

DOCUMENT NUMBER

SCH-4038-1

SIZE

A2

SCALE N/A

SHEET 16 OF 25