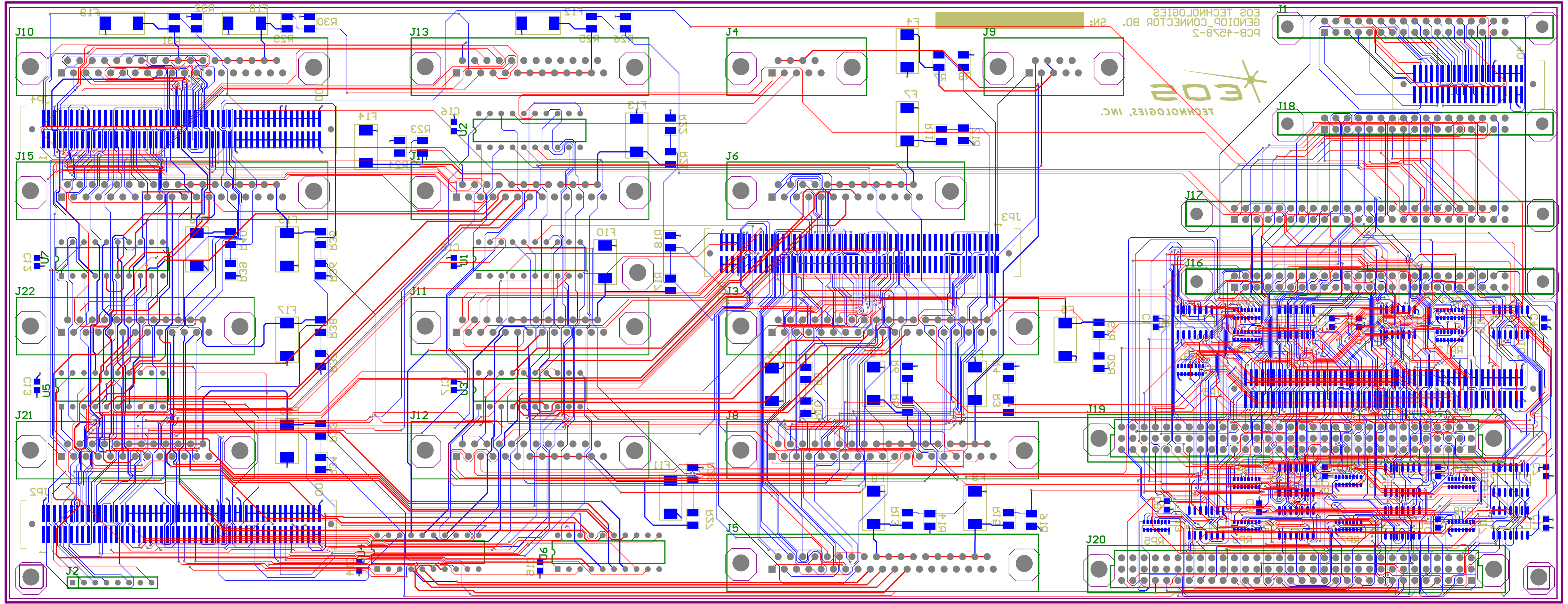


GENDI_00_CONN



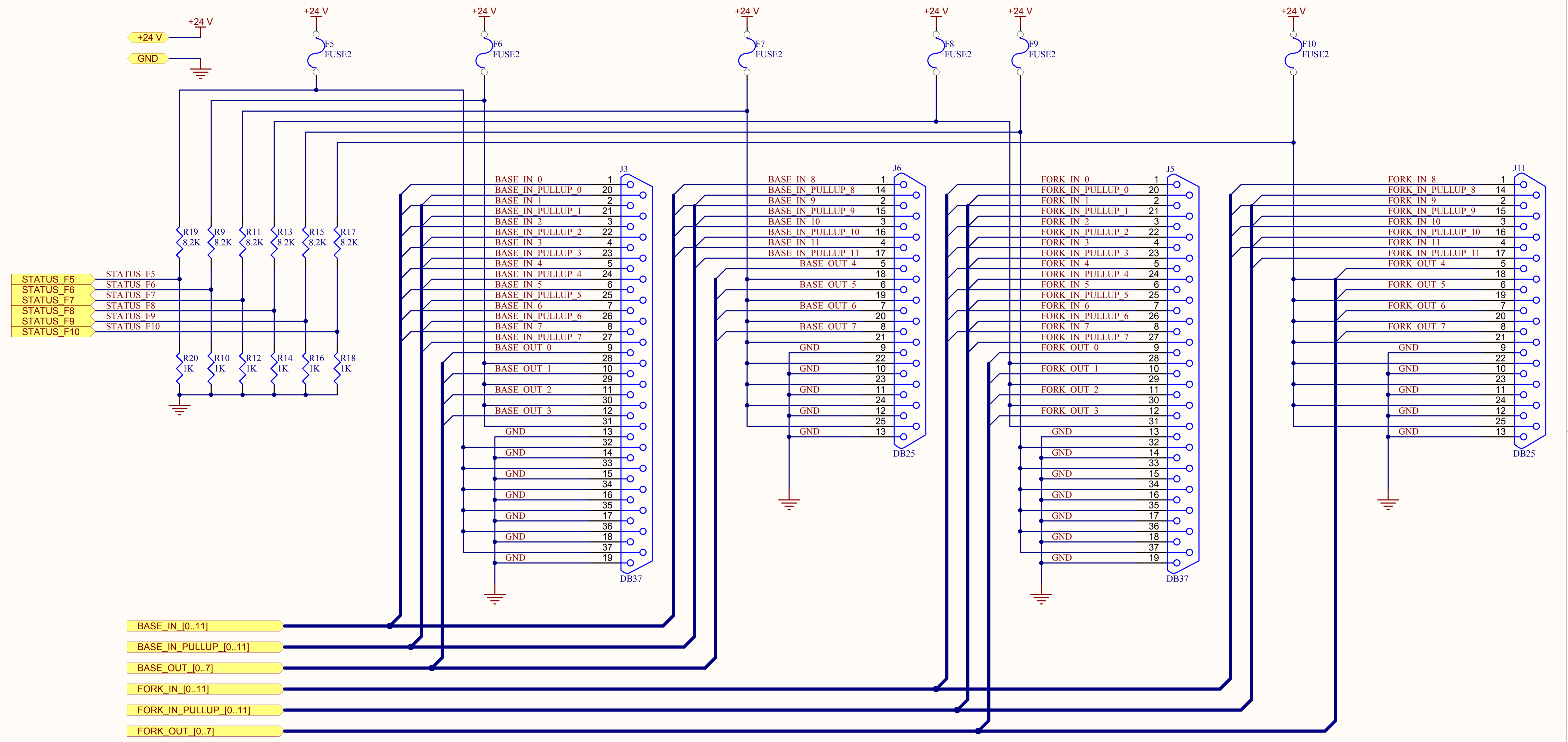
230mil

230mil

13805mil

5325mil

ISSUE	DATE	DESCRIPTION	CHECKED	APPROVED	ZONE
1		INITIAL RELEASE			



COPYRIGHT
 THIS DOCUMENT & ENCLOSED INFORMATION REMAINS THE PROPERTY OF EOS TECHNOLOGIES INC. INTELLECTUAL PROPERTY AND INFORMATION HEREIN MAY NOT BE COPIED NOR DISCLOSED WITHOUT WRITTEN CONSENT OF EOS TECHNOLOGIES, INC. MANAGEMENT.

FILE Q:\electrical\COMMON\pcb_sch\DIOP_CONN\BASE_FORK_CONN.Sch
 PRINTED 1/6/2010 3:12:03 PM
 TEMPLATE: Eost_a23

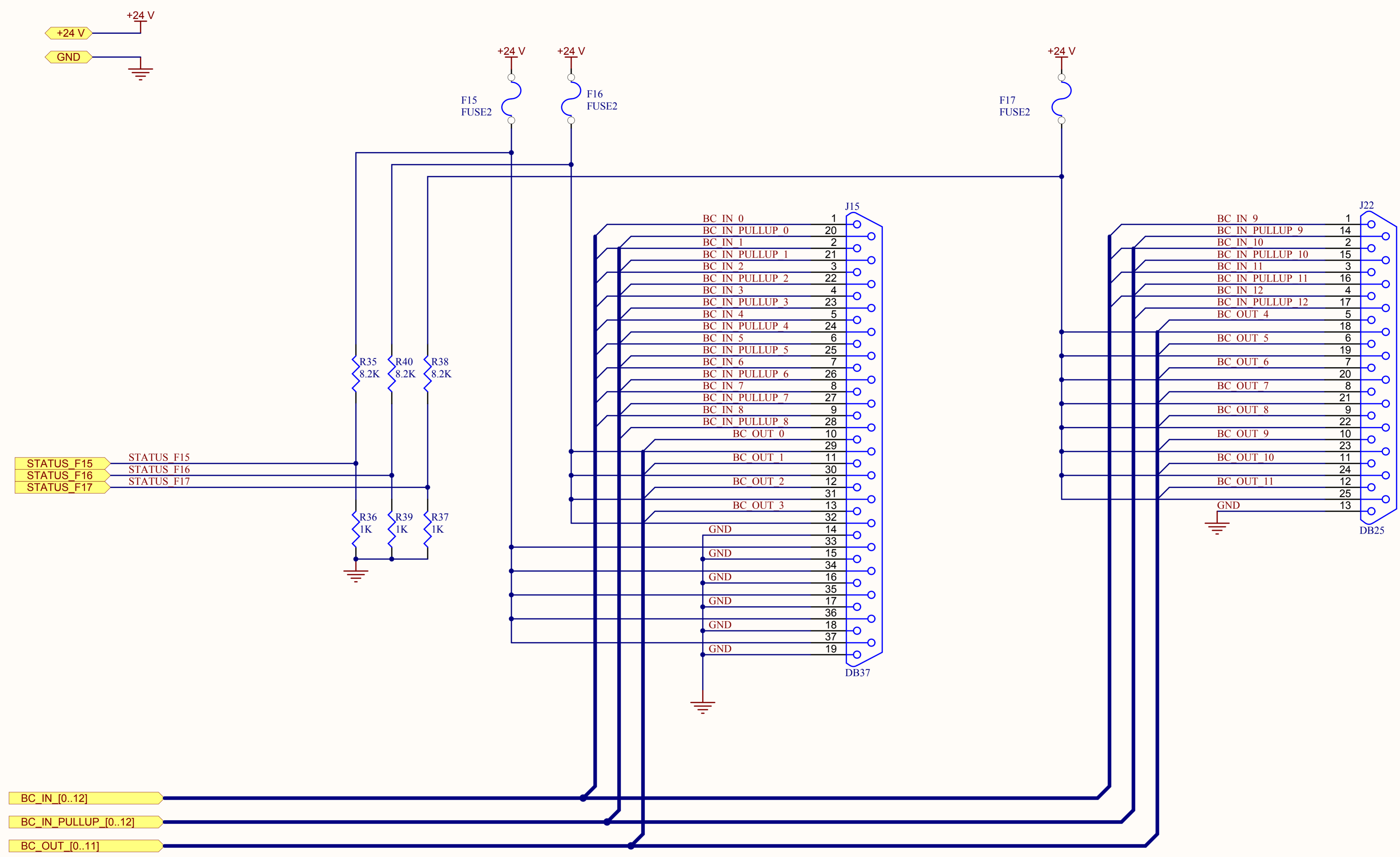
DRAWN Cannot open file SAELECTRICAL_F ORMS\BC.jpg	DATE 1/6/2010
DESIGN Cannot open file SAELECTRICAL_F ORMS\BC.jpg	DATE 1/6/2010
CHECKED Cannot open file SAELECTRICAL_F ORMS\BC.jpg	DATE 1/6/2010
APPROVED Cannot open file SAELECTRI	DATE 1/6/2010

EOS TECHNOLOGIES, Inc. 925 W. GRANT RD. TUCSON, ARIZONA 85705 USA		
TITLE BASE_FORK_CONN		
CAGE CODE 08QA1	DOCUMENT NUMBER CAD-T3195-1	SIZE A2
SCALE N/A	SHEET 7 OF 14	

BASE_FORK_CONN
CAD-T3195-1

DRAWING NO
CAD-T3198-1
 USED ON

ISSUE	DATE	DESCRIPTION	CHECKED	APPROVED	ZONE
1		INITIAL RELEASE			



COPYRIGHT
 THIS DOCUMENT & ENCLOSED INFORMATION REMAINS THE PROPERTY OF EOS TECHNOLOGIES INC. INTELLECTUAL PROPERTY AND INFORMATION HEREIN MAY NOT BE COPIED NOR DISCLOSED WITHOUT WRITTEN CONSENT OF EOS TECHNOLOGIES, INC. MANAGEMENT.

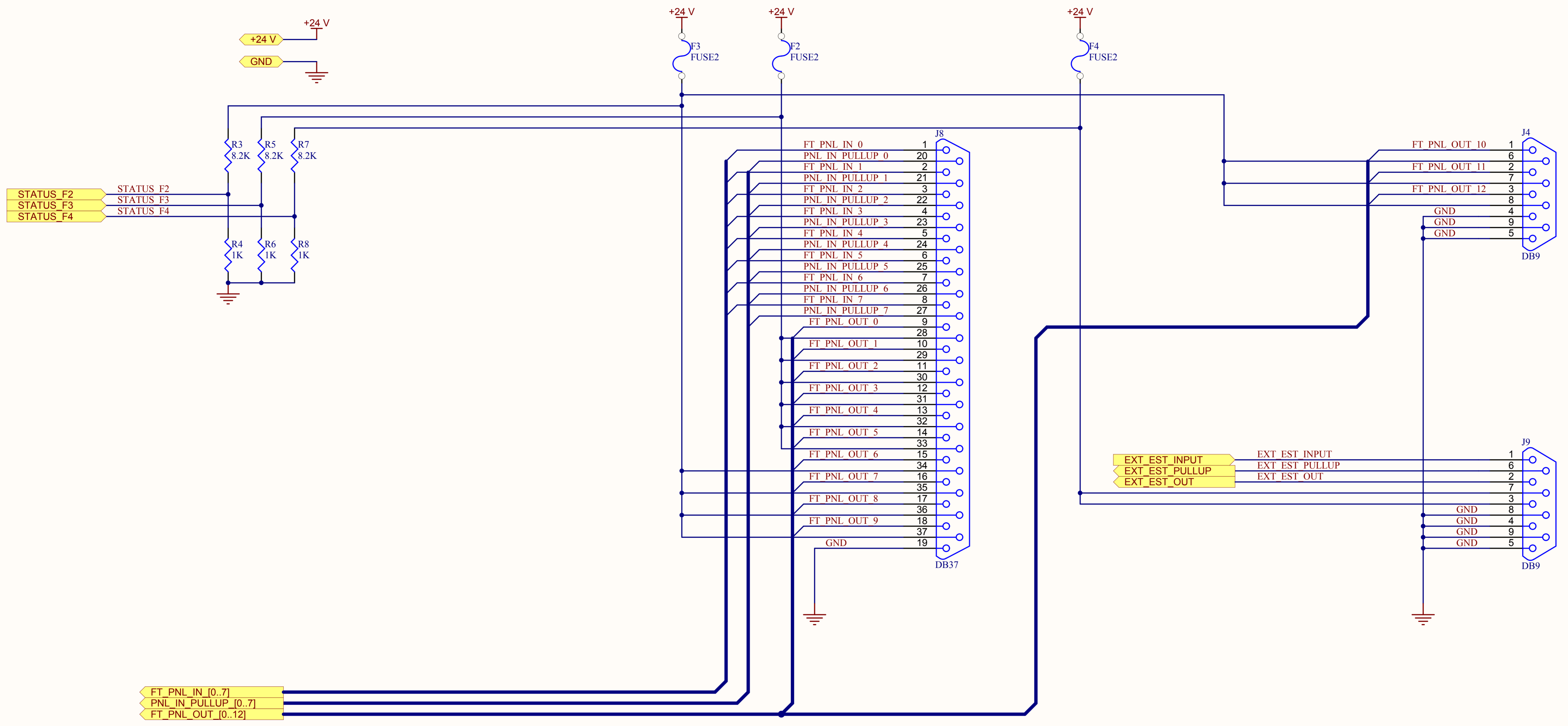
FILE Q:\electrical\COMMON\pcb_sch\DIOP_CONN\BC_CONN.Sch
 PRINTED 1/6/2010 3:12:06 PM
 TEMPLATE: Eost_a23

DRAWN Cannot open file SAELECTRICAL_F ORMS\JMJC.jpg	DATE 1/6/2010
DESIGN Cannot open file SAELECTRICAL_F ORMS\BC.jpg	DATE 1/6/2010
CHECKED Cannot open file SAELECTRICAL_F ORMS\BC.jpg	DATE 1/6/2010
APPROVED Cannot open file SAELECTRI	DATE 1/6/2010

EOS TECHNOLOGIES, Inc. 925 W. GRANT RD. TUCSON, ARIZONA 85705 USA		
TITLE BC_CONN		
CAGE CODE 08QA1	DOCUMENT NUMBER CAD-T3198-1	SIZE A2
SCALE N/A	SHEET 10 OF 14	

BC_CONN
CAD-T3198-1

ISSUE	DATE	DESCRIPTION	CHECKED	APPROVED	ZONE
1		INITIAL RELEASE			



COPYRIGHT
 THIS DOCUMENT & ENCLOSED
 INFORMATION REMAINS THE PROPERTY
 OF EOS TECHNOLOGIES INC.
 INTELLECTUAL PROPERTY AND
 INFORMATION HEREIN MAY NOT BE
 COPIED NOR DISCLOSED WITHOUT
 WRITTEN CONSENT OF EOS
 TECHNOLOGIES, INC. MANAGEMENT.

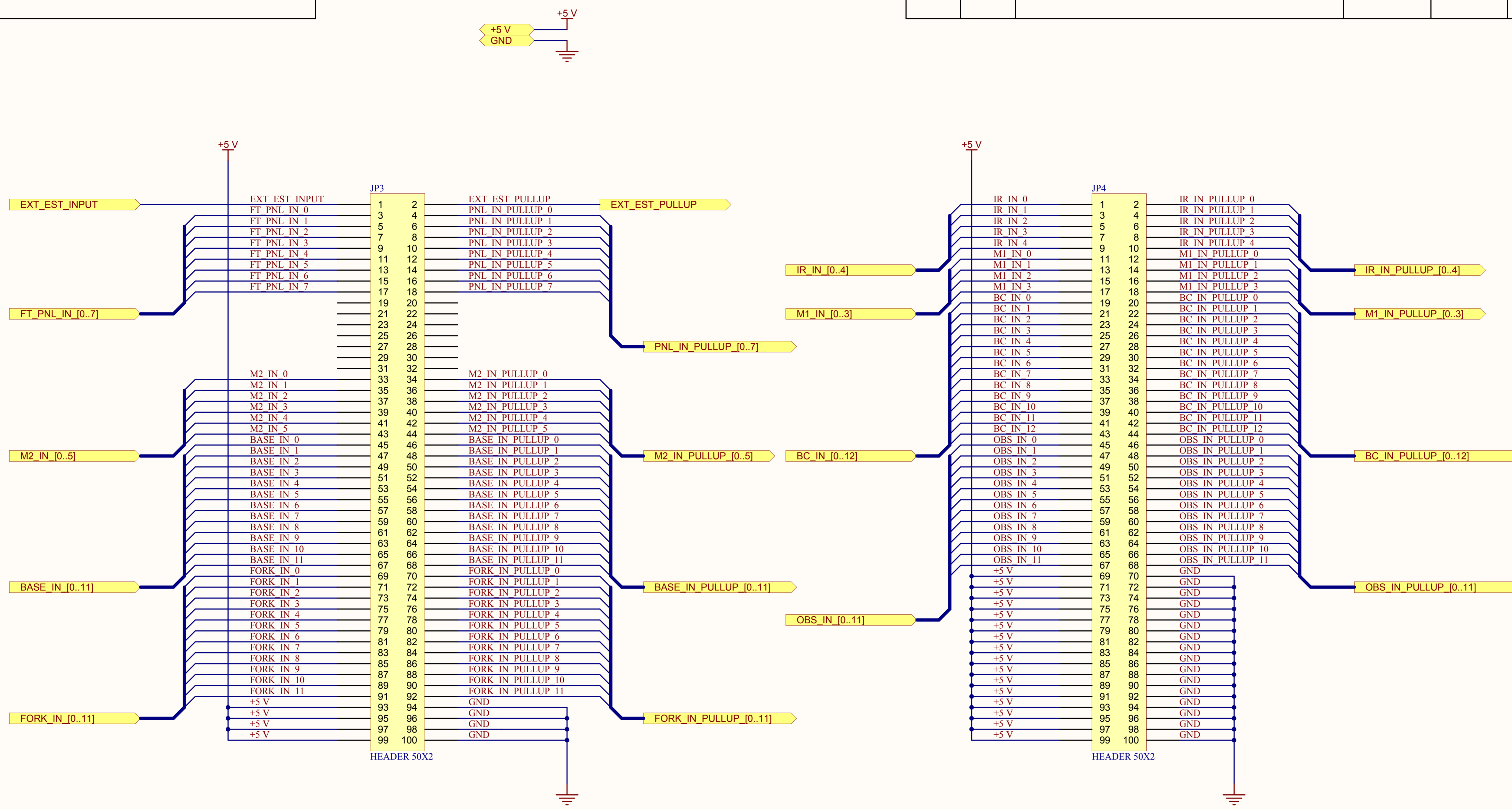
FILE Q:\electrical\COMMON\pcb_sch\DIOP_CONN\CAB_CONN.Sch
 PRINTED 1/6/2010 3:12:07 PM
 TEMPLATE: Eost_a23

DRAWN Cannot open file SAELECTRICAL_F ORMS\BC.jpg	DATE 1/6/2010
DESIGN Cannot open file SAELECTRICAL_F ORMS\BC.jpg	DATE 1/6/2010
CHECKED Cannot open file SAELECTRICAL_F ORMS\BC.jpg	DATE 1/6/2010
APPROVED Cannot open file SAELECTRI	DATE 1/6/2010

EOS TECHNOLOGIES, Inc. 925 W. GRANT RD. TUCSON, ARIZONA 85705 USA		
TITLE CAB_CONN		
CAGE CODE 08QA1	DOCUMENT NUMBER CAD-T3194-1	SIZE A2
SCALE N/A	SHEET 6 OF 14	

CAB_CONN
CAD-T3194-1

ISSUE	DATE	DESCRIPTION	CHECKED	APPROVED	ZONE
1		INITIAL RELEASE			



COPYRIGHT
 THIS DOCUMENT & ENCLOSED INFORMATION REMAINS THE PROPERTY OF EOS TECHNOLOGIES INC. INTELLECTUAL PROPERTY AND INFORMATION HEREIN MAY NOT BE COPIED NOR DISCLOSED WITHOUT WRITTEN CONSENT OF EOS TECHNOLOGIES, INC. MANAGEMENT.

FILE Q:\electrical\COMMON\pcb_sch\DIOP_CONN\IDB_CONN.Sch
 PRINTED 1/6/2010 3:12:08 PM
 TEMPLATE: Eost_a23

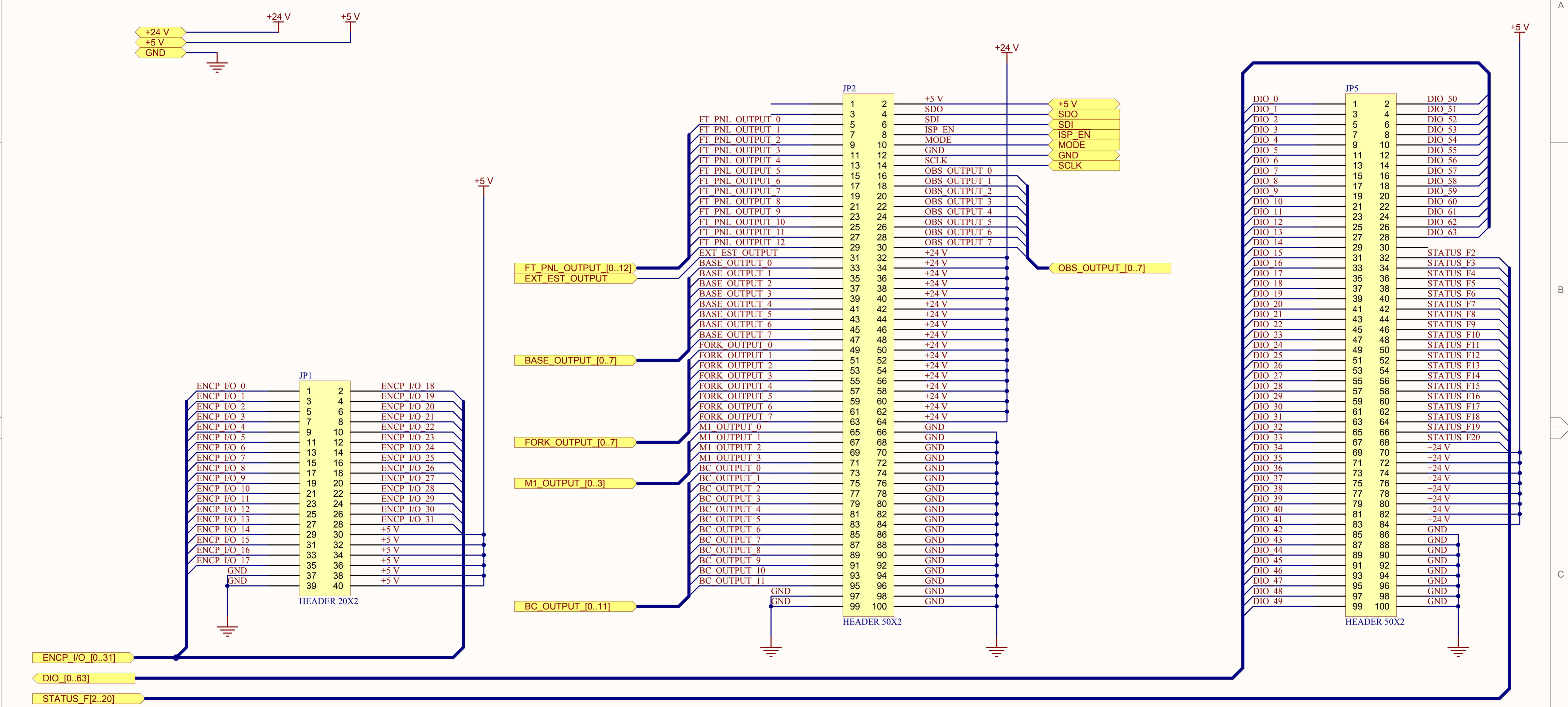
DRAWN Cannot open file SAELECTRICAL_F ORMS\JMC.jpg	DATE 1/6/2010
DESIGN Cannot open file SAELECTRICAL_F ORMS\BC.jpg	DATE 1/6/2010
CHECKED Cannot open file SAELECTRICAL_F ORMS\BC.jpg	DATE 1/6/2010
APPROVED Cannot open file SAELECTRI	DATE 1/6/2010

EOS TECHNOLOGIES, Inc.		
925 W. GRANT RD. TUCSON, ARIZONA 85705 USA		
TITLE DB_CONN		
CAGE CODE 08QA1	DOCUMENT NUMBER CAD-T3193-1	SIZE A2
SCALE N/A	SHEET 4 OF 14	

DRAWING NO
CAD-T3201-1

USED ON

ISSUE	DATE	DESCRIPTION	CHECKED	APPROVED	ZONE
1		INITIAL RELEASE			



COPYRIGHT
THIS DOCUMENT & ENCLOSED INFORMATION REMAINS THE PROPERTY OF EOS TECHNOLOGIES INC. INTELLECTUAL PROPERTY AND INFORMATION HEREIN MAY NOT BE COPIED NOR DISCLOSED WITHOUT WRITTEN CONSENT OF EOS TECHNOLOGIES, INC. MANAGEMENT.

FILE Q:\electrical\COMMON\pcb_sch\DIOP_CONN\DB_CONN_B.sch
PRINTED 1/6/2010 3:12:09 PM
TEMPLATE: Eost_a23

DRAWN
Cannot open file
SAELECTRICAL_F
ORMS\JMC.jpg 1/6/2010

DESIGN
Cannot open file
SAELECTRICAL_F
ORMS\BC.jpg 1/6/2010

CHECKED
Cannot open file
SAELECTRICAL_F
ORMS\BC.jpg 1/6/2010

APPROVED
Cannot open file
SAELECTRI 1/6/2010

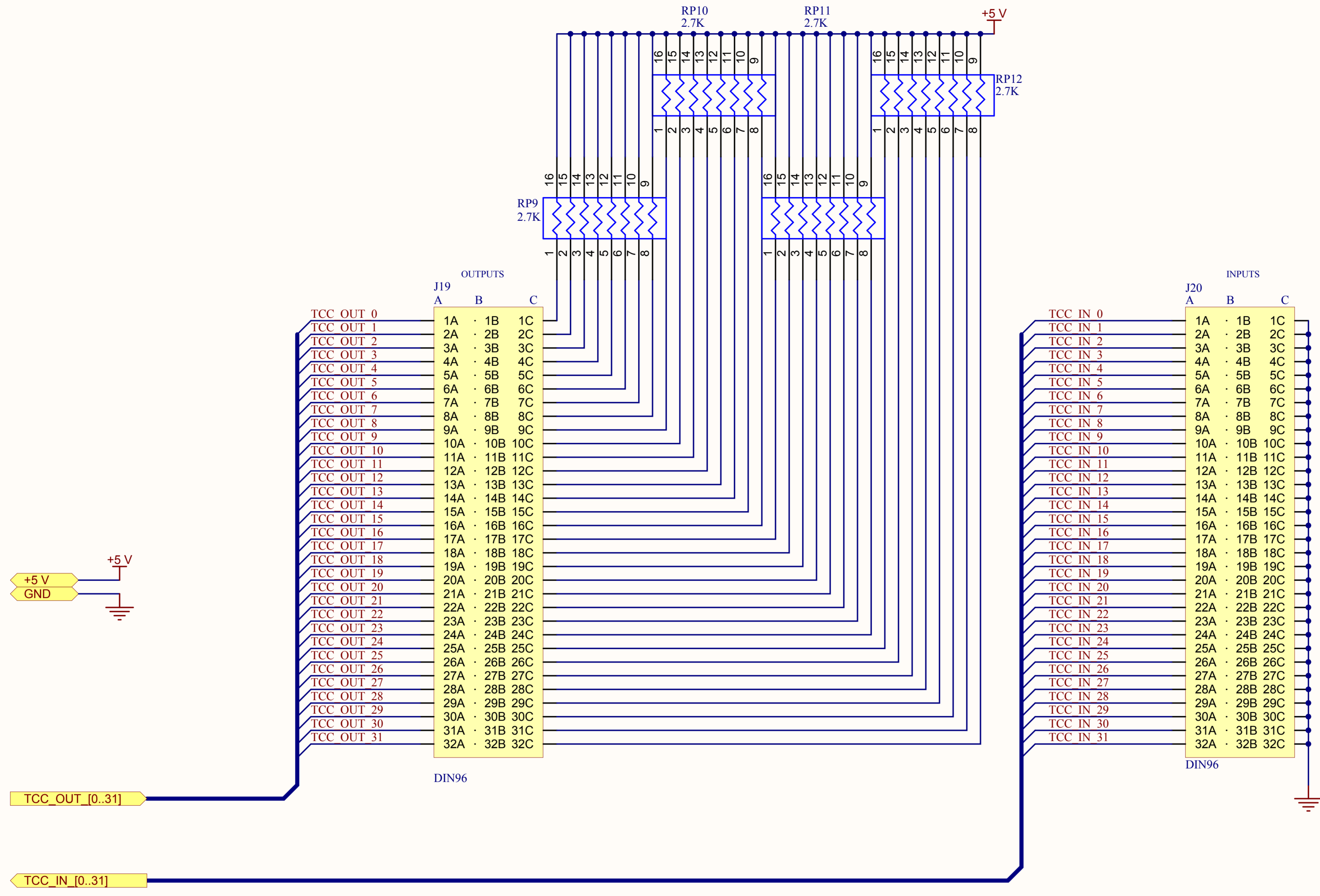
EOS TECHNOLOGIES, Inc.
925 W. GRANT RD.
TUCSON, ARIZONA 85705 USA

TITLE
DB_CONN_B

CAGE CODE 08QA1	DOCUMENT NUMBER CAD-T3201-1	SIZE A2
SCALE N/A	SHEET 13 OF 14	

DRAWING NO
CAD-T3202-1
 USED ON

ISSUE	DATE	DESCRIPTION	CHECKED	APPROVED	ZONE
1		INITIAL RELEASE			



COPYRIGHT
 THIS DOCUMENT & ENCLOSED INFORMATION REMAINS THE PROPERTY OF EOS TECHNOLOGIES INC. INTELLECTUAL PROPERTY AND INFORMATION HEREIN MAY NOT BE COPIED NOR DISCLOSED WITHOUT WRITTEN CONSENT OF EOS TECHNOLOGIES, INC. MANAGEMENT.

FILE Q:\electrical\COMMON\pcb_sch\DIOP_CONN\diopin96.Sch
 PRINTED 1/6/2010 3:12:10 PM
 TEMPLATE: Eost_a23

DRAWN Cannot open file SAELECTRICAL_F ORMS\BC.jpg	DATE 1/6/2010
DESIGN Cannot open file SAELECTRICAL_F ORMS\BC.jpg	DATE 1/6/2010
CHECKED Cannot open file SAELECTRICAL_F ORMS\BC.jpg	DATE 1/6/2010
APPROVED Cannot open file SAELECTRI	DATE 1/6/2010

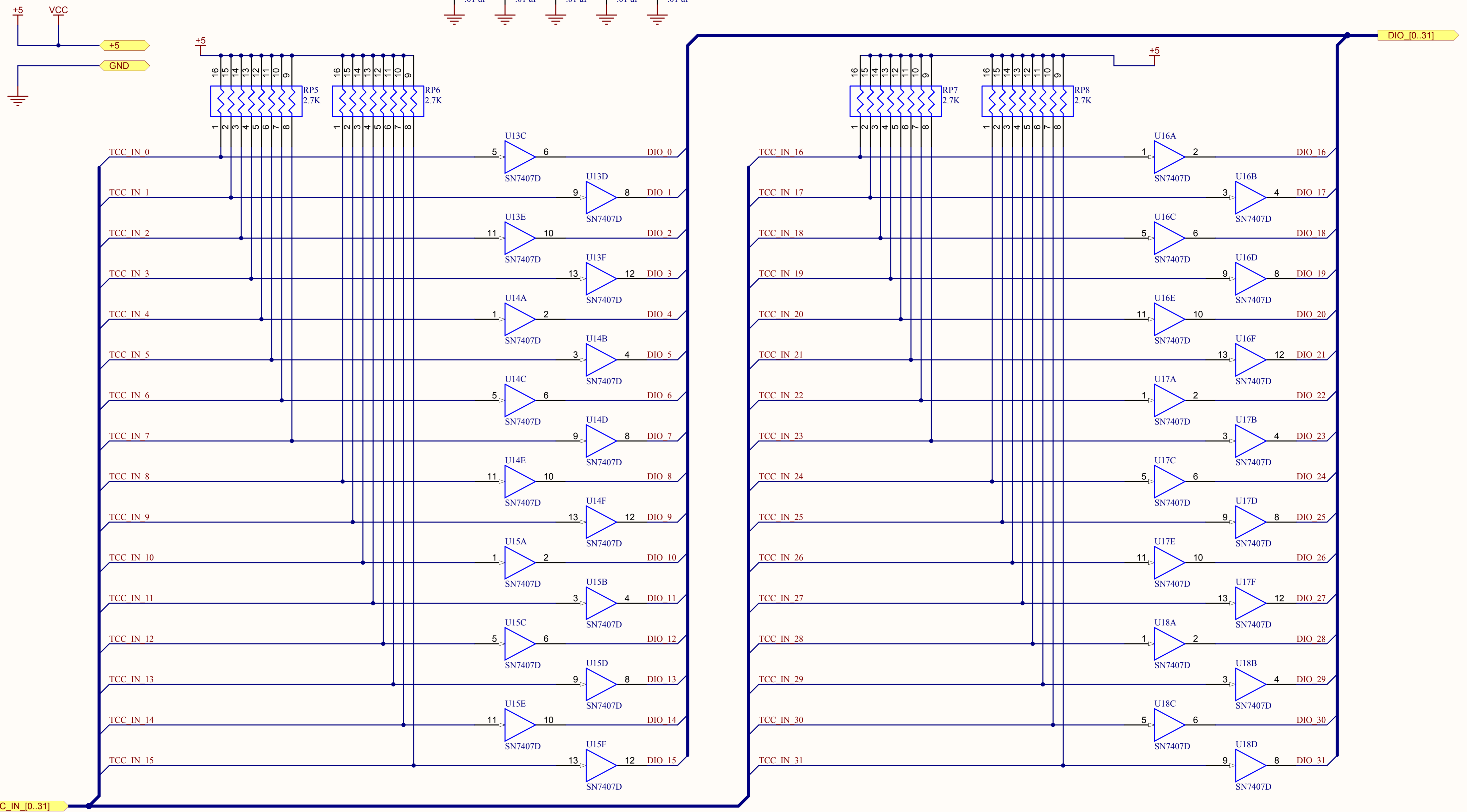
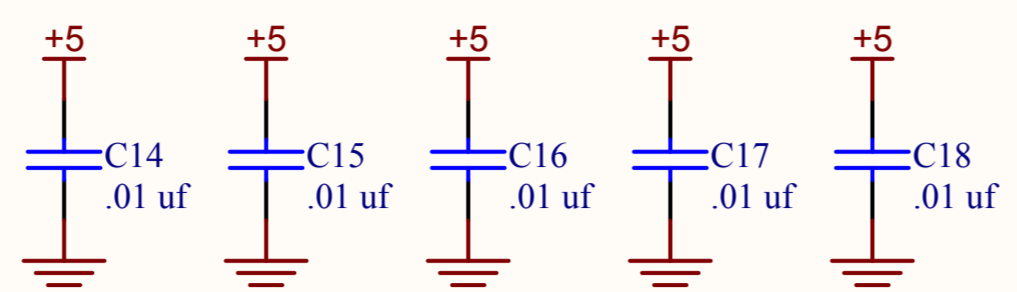
EOS TECHNOLOGIES, Inc. 925 W. GRANT RD. TUCSON, ARIZONA 85705 USA		
TITLE DIO_DIN96		
CAGE CODE 08QA1	DOCUMENT NUMBER CAD-T3202-1	SIZE A2
SCALE N/A	SHEET 14 OF 14	

DIO_DIN96
CAD-T3202-1

DRAWING NO
CAD-T3200-1

USED ON

ISSUE	DATE	DESCRIPTION	CHECKED	APPROVED	ZONE
1		INITIAL RELEASE			



COPYRIGHT
THIS DOCUMENT & ENCLOSED INFORMATION REMAINS THE PROPERTY OF EOS TECHNOLOGIES INC. INTELLECTUAL PROPERTY AND INFORMATION HEREIN MAY NOT BE COPIED NOR DISCLOSED WITHOUT WRITTEN CONSENT OF EOS TECHNOLOGIES, INC. MANAGEMENT.

FILE Q:\electrical\COMMON\pcb_sch\DIOP_CONN\DIO_IN_BUF.Sch
PRINTED 1/6/2010 3:12:12 PM
TEMPLATE: Eost_a23

DRAWN Cannot open file SAELECTRICAL_F ORMS\BC.jpg	DATE 1/6/2010
DESIGN Cannot open file SAELECTRICAL_F ORMS\BC.jpg	DATE 1/6/2010
CHECKED Cannot open file SAELECTRICAL_F ORMS\BC.jpg	DATE 1/6/2010
APPROVED Cannot open file SAELECTRI	DATE 1/6/2010

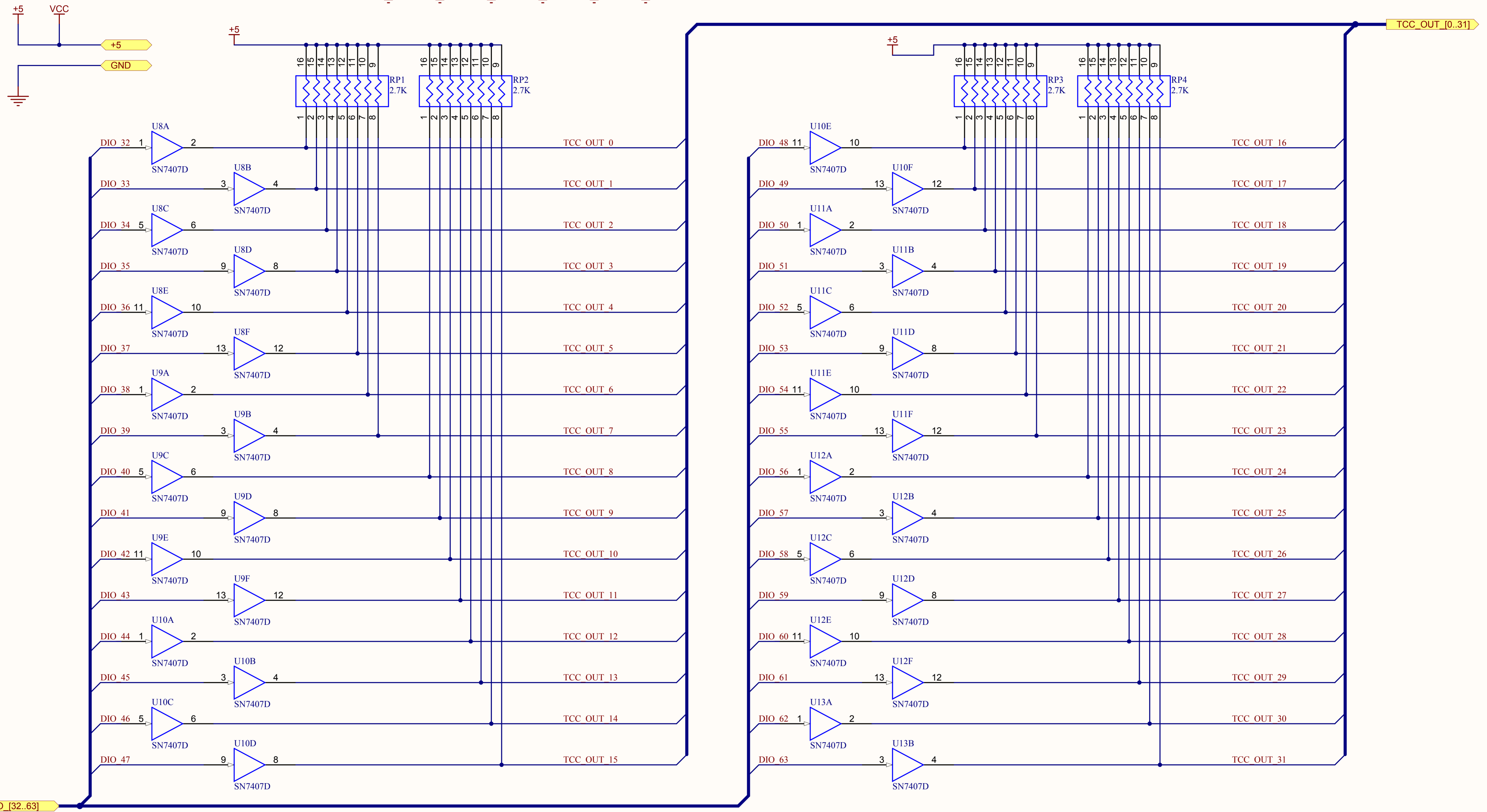
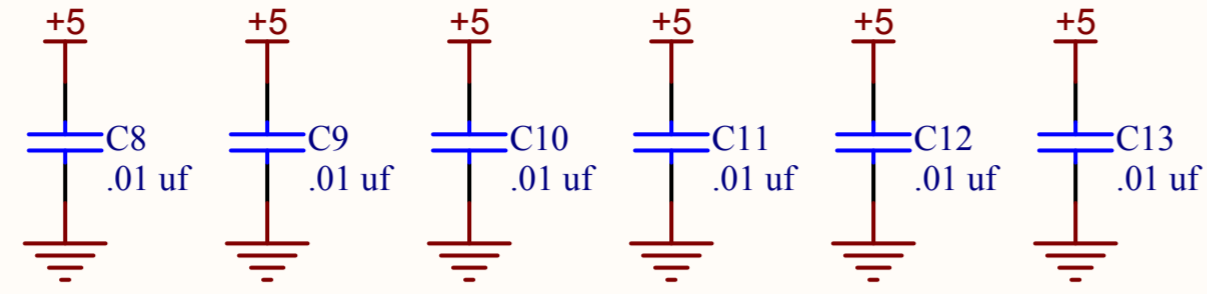
EOS TECHNOLOGIES, Inc. 925 W. GRANT RD. TUCSON, ARIZONA 85705 USA		
TITLE DIO_IN_BUF		
CAGE CODE 08QA1	DOCUMENT NUMBER CAD-T3200-1	SIZE A2
SCALE N/A	SHEET 12 OF 14	

DIO_IN_BUF
CAD-T3200-1

DRAWING NO
CAD-T3199-1

USED ON

ISSUE	DATE	DESCRIPTION	CHECKED	APPROVED	ZONE
1		INITIAL RELEASE			



COPYRIGHT
THIS DOCUMENT & ENCLOSED INFORMATION REMAINS THE PROPERTY OF EOS TECHNOLOGIES INC. INTELLECTUAL PROPERTY AND INFORMATION HEREIN MAY NOT BE COPIED NOR DISCLOSED WITHOUT WRITTEN CONSENT OF EOS TECHNOLOGIES, INC. MANAGEMENT.

FILE Q:\electrical\COMMON\pcb_sch\DIOP_CONN\DIOP_OUT_BUF.Sch
PRINTED 1/6/2010 3:12:13 PM
TEMPLATE: Eost_a23

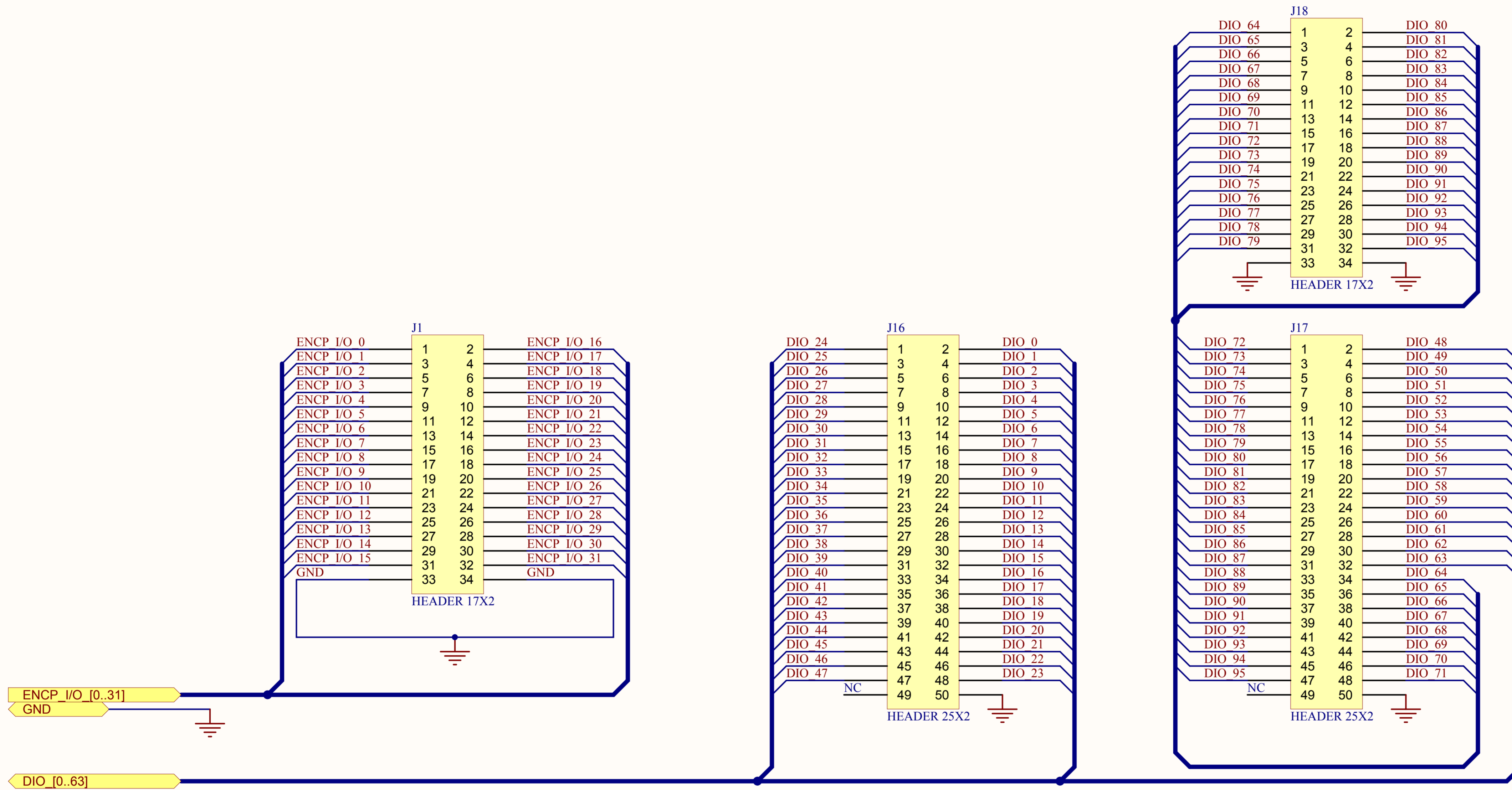
DRAWN Cannot open file SAELECTRICAL_F ORMS\JMC.jpg	DATE 1/6/2010
DESIGN Cannot open file SAELECTRICAL_F ORMS\BC.jpg	DATE 1/6/2010
CHECKED Cannot open file SAELECTRICAL_F ORMS\BC.jpg	DATE 1/6/2010
APPROVED Cannot open file SAELECTRI	DATE 1/6/2010

EOS TECHNOLOGIES, Inc. 925 W. GRANT RD. TUCSON, ARIZONA 85705 USA		
TITLE DIO_OUT_BUF		
CAGE CODE 08QA1	DOCUMENT NUMBER CAD-T3199-1	SIZE A2
SCALE N/A	SHEET 11 OF 14	

DIO_OUT_BUF
CAD-T3199-1

DRAWING NO
CAD-T3192-1
 USED ON

ISSUE	DATE	DESCRIPTION	CHECKED	APPROVED	ZONE
1		INITIAL RELEASE			



COPYRIGHT
 THIS DOCUMENT & ENCLOSED INFORMATION REMAINS THE PROPERTY OF EOS TECHNOLOGIES INC. INTELLECTUAL PROPERTY AND INFORMATION HEREIN MAY NOT BE COPIED NOR DISCLOSED WITHOUT WRITTEN CONSENT OF EOS TECHNOLOGIES, INC. MANAGEMENT.

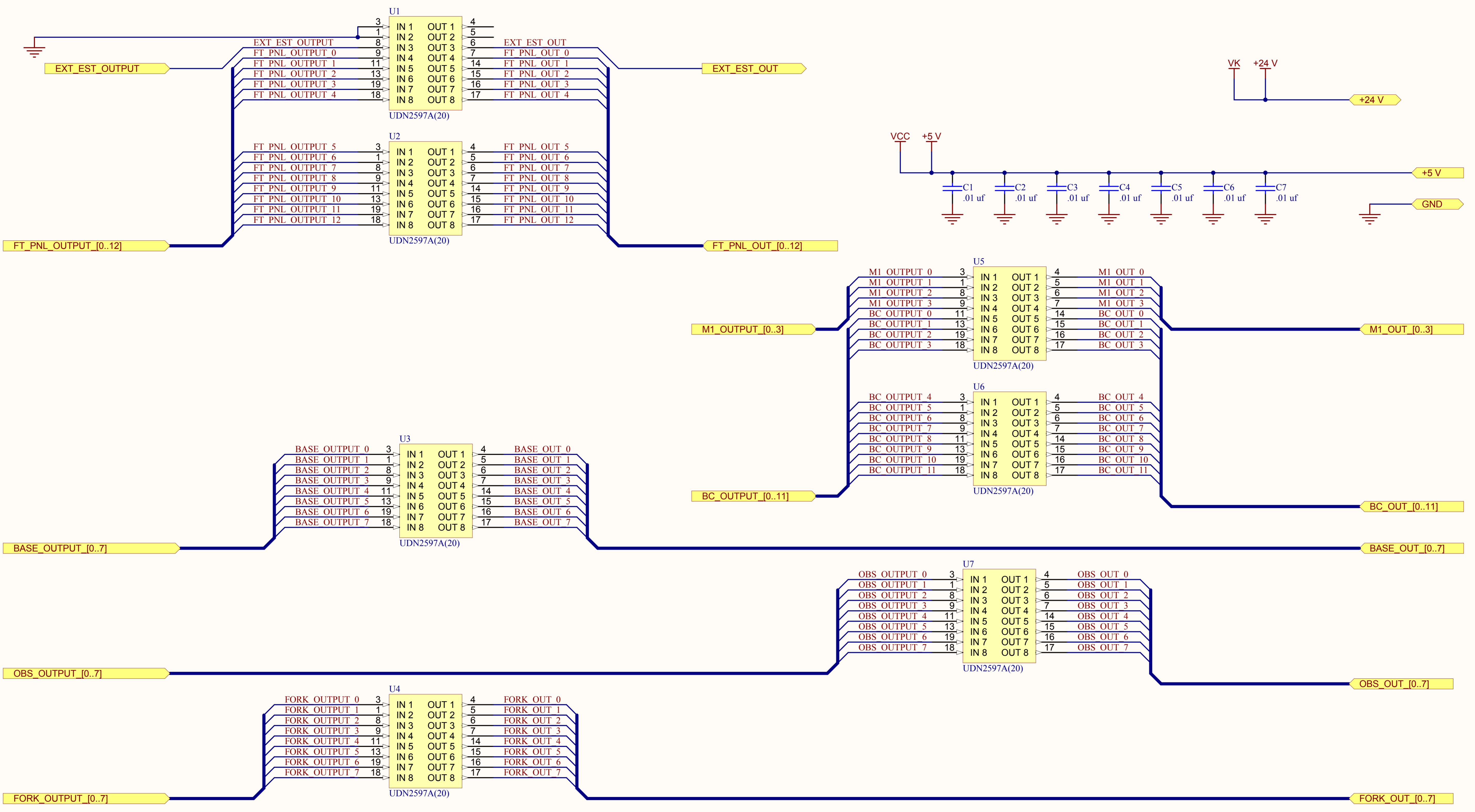
FILE Q:\electrical\COMMON\pcb_sch\DIOP_CONN\ENCNPDIO.Sch
 PRINTED 1/6/2010 3:12:14 PM
 TEMPLATE: Eost_a23

DRAWN Cannot open file SAELECTRICAL_F ORMS\BC.jpg	DATE 1/6/2010
DESIGN Cannot open file SAELECTRICAL_F ORMS\BC.jpg	DATE 1/6/2010
CHECKED Cannot open file SAELECTRICAL_F ORMS\BC.jpg	DATE 1/6/2010
APPROVED Cannot open file SAELECTRI	DATE 1/6/2010

EOS TECHNOLOGIES, Inc. 925 W. GRANT RD. TUCSON, ARIZONA 85705 USA		
TITLE ENCN_DIO		
CAGE CODE 08QA1	DOCUMENT NUMBER CAD-T3192-1	SIZE A2
SCALE N/A	SHEET 3 OF 14	

ENCN_DIO
CAD-T3192-1

ISSUE	DATE	DESCRIPTION	CHECKED	APPROVED	ZONE
1		INITIAL RELEASE			



COPYRIGHT
 THIS DOCUMENT & ENCLOSED
 INFORMATION REMAINS THE PROPERTY
 OF EOS TECHNOLOGIES INC.
 INTELLECTUAL PROPERTY AND
 INFORMATION HEREIN MAY NOT BE
 COPIED NOR DISCLOSED WITHOUT
 WRITTEN CONSENT OF EOS
 TECHNOLOGIES, INC. MANAGEMENT.

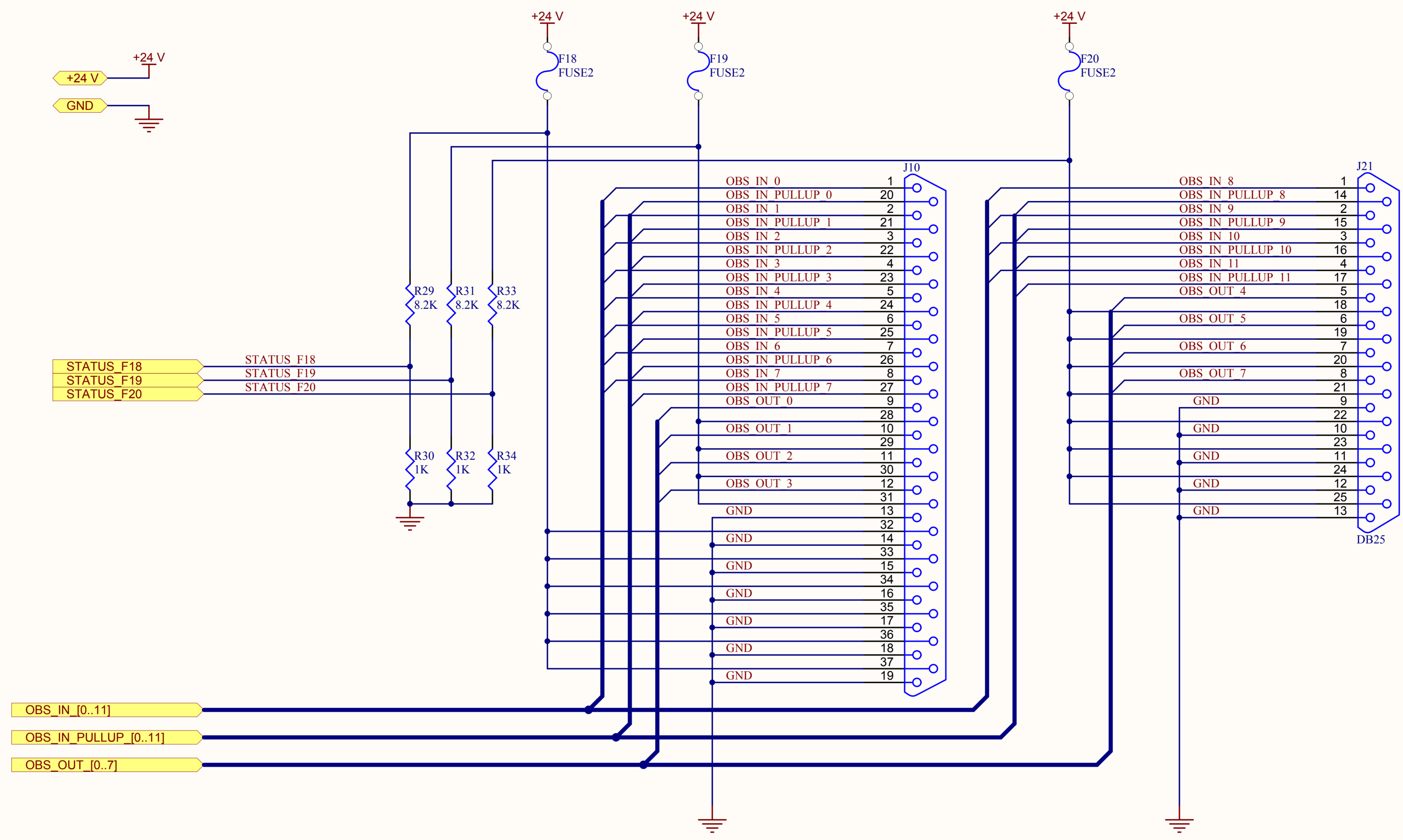
FILE Q:\electrical\COMMON\pcb_sch\DIOP_CONN\GENOUT_BUF.SCH
 PRINTED 1/6/2010 3:12:15 PM
 TEMPLATE: Eost_a23

DRAWN Cannot open file SAELECTRICAL_F ORMS\JMC.jpg	DATE 1/6/2010
DESIGN Cannot open file SAELECTRICAL_F ORMS\BC.jpg	DATE 1/6/2010
CHECKED Cannot open file SAELECTRICAL_F ORMS\BC.jpg	DATE 1/6/2010
APPROVED Cannot open file SAELECTRI	DATE 1/6/2010

EOS TECHNOLOGIES, Inc. 925 W. GRANT RD. TUCSON, ARIZONA 85705 USA		
TITLE GEN_OUT_BUF		
CAGE CODE 08QA1	DOCUMENT NUMBER SCH-T0470-1	SIZE A2
SCALE N/A	SHEET 5 OF 14	

GEN_OUT_BUF SCH-T0470-1

ISSUE	DATE	DESCRIPTION	CHECKED	APPROVED	ZONE
1		INITIAL RELEASE			



COPYRIGHT
 THIS DOCUMENT & ENCLOSED INFORMATION REMAINS THE PROPERTY OF EOS TECHNOLOGIES INC. INTELLECTUAL PROPERTY AND INFORMATION HEREIN MAY NOT BE COPIED NOR DISCLOSED WITHOUT WRITTEN CONSENT OF EOS TECHNOLOGIES, INC. MANAGEMENT.

FILE Q:\electrical\COMMON\pcb_sch\DIOP_CONN\OBS_CONN.Sch
 PRINTED 1/6/2010 3:12:16 PM
 TEMPLATE: Eost_a23

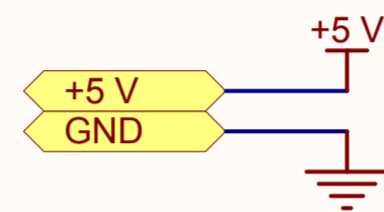
DRAWN Cannot open file SAELECTRICAL_F ORMS\BC.jpg	DATE 1/6/2010
DESIGN Cannot open file SAELECTRICAL_F ORMS\BC.jpg	DATE 1/6/2010
CHECKED Cannot open file SAELECTRICAL_F ORMS\BC.jpg	DATE 1/6/2010
APPROVED Cannot open file SAELECTRI	DATE 1/6/2010

EOS TECHNOLOGIES, Inc. 925 W. GRANT RD. TUCSON, ARIZONA 85705 USA		
TITLE OBS_CONN		
CAGE CODE 08QA1	DOCUMENT NUMBER CAD-T3197-1	SIZE A2
SCALE N/A	SHEET 9 OF 14	

OBS_CONN
CAD-T3197-1

DRAWING NO
CAD-T3191-1
 USED ON

ISSUE	DATE	DESCRIPTION	CHECKED	APPROVED	ZONE
1		INITIAL RELEASE			



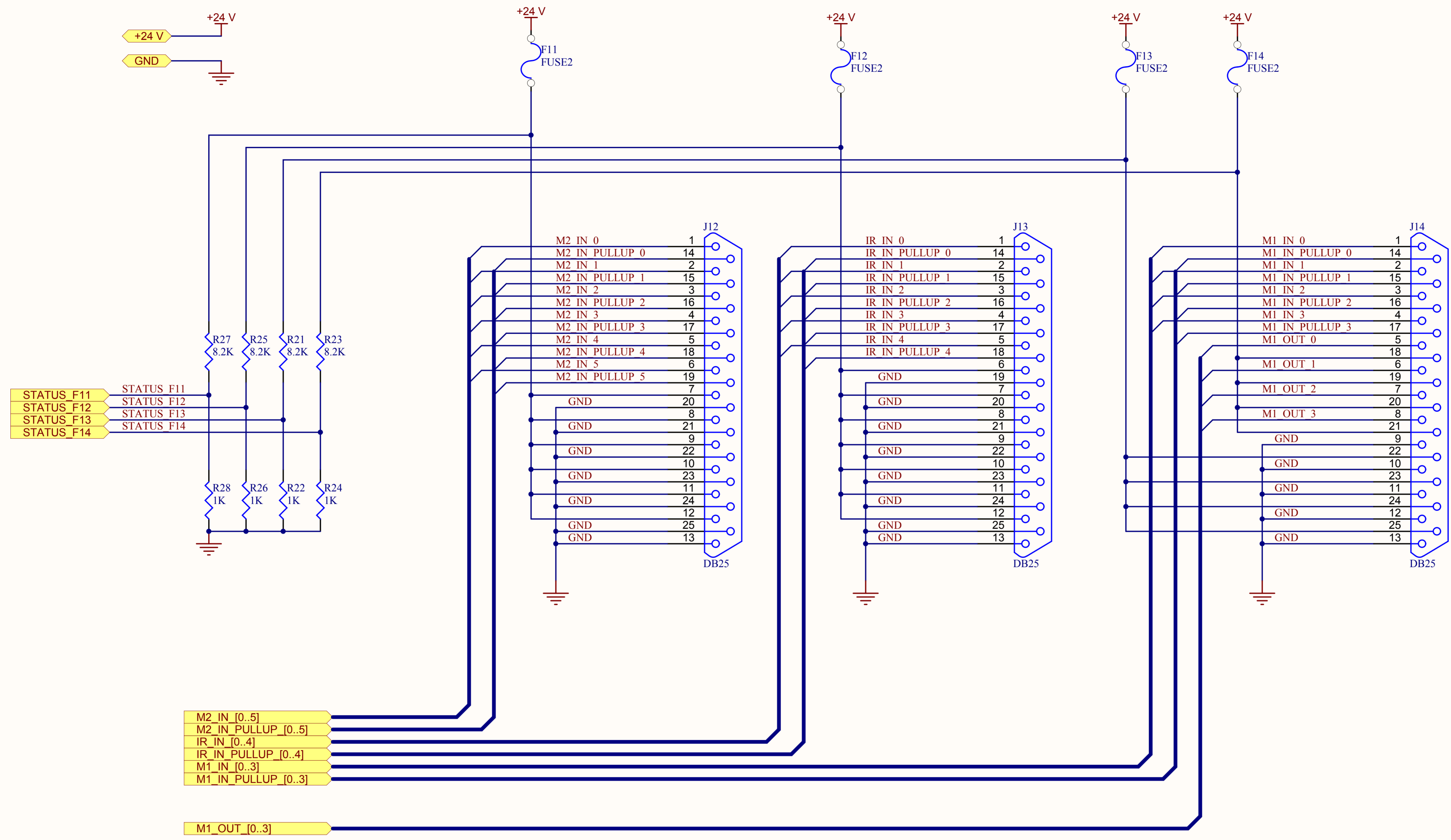
COPYRIGHT
 THIS DOCUMENT & ENCLOSED INFORMATION REMAINS THE PROPERTY OF EOS TECHNOLOGIES INC. INTELLECTUAL PROPERTY AND INFORMATION HEREIN MAY NOT BE COPIED NOR DISCLOSED WITHOUT WRITTEN CONSENT OF EOS TECHNOLOGIES, INC. MANAGEMENT.

FILE Q:\electrical\COMMON\pcb_sch\DIOP_CONN\Setupisp.Sch
 PRINTED 1/6/2010 3:12:17 PM
 TEMPLATE: Eost_a23

DRAWN Cannot open file SAELECTRICAL_F ORMS\BC.jpg	DATE 1/6/2010	EOS TECHNOLOGIES, Inc. 925 W. GRANT RD. TUCSON, ARIZONA 85705 USA		
DESIGN Cannot open file SAELECTRICAL_F ORMS\BC.jpg	DATE 1/6/2010	TITLE SETUP_ISP		
CHECKED Cannot open file SAELECTRICAL_F ORMS\BC.jpg	DATE 1/6/2010	CAGE CODE 08QA1	DOCUMENT NUMBER CAD-T3191-1	SIZE A2
APPROVED Cannot open file SAELECTRI	DATE 1/6/2010	SCALE N/A	SHEET 2 OF 14	

SETUP_ISP
CAD-T3191-1

ISSUE	DATE	DESCRIPTION	CHECKED	APPROVED	ZONE
1		INITIAL RELEASE			



COPYRIGHT
 THIS DOCUMENT & ENCLOSED INFORMATION REMAINS THE PROPERTY OF EOS TECHNOLOGIES INC. INTELLECTUAL PROPERTY AND INFORMATION HEREIN MAY NOT BE COPIED NOR DISCLOSED WITHOUT WRITTEN CONSENT OF EOS TECHNOLOGIES, INC. MANAGEMENT.

FILE Q:\electrical\COMMON\pcb_sch\DIOP_CONN\TUBE_CONN..Sch
 PRINTED 1/6/2010 3:12:18 PM
 TEMPLATE: Eost_a23

DRAWN Cannot open file SAELECTRICAL_F ORMS\BC.jpg	DATE 1/6/2010
DESIGN Cannot open file SAELECTRICAL_F ORMS\BC.jpg	DATE 1/6/2010
CHECKED Cannot open file SAELECTRICAL_F ORMS\BC.jpg	DATE 1/6/2010
APPROVED Cannot open file SAELECTRI	DATE 1/6/2010

EOS TECHNOLOGIES, Inc. 925 W. GRANT RD. TUCSON, ARIZONA 85705 USA		
TITLE TUBE_CONN		
CAGE CODE 08QA1	DOCUMENT NUMBER CAD-T3196-1	SIZE A2
SCALE N/A	SHEET 8 OF 14	

TUBE_CONN
CAD-T3196-1