

COPYRIGHT
 THIS DOCUMENT & ENCLOSED
 INFORMATION REMAINS THE PROPERTY
 OF EOS TECHNOLOGIES INC.
 INTELLECTUAL PROPERTY AND
 INFORMATION HEREIN MAY NOT BE
 COPIED NOR DISCLOSED WITHOUT
 WRITTEN CONSENT OF EOS
 TECHNOLOGIES, INC. MANAGEMENT.

FILE Q:\electrical\COMMON\pcb_sch\ENCP_676\AENA_BUF.Sch
 PRINTED 1/6/2010 4:32:09 PM
 TEMPLATE: Eost_a23

EOS TECHNOLOGIES, Inc.

925 W. GRANT RD.
 TUCSON, ARIZONA 85705 USA

TITLE

AENA_BUF

DOCUMENT NUMBER

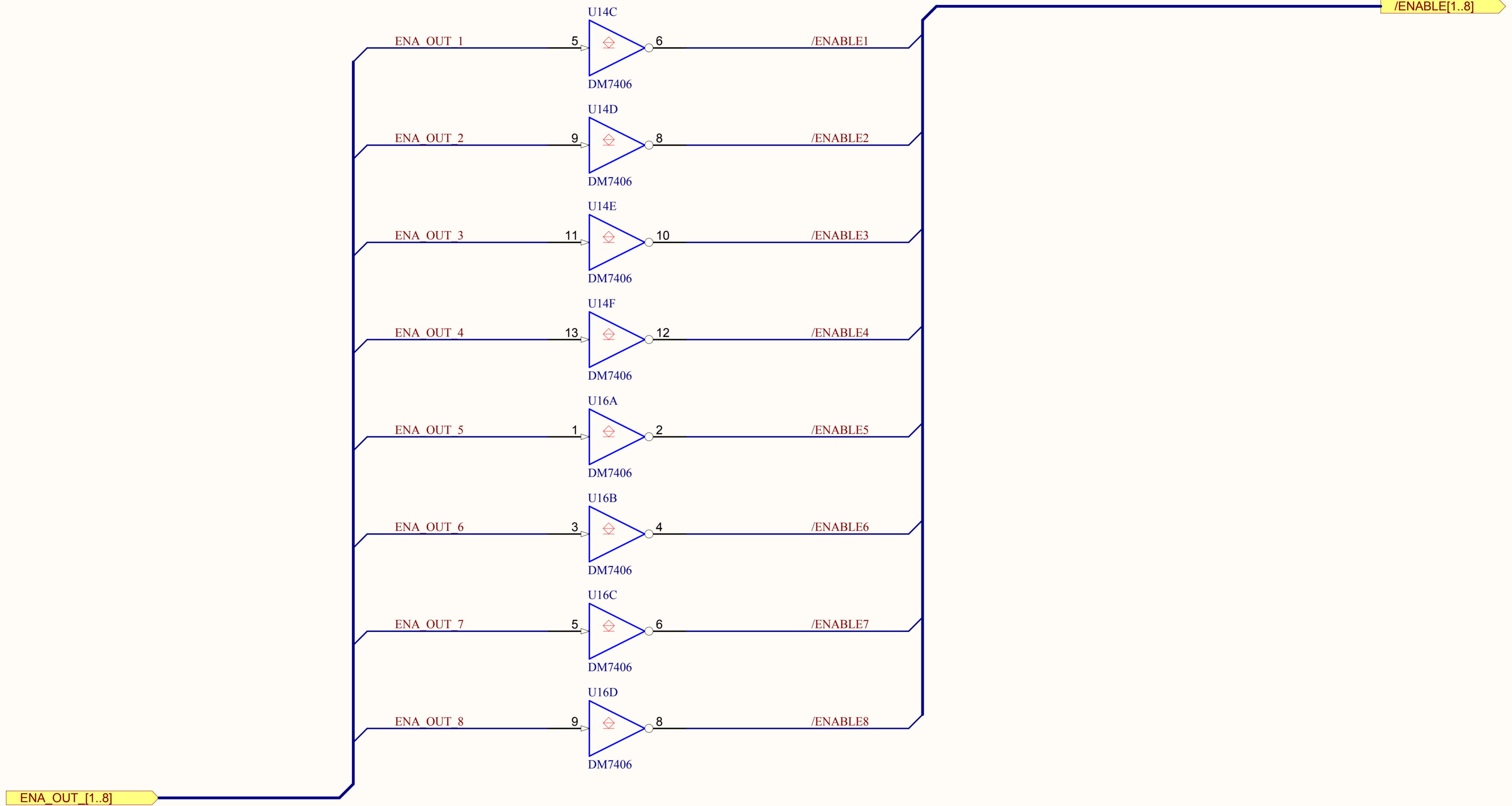
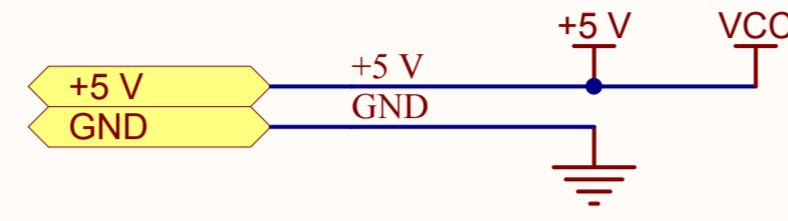
SCH-4110-1

SIZE

A2

SCALE N/A

SHEET 16 OF 29



COPYRIGHT
 THIS DOCUMENT & ENCLOSED
 INFORMATION REMAINS THE PROPERTY
 OF EOS TECHNOLOGIES INC.
 INTELLECTUAL PROPERTY AND
 INFORMATION HEREIN MAY NOT BE
 COPIED NOR DISCLOSED WITHOUT
 WRITTEN CONSENT OF EOS
 TECHNOLOGIES, INC. MANAGEMENT.

FILE Q:\electrical\COMMON\pcb_sch\ENCP_676\AENA_OUTBUF.Sch
 PRINTED 1/6/2010 4:32:10 PM
 TEMPLATE: Eost_a23

EOS TECHNOLOGIES, Inc.

925 W. GRANT RD.
 TUCSON, ARIZONA 85705 USA

TITLE

AENA_OUTBUF

DOCUMENT NUMBER

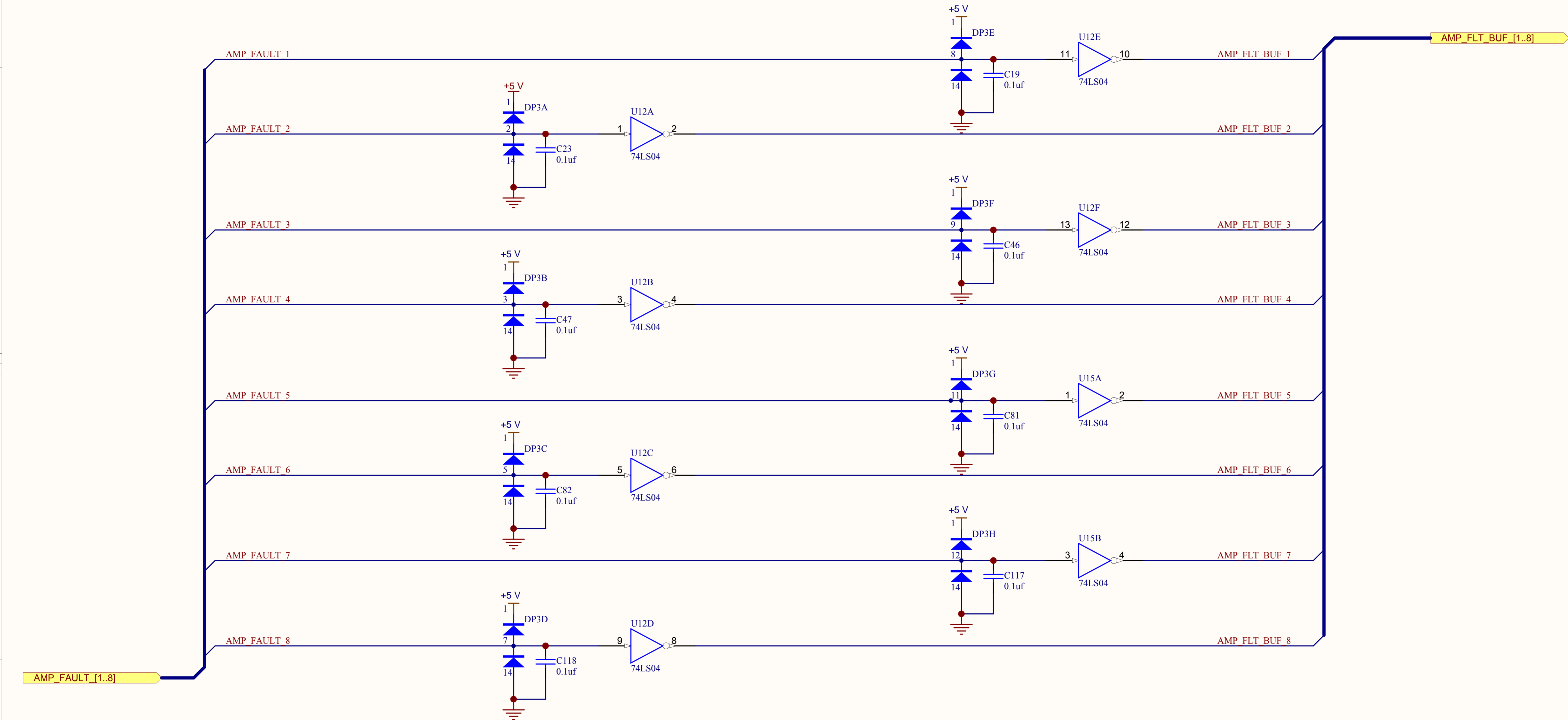
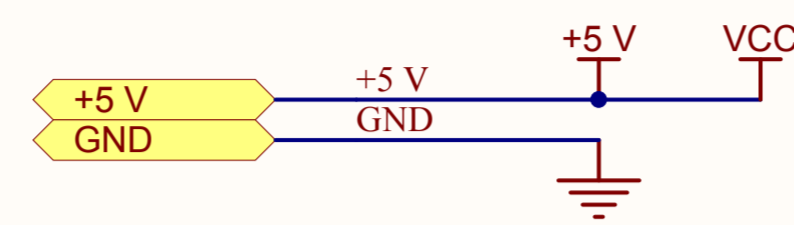
SCH-4110-1

SIZE

A2

SCALE N/A

SHEET 4 OF 29



COPYRIGHT
 THIS DOCUMENT & ENCLOSED
 INFORMATION REMAINS THE PROPERTY
 OF EOS TECHNOLOGIES INC.
 INTELLECTUAL PROPERTY AND
 INFORMATION HEREIN MAY NOT BE
 COPIED NOR DISCLOSED WITHOUT
 WRITTEN CONSENT OF EOS
 TECHNOLOGIES, INC. MANAGEMENT.

FILE Q:\electrical\COMMON\pcb_sch\ENCP_676\AMP_FAULT_BUF.Sch
 PRINTED 1/6/2010 4:32:12 PM
 TEMPLATE: Eost_a23

EOS TECHNOLOGIES, Inc.

925 W. GRANT RD.
 TUCSON, ARIZONA 85705 USA

TITLE

AMP_FAULT_BUF

DOCUMENT NUMBER

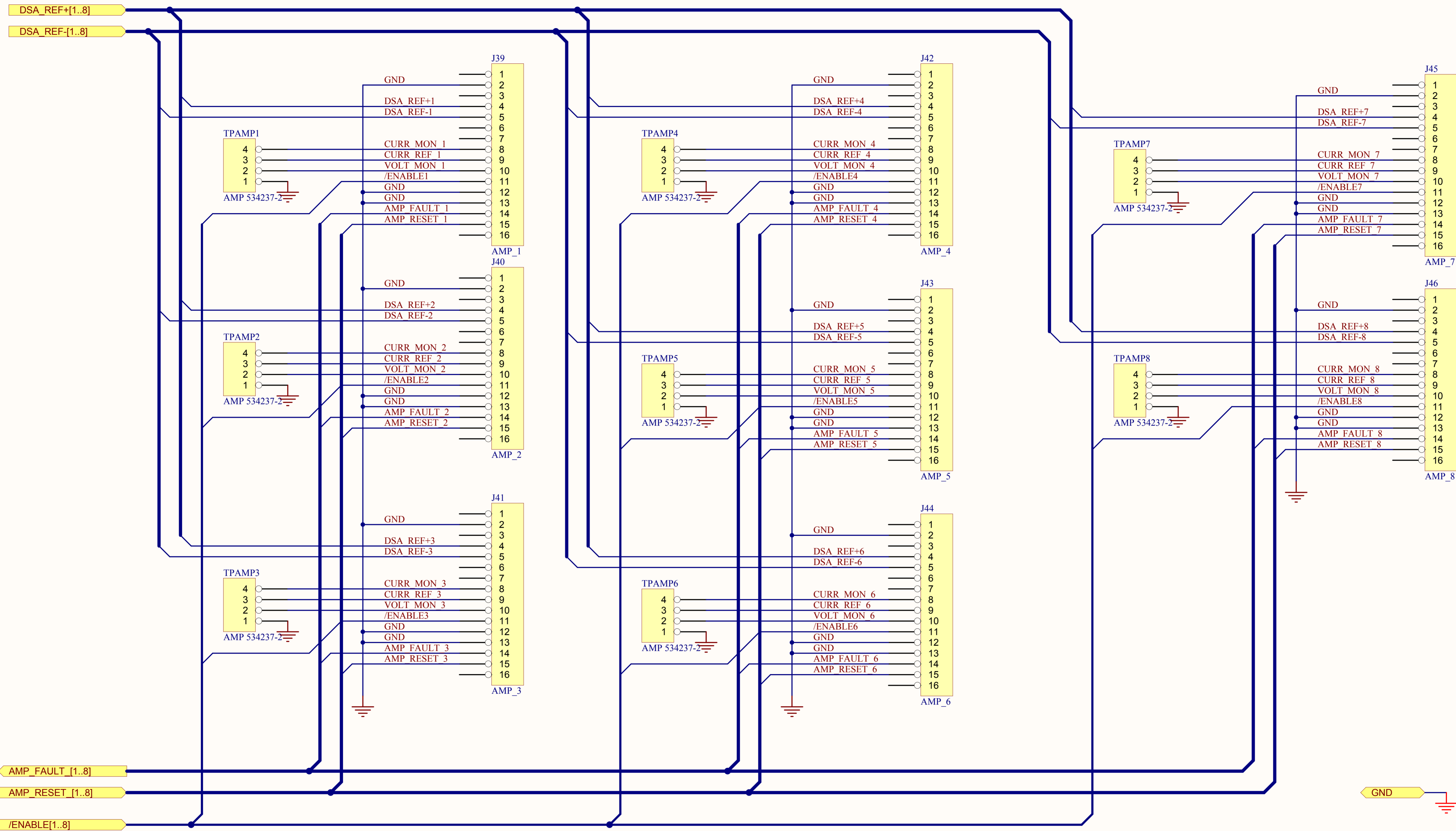
SCH-4110-1

SIZE

A2

SCALE N/A

SHEET 15 OF 29



COPYRIGHT
 THIS DOCUMENT & ENCLOSED
 INFORMATION REMAINS THE PROPERTY
 OF EOS TECHNOLOGIES INC.
 INTELLECTUAL PROPERTY AND
 INFORMATION HEREIN MAY NOT BE
 COPIED NOR DISCLOSED WITHOUT
 WRITTEN CONSENT OF EOS
 TECHNOLOGIES, INC. MANAGEMENT.

FILE Q:\electrical\COMMON\pcb_sch\ENCP_676\AMP_INTERF.sch
 PRINTED 1/6/2010 4:32:13 PM
 TEMPLATE: Eost_a23

EOS TECHNOLOGIES, Inc.
 925 W. GRANT RD.
 TUCSON, ARIZONA 85705 USA

TITLE
AMP_INTERF

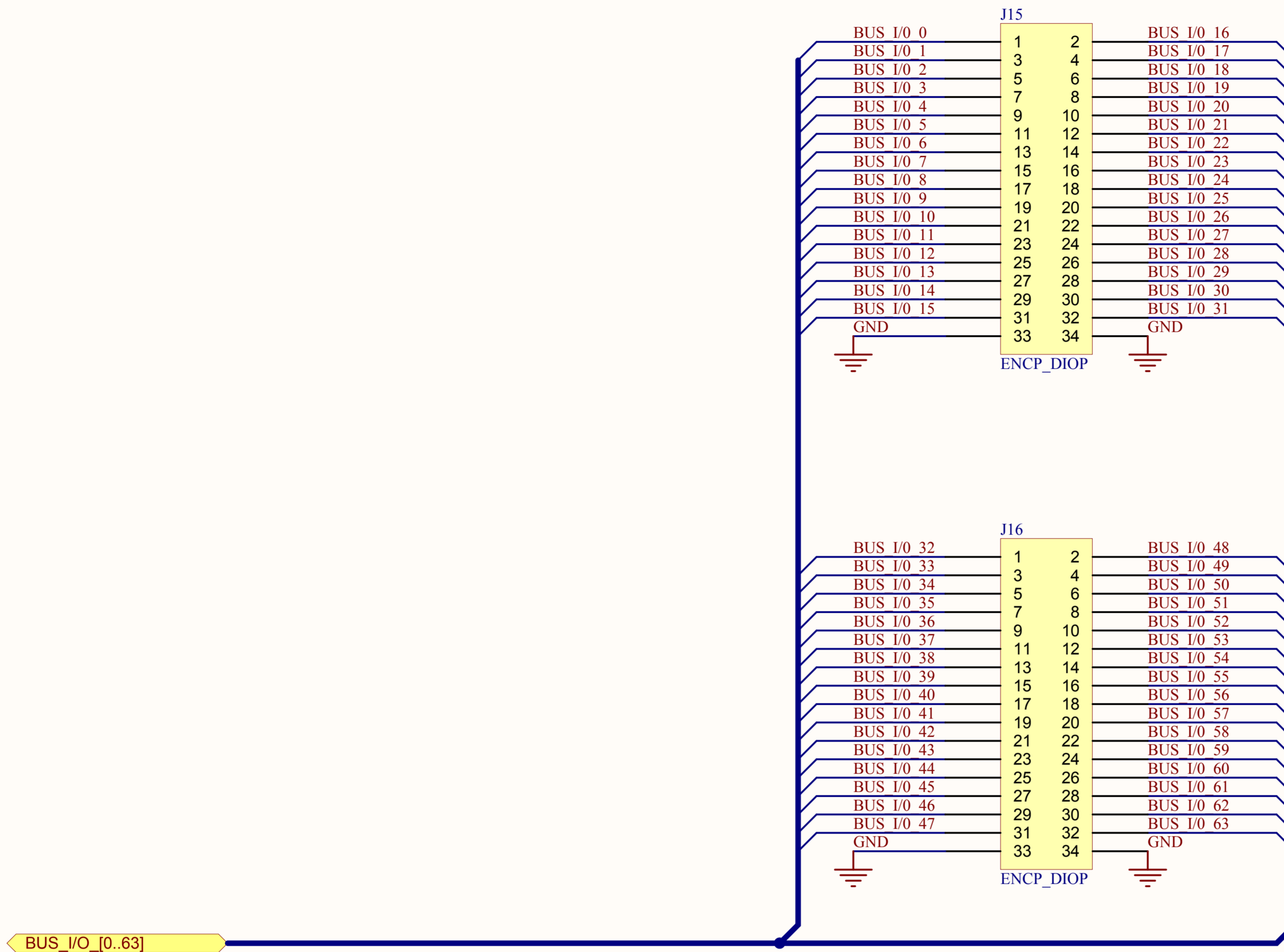
DOCUMENT NUMBER
SCH-4110-1

SCALE N/A SHEET 12 OF 29

SIZE
A2

AMP_INTERF

SCH-4110-1



COPYRIGHT
 THIS DOCUMENT & ENCLOSED
 INFORMATION REMAINS THE PROPERTY
 OF EOS TECHNOLOGIES INC.
 INTELLECTUAL PROPERTY AND
 INFORMATION HEREIN MAY NOT BE
 COPIED NOR DISCLOSED WITHOUT
 WRITTEN CONSENT OF EOS
 TECHNOLOGIES, INC. MANAGEMENT.

FILE Q:\electrical\COMMON\pcb_sch\ENCP_676\BUSCONN.Sch
 PRINTED 1/6/2010 4:32:14 PM
 TEMPLATE: Eost_a23

EOS TECHNOLOGIES, Inc.

925 W. GRANT RD.
 TUCSON, ARIZONA 85705 USA

TITLE

BUS_CONN

DOCUMENT NUMBER

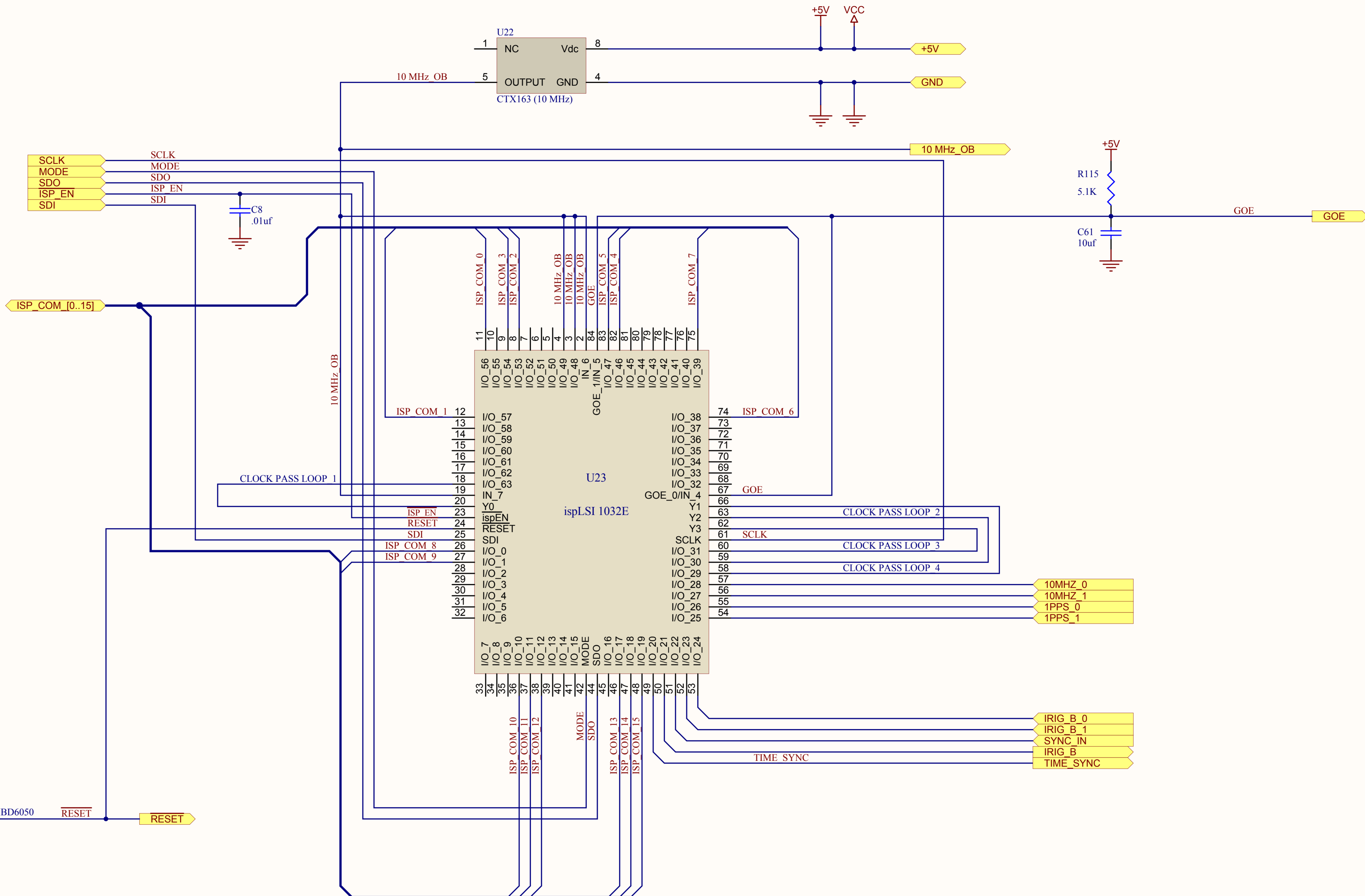
SCH-4110-1

SIZE

A2

SCALE N/A

SHEET 2 OF 29



COPYRIGHT
 THIS DOCUMENT & ENCLOSED
 INFORMATION REMAINS THE PROPERTY
 OF EOS TECHNOLOGIES INC.
 INTELLECTUAL PROPERTY AND
 INFORMATION HEREIN MAY NOT BE
 COPIED NOR DISCLOSED WITHOUT
 WRITTEN CONSENT OF EOS
 TECHNOLOGIES, INC. MANAGEMENT.

FILE Q:\electrical\COMMON\pcb_sch\ENCP_676\Clock.sch
 PRINTED 1/6/2010 4:32:14 PM
 TEMPLATE: Eost_a23

EOS TECHNOLOGIES, Inc.

925 W. GRANT RD.
 TUCSON, ARIZONA 85705 USA

TITLE

DIO_CLOCK

DOCUMENT NUMBER

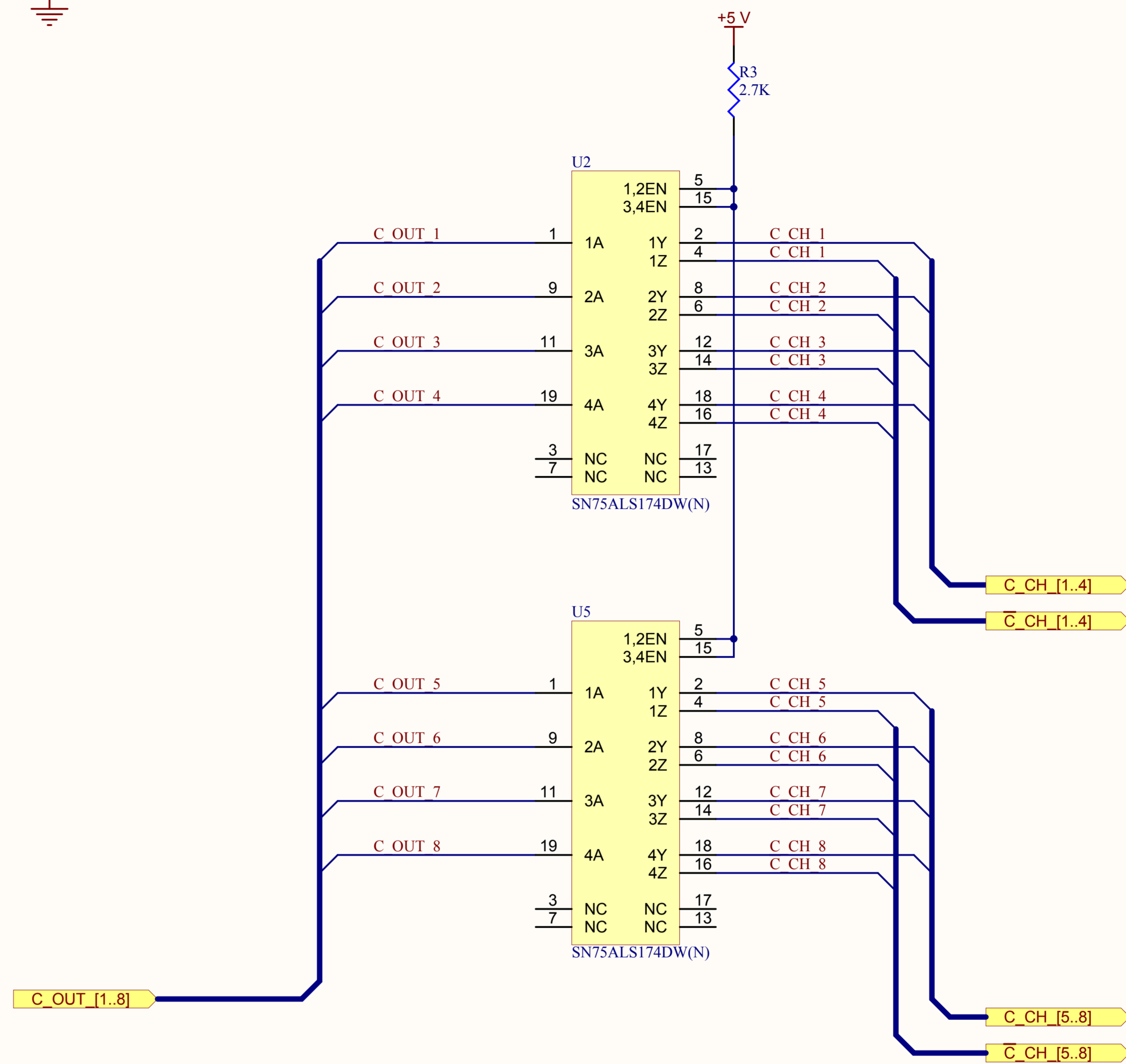
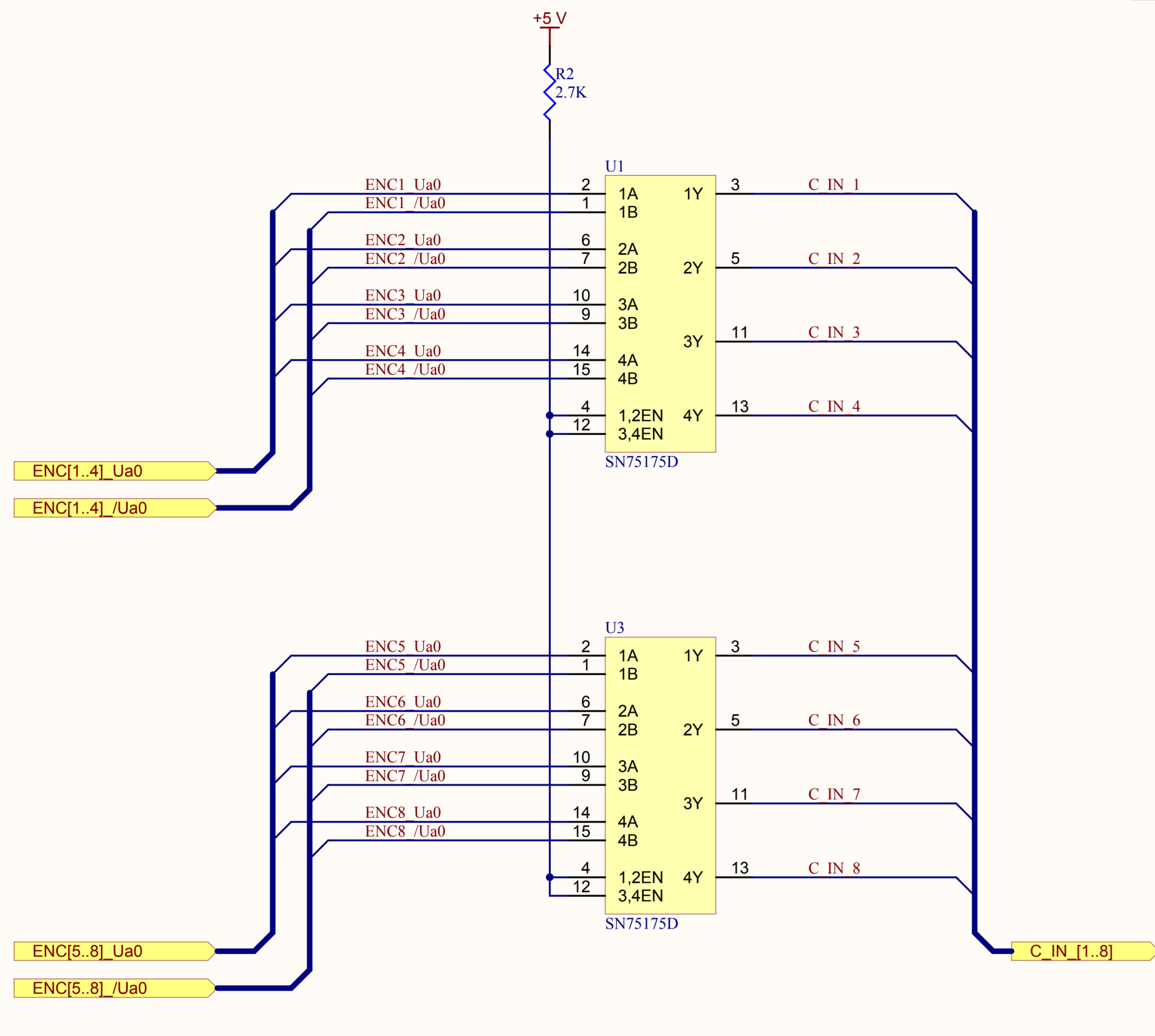
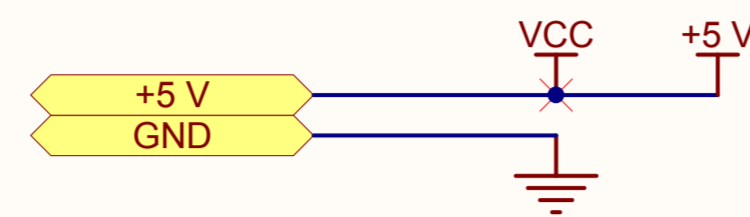
SCH-4110-1

SIZE

A2

SCALE N/A

SHEET 29 OF 29



COPYRIGHT
 THIS DOCUMENT & ENCLOSED INFORMATION REMAINS THE PROPERTY OF EOS TECHNOLOGIES INC. INTELLECTUAL PROPERTY AND INFORMATION HEREIN MAY NOT BE COPIED NOR DISCLOSED WITHOUT WRITTEN CONSENT OF EOS TECHNOLOGIES, INC. MANAGEMENT.

FILE Q:\electrical\COMMON\pcb_sch\ENCP_676\C_BUF.Sch
 PRINTED 1/6/2010 4:32:15 PM
 TEMPLATE: Eost_a23

EOS TECHNOLOGIES, Inc.

925 W. GRANT RD.
 TUCSON, ARIZONA 85705 USA

TITLE

"C"_BUF

DOCUMENT NUMBER

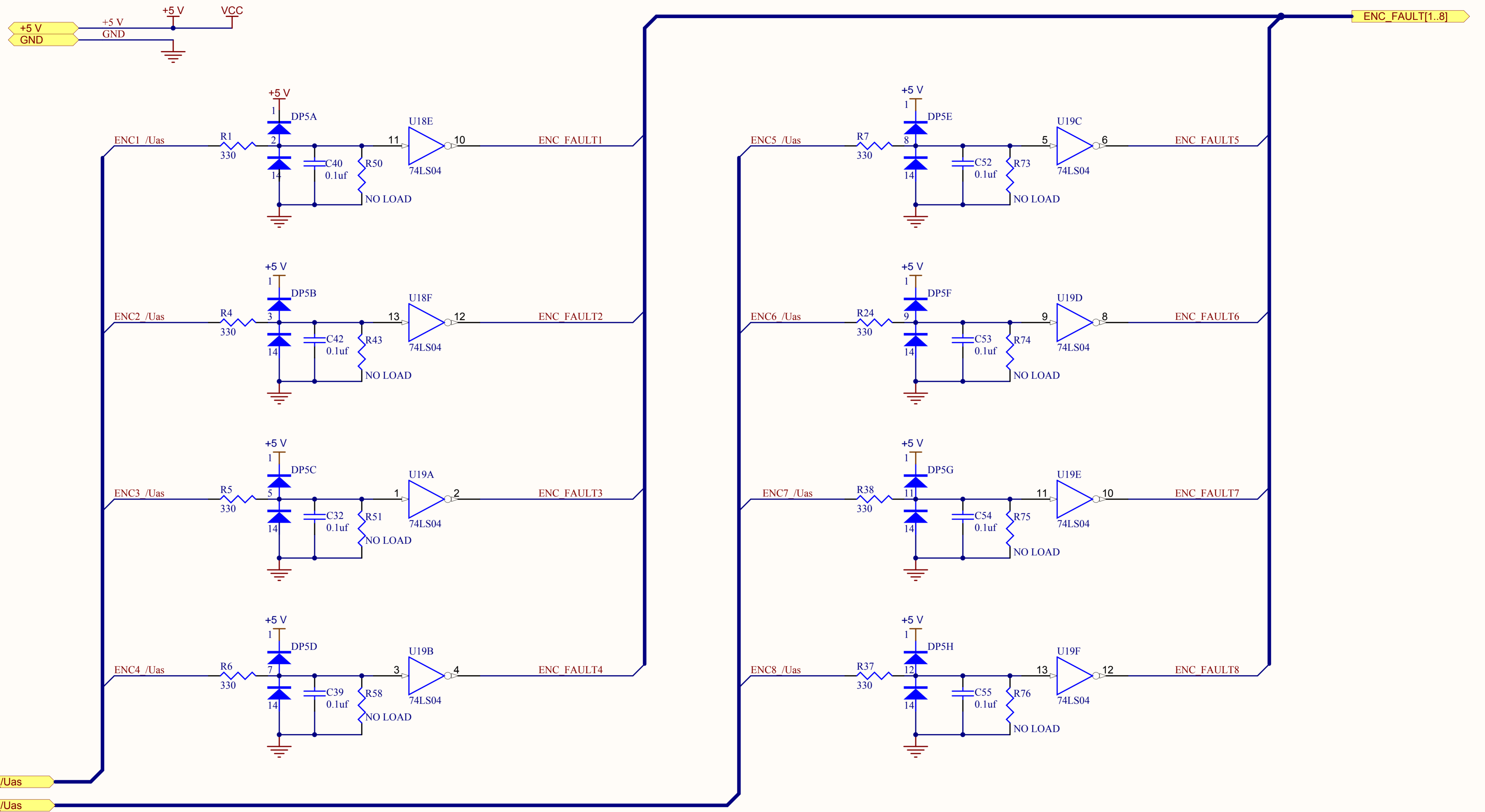
SCH-4110-1

SIZE

A2

SCALE N/A

SHEET 17 OF 29



COPYRIGHT
 THIS DOCUMENT & ENCLOSED
 INFORMATION REMAINS THE PROPERTY
 OF EOS TECHNOLOGIES INC.
 INTELLECTUAL PROPERTY AND
 INFORMATION HEREIN MAY NOT BE
 COPIED NOR DISCLOSED WITHOUT
 WRITTEN CONSENT OF EOS
 TECHNOLOGIES, INC. MANAGEMENT.

FILE Q:\electrical\COMMON\pcb_sch\ENCP_676\ENCFLT_BUF.sch
 PRINTED 1/6/2010 4:32:16 PM
 TEMPLATE: Eost_a23

EOS TECHNOLOGIES, Inc.

925 W. GRANT RD.
 TUCSON, ARIZONA 85705 USA

TITLE

ENCFLT_BUF

DOCUMENT NUMBER

SCH-4110-1

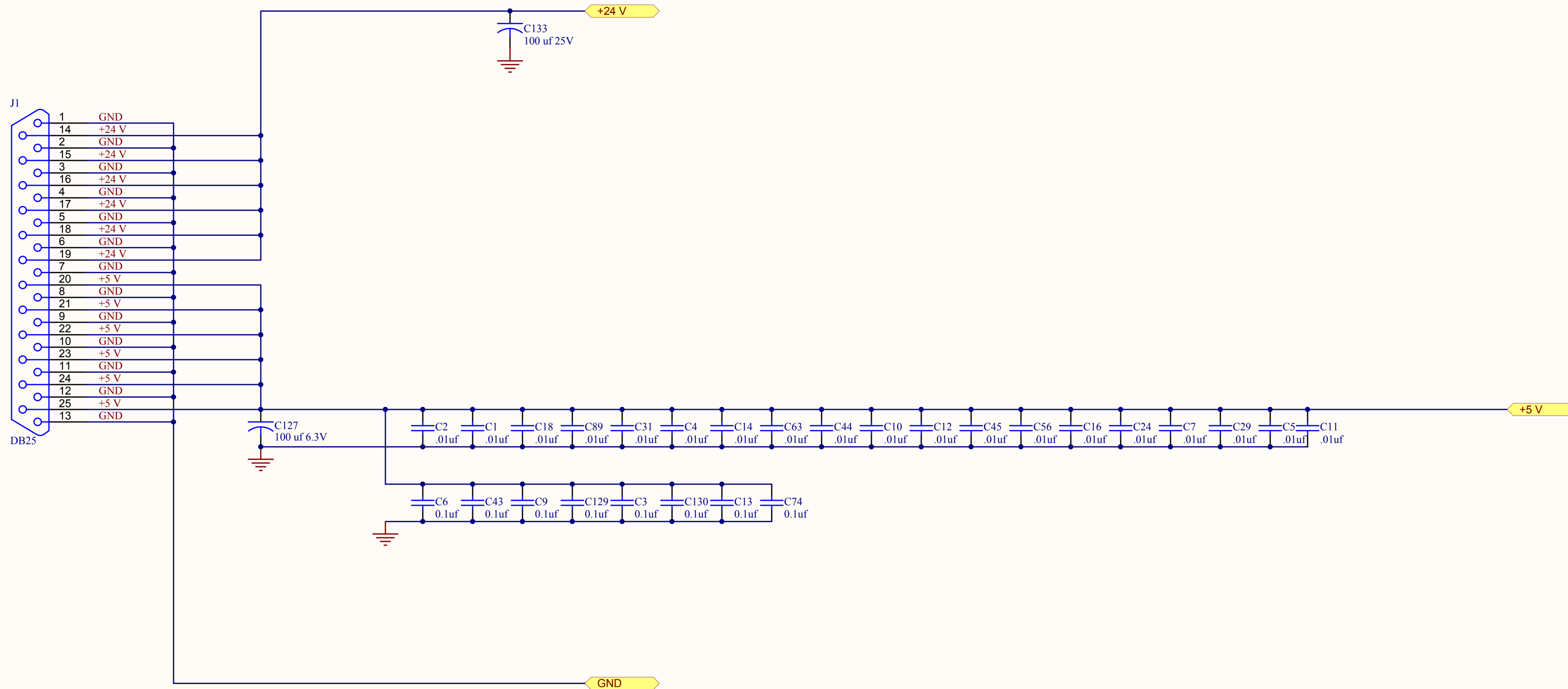
SIZE

A2

SCALE N/A

SHEET 18 OF 29

SCH-4110-1



COPYRIGHT
 THIS DOCUMENT & ENCLOSED
 INFORMATION REMAINS THE PROPERTY
 OF EOS TECHNOLOGIES INC.
 INTELLECTUAL PROPERTY AND
 INFORMATION HEREIN MAY NOT BE
 COPIED NOR DISCLOSED WITHOUT
 WRITTEN CONSENT OF EOS
 TECHNOLOGIES, INC. MANAGEMENT.

FILE Q:\electrical\COMMON\pcb_sch\ENCP_676\ENCPower.Sch
 PRINTED 1/6/2010 4:32:17 PM
 TEMPLATE: Eost_a23

EOS TECHNOLOGIES, Inc.

925 W. GRANT RD.
 TUCSON, ARIZONA 85705 USA

TITLE

ENCPower

DOCUMENT NUMBER

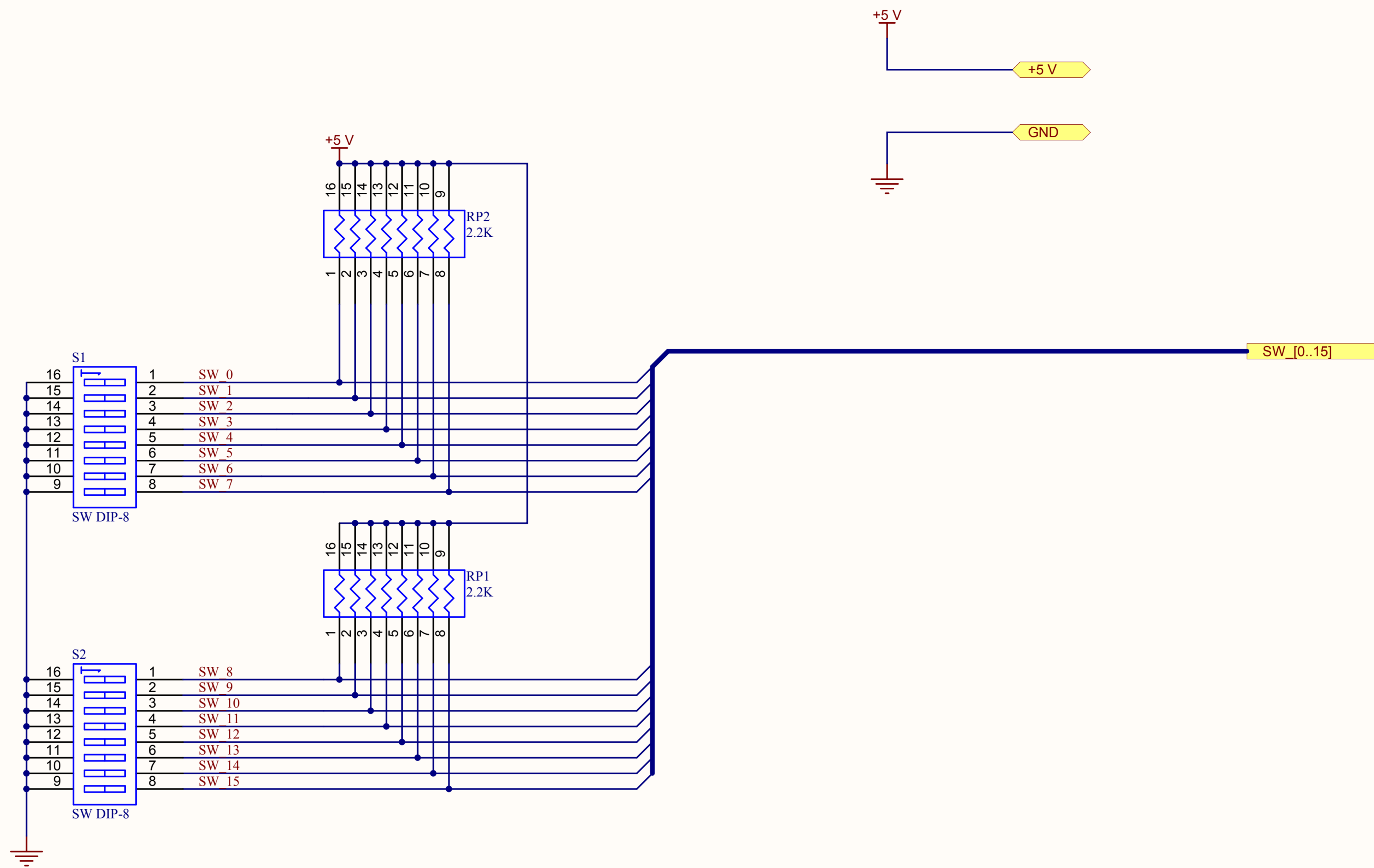
SCH-4110-1

SIZE

A2

SCALE N/A

SHEET 27 OF 29



COPYRIGHT
 THIS DOCUMENT & ENCLOSED
 INFORMATION REMAINS THE PROPERTY
 OF EOS TECHNOLOGIES INC.
 INTELLECTUAL PROPERTY AND
 INFORMATION HEREIN MAY NOT BE
 COPIED NOR DISCLOSED WITHOUT
 WRITTEN CONSENT OF EOS
 TECHNOLOGIES, INC. MANAGEMENT.

FILE Q:\electrical\COMMON\pcb_sch\ENCP_676\ENCPSwitch.sch
 PRINTED 1/6/2010 4:32:18 PM
 TEMPLATE: Eost_a23

EOS TECHNOLOGIES, Inc.

925 W. GRANT RD.
 TUCSON, ARIZONA 85705 USA

TITLE

ENCPSwitch

DOCUMENT NUMBER

SCH-4110-1

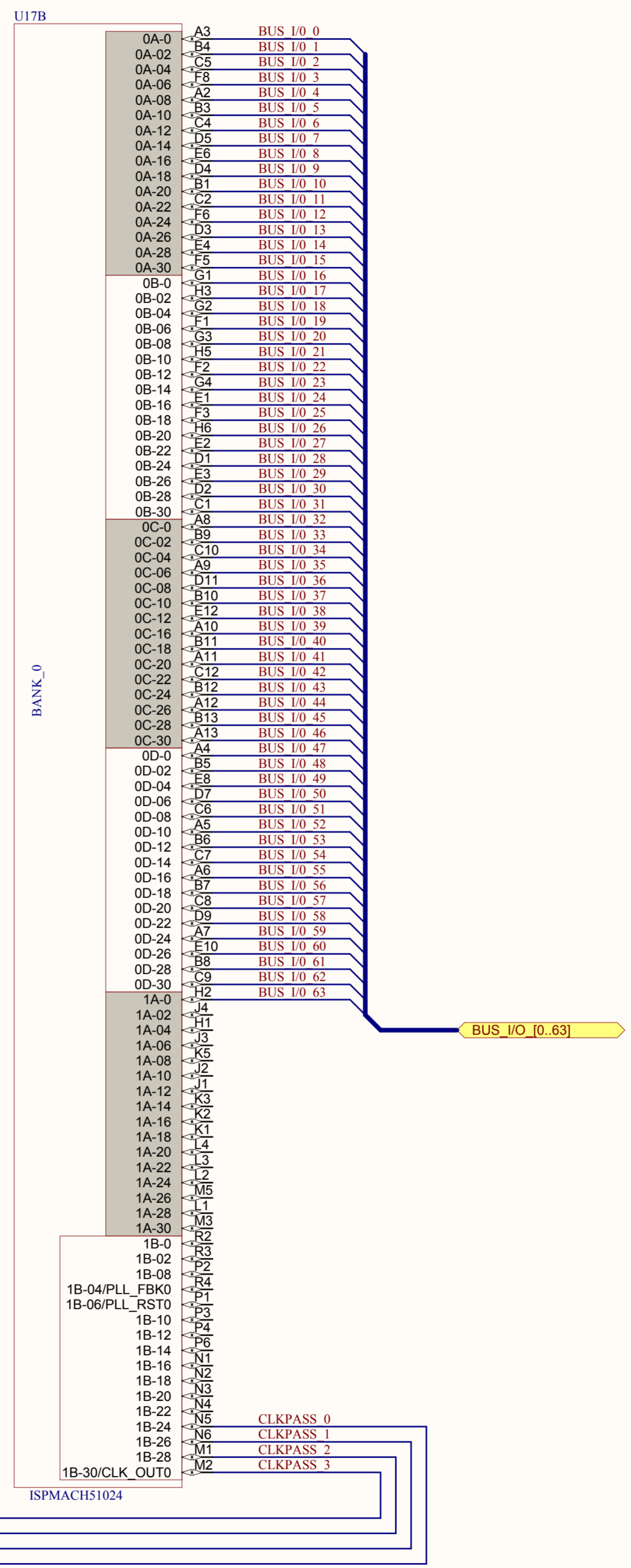
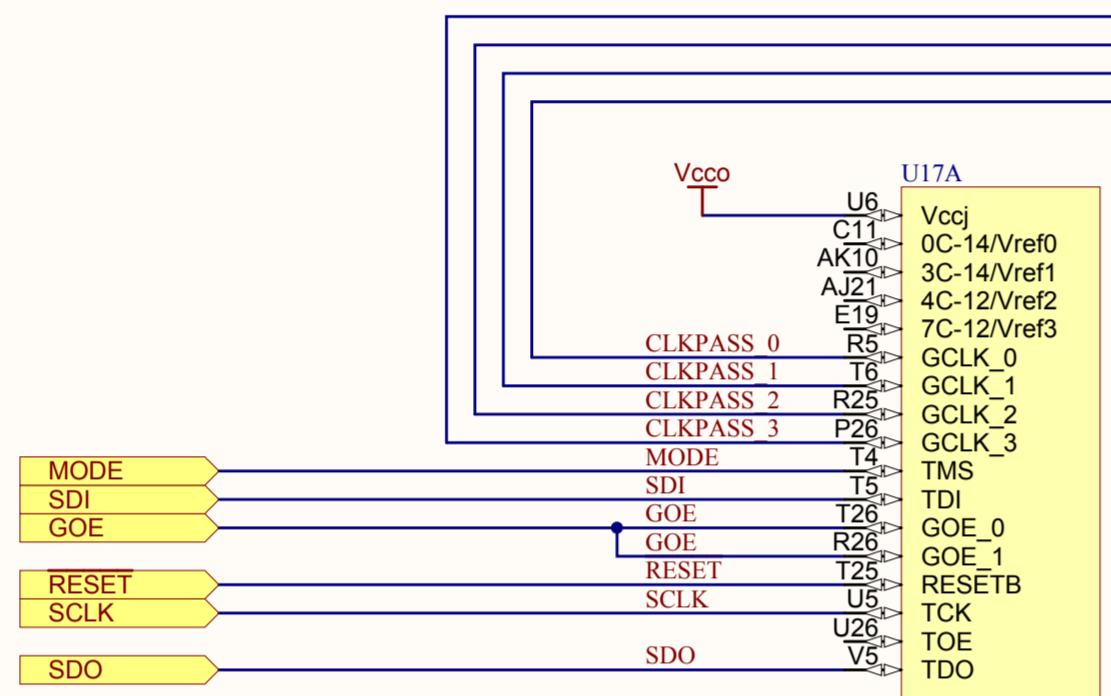
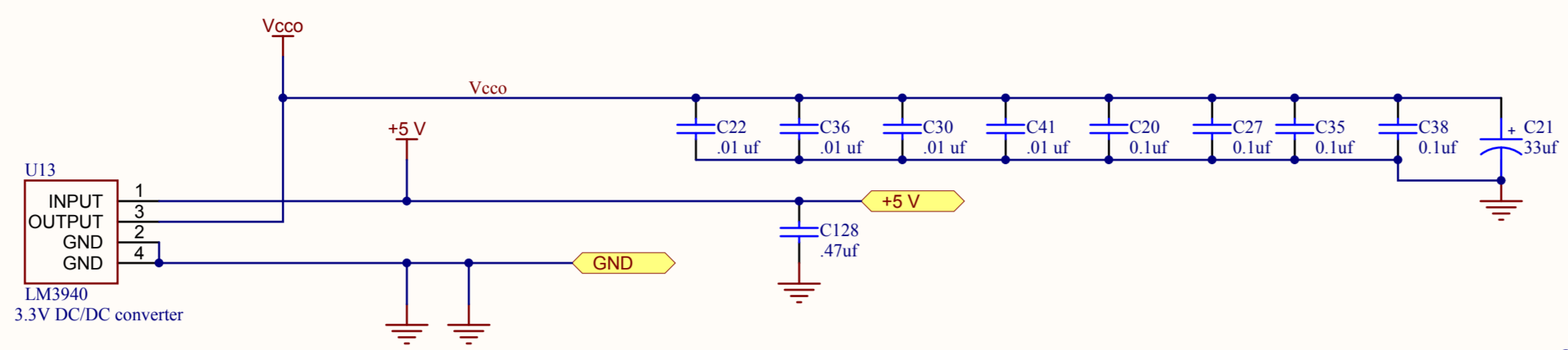
SIZE

A2

SCALE N/A

SHEET 28 OF 29

DRAWING NO

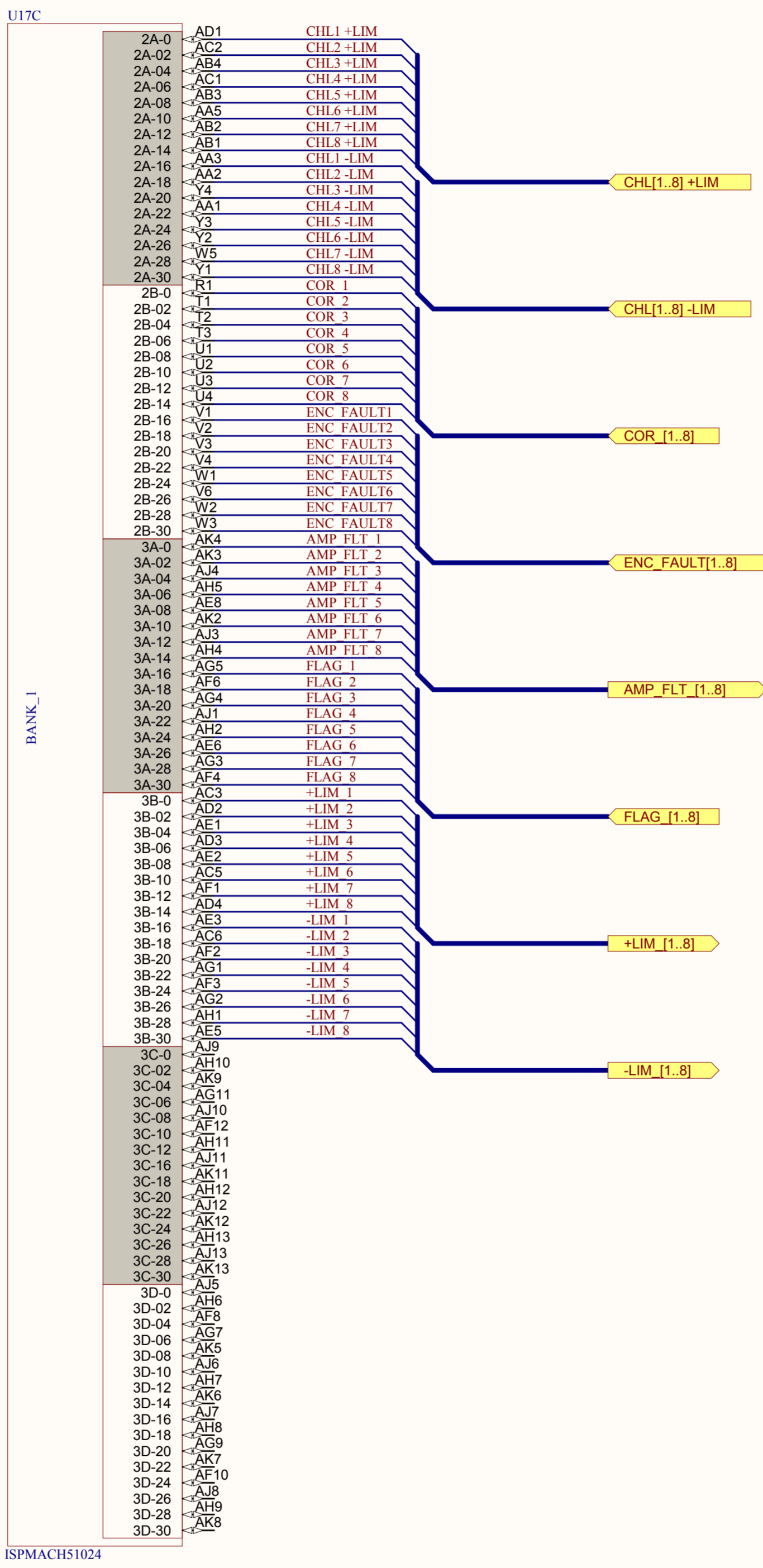


COPYRIGHT
 THIS DOCUMENT & ENCLOSED INFORMATION REMAINS THE PROPERTY OF EOS TECHNOLOGIES INC. INTELLECTUAL PROPERTY AND INFORMATION HEREIN MAY NOT BE COPIED NOR DISCLOSED WITHOUT WRITTEN CONSENT OF EOS TECHNOLOGIES, INC. MANAGEMENT.

FILE Q:\electrical\COMMON\pcb_sch\ENCP_676\enncp_Pla676_bank0.sch
 PRINTED 1/6/2010 4:32:19 PM
 TEMPLATE: eos1_A2

DRAWN	DATE	EOS TECHNOLOGIES, Inc. 925 W. GRANT RD. TUCSON, ARIZONA 85705 USA		
DESIGN	DATE	TITLE Pla676_bank0		
CHECKED	DATE	CAGE CODE 08QA1	DOCUMENT NUMBER SCH-4110-1	SIZE B
APPROVED	DATE	SCALE N/A	SHEET 22 OF 29	

DRAWING NO

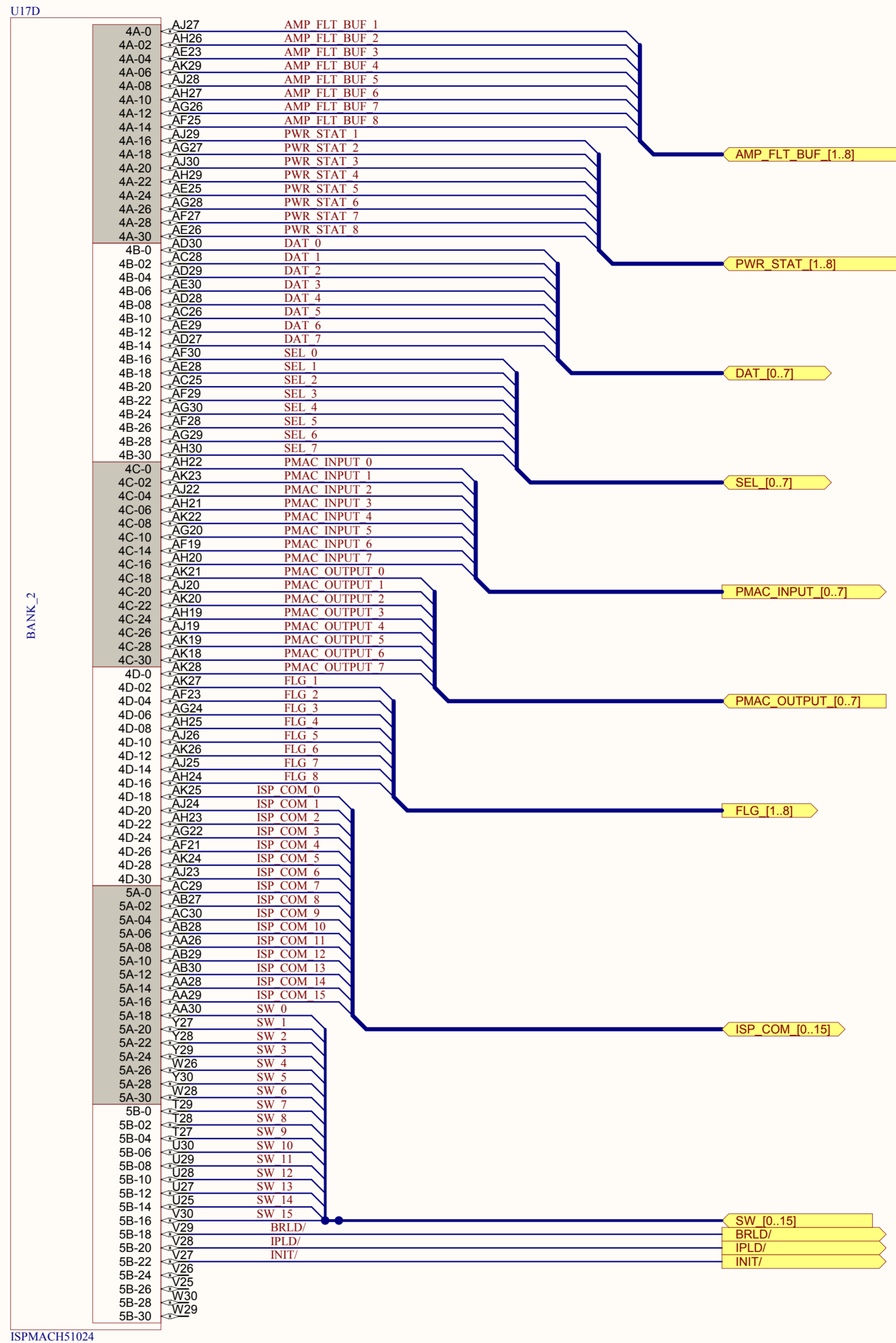


COPYRIGHT
 THIS DOCUMENT & ENCLOSED
 INFORMATION REMAINS THE PROPERTY
 OF EOS TECHNOLOGIES INC.
 INTELLECTUAL PROPERTY AND
 INFORMATION HEREIN MAY NOT BE
 COPIED NOR DISCLOSED WITHOUT
 WRITTEN CONSENT OF EOS
 TECHNOLOGIES, INC. MANAGEMENT.

FILE Q:\electrical\COMMON\pcb_sch\ENCP_676\enncp_Pla676_bank1.sch
 PRINTED 1/6/2010 4:32:20 PM
 TEMPLATE: eos1_A2

DRAWN	DATE	EOS TECHNOLOGIES, Inc. 925 W. GRANT RD. TUCSON, ARIZONA 85705 USA		
DESIGN	DATE	TITLE Pla676_bank1		
CHECKED	DATE	CAGE CODE 08QA1	DOCUMENT NUMBER SCH-4110-1	SIZE B
APPROVED	DATE	SCALE N/A	SHEET 23 OF 29	

DRAWING NO



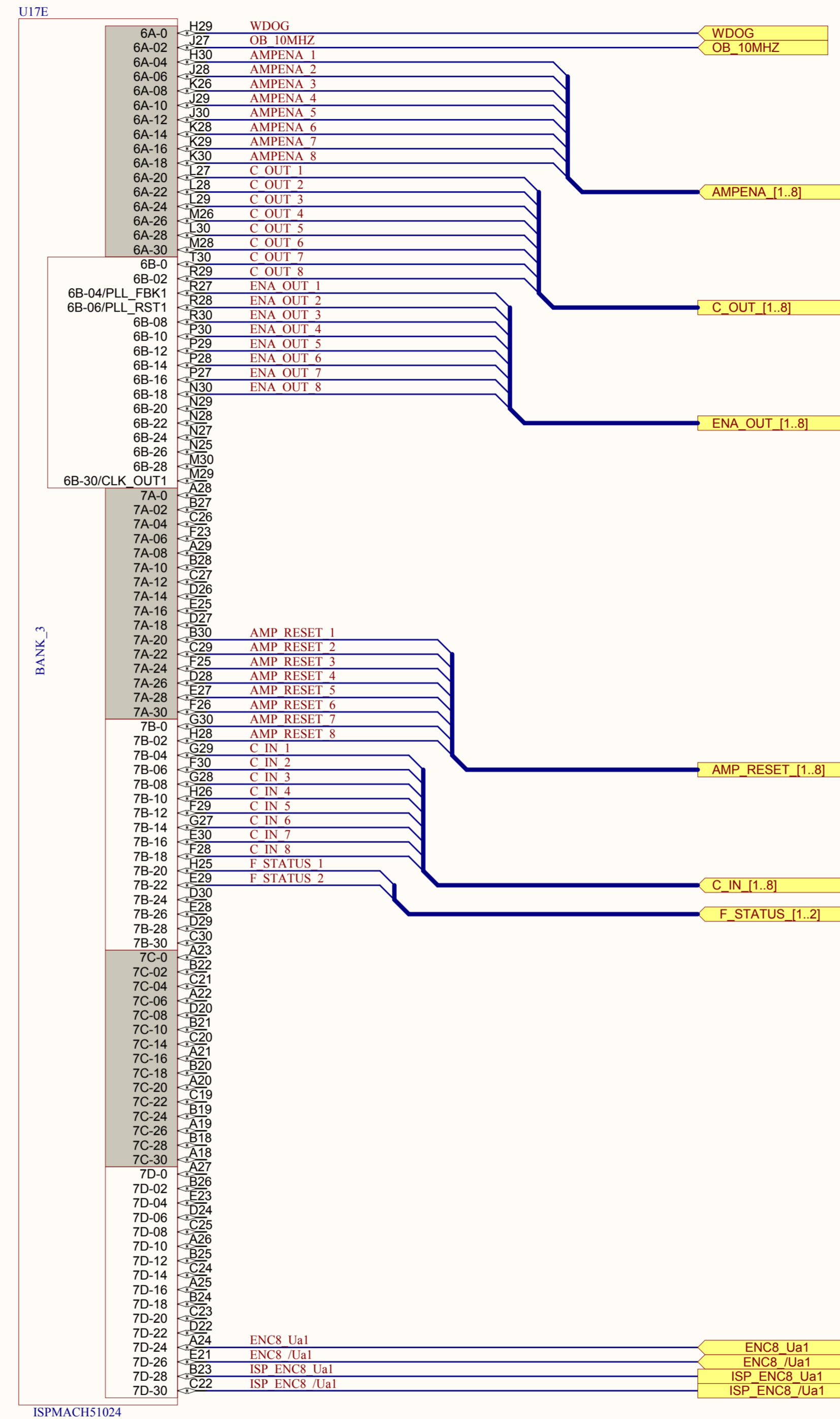
ISPMACH51024

COPYRIGHT
 THIS DOCUMENT & ENCLOSED INFORMATION REMAINS THE PROPERTY OF EOS TECHNOLOGIES INC. INTELLECTUAL PROPERTY AND INFORMATION HEREIN MAY NOT BE COPIED NOR DISCLOSED WITHOUT WRITTEN CONSENT OF EOS TECHNOLOGIES, INC. MANAGEMENT.

FILE Q:\electrical\COMMON\pcb_sch\ENCP_676\enclp_Pla676_bank2.sch
 PRINTED 1/6/2010 4:32:21 PM
 TEMPLATE: eos1_A2

DRAWN	DATE	EOS TECHNOLOGIES, Inc. 925 W. GRANT RD. TUCSON, ARIZONA 85705 USA		
DESIGN	DATE	TITLE Pla676_bank2		
CHECKED	DATE	CAGE CODE 08QA1	DOCUMENT NUMBER SCH-4110-1	SIZE B
APPROVED	DATE	SCALE N/A	SHEET 24 OF 29	

DRAWING NO



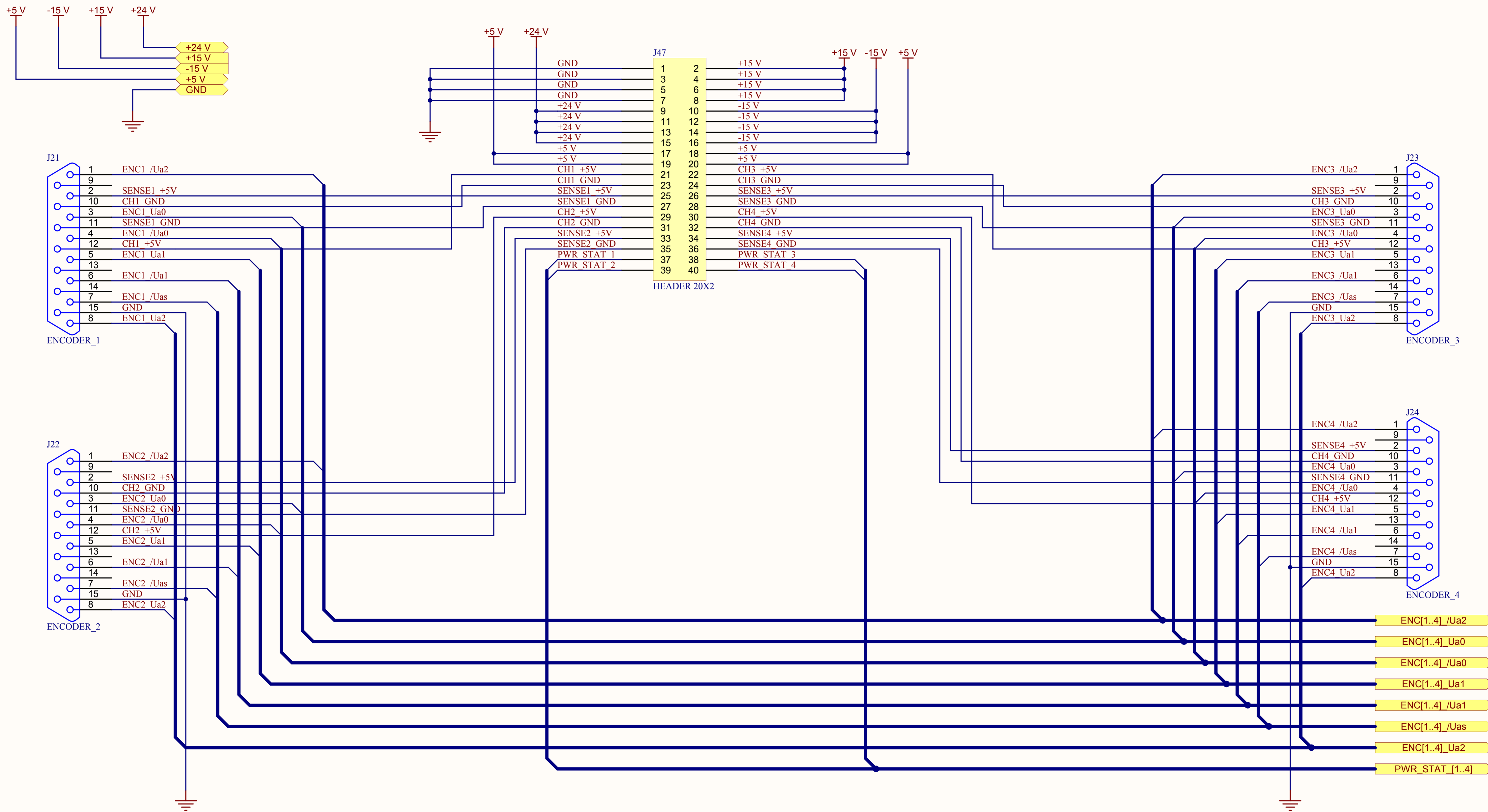
ISPMACH51024

COPYRIGHT
 THIS DOCUMENT & ENCLOSED INFORMATION REMAINS THE PROPERTY OF EOS TECHNOLOGIES INC. INTELLECTUAL PROPERTY AND INFORMATION HEREIN MAY NOT BE COPIED NOR DISCLOSED WITHOUT WRITTEN CONSENT OF EOS TECHNOLOGIES, INC. MANAGEMENT.

FILE Q:\electrical\COMMON\pcb_sch\ENCP_676\enclp_Pla676_bank3.sch
 PRINTED 1/6/2010 4:32:22 PM
 TEMPLATE: eos1_A2

DRAWN	DATE	EOS TECHNOLOGIES, Inc. 925 W. GRANT RD. TUCSON, ARIZONA 85705 USA		
DESIGN	DATE	TITLE Pla676_bank3		
CHECKED	DATE	CAGE CODE 08QA1	DOCUMENT NUMBER SCH-4110-1	SIZE B
APPROVED	DATE	SCALE N/A	SHEET 25 OF 29	

SCH-4110-1



COPYRIGHT
 THIS DOCUMENT & ENCLOSED
 INFORMATION REMAINS THE PROPERTY
 OF EOS TECHNOLOGIES INC.
 INTELLECTUAL PROPERTY AND
 INFORMATION HEREIN MAY NOT BE
 COPIED NOR DISCLOSED WITHOUT
 WRITTEN CONSENT OF EOS
 TECHNOLOGIES, INC. MANAGEMENT.

FILE Q:\electrical\COMMON\pcb_sch\ENCP_676\ENC_INPUTS.sch
 PRINTED 1/6/2010 4:32:22 PM
 TEMPLATE: Eost_a23

EOS TECHNOLOGIES, Inc.

925 W. GRANT RD.
 TUCSON, ARIZONA 85705 USA

TITLE

ENC_INPUTS

DOCUMENT NUMBER

SCH-4110-1

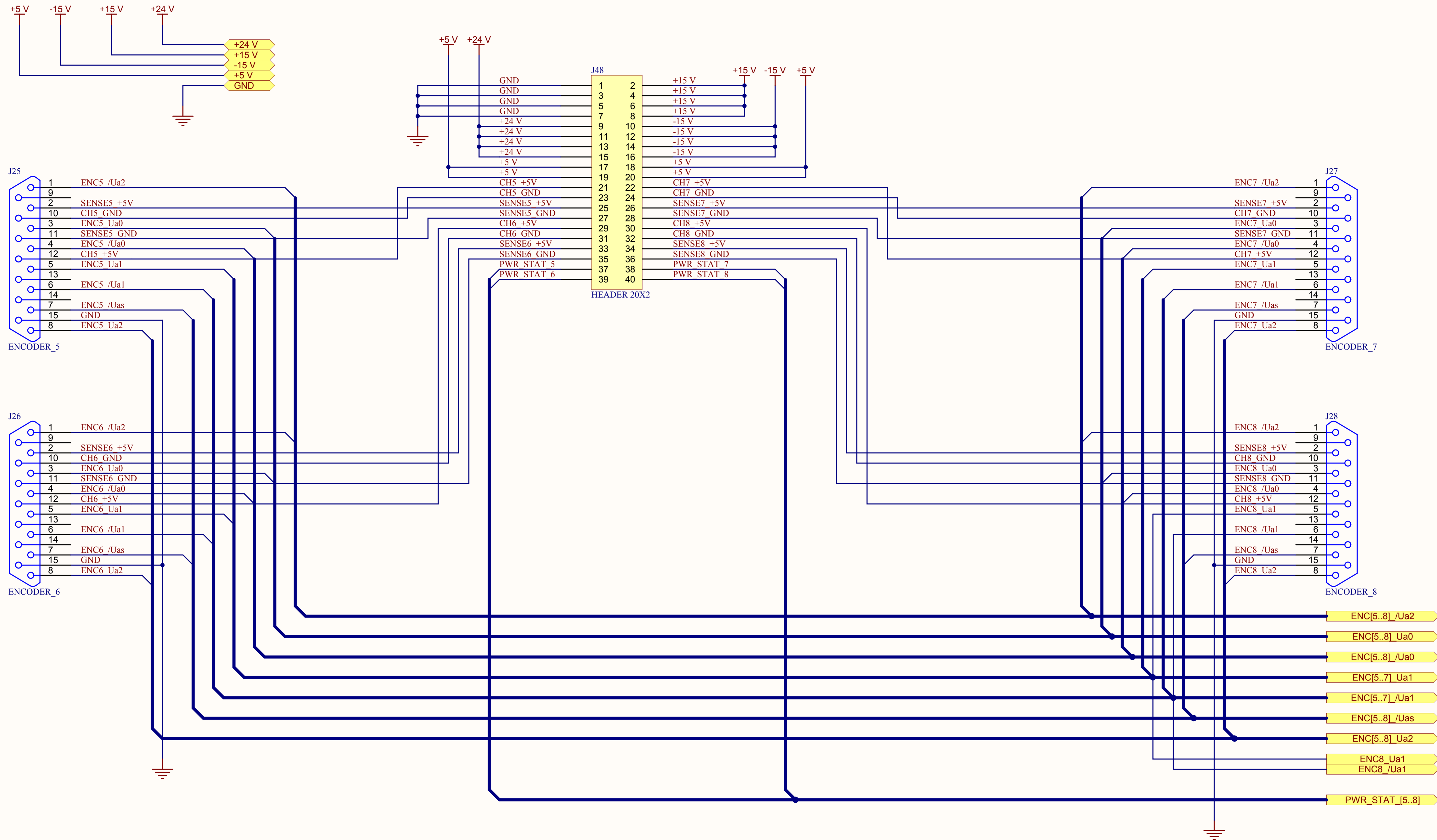
SIZE

A2

SCALE N/A

SHEET 13 OF 29

SCH-4110-1



COPYRIGHT

THIS DOCUMENT & ENCLOSED INFORMATION REMAINS THE PROPERTY OF EOS TECHNOLOGIES INC. INTELLECTUAL PROPERTY AND INFORMATION HEREIN MAY NOT BE COPIED NOR DISCLOSED WITHOUT WRITTEN CONSENT OF EOS TECHNOLOGIES, INC. MANAGEMENT.

FILE Q:\electrical\COMMON\pcb_sch\ENCP_676\ENC_INPUT_B.Sch
 PRINTED 1/6/2010 4:32:23 PM
 TEMPLATE: Eost_a23

EOS TECHNOLOGIES, Inc.

925 W. GRANT RD.
 TUCSON, ARIZONA 85705 USA

TITLE

ENCODER_INPUT_B

DOCUMENT NUMBER

SCH-4110-1

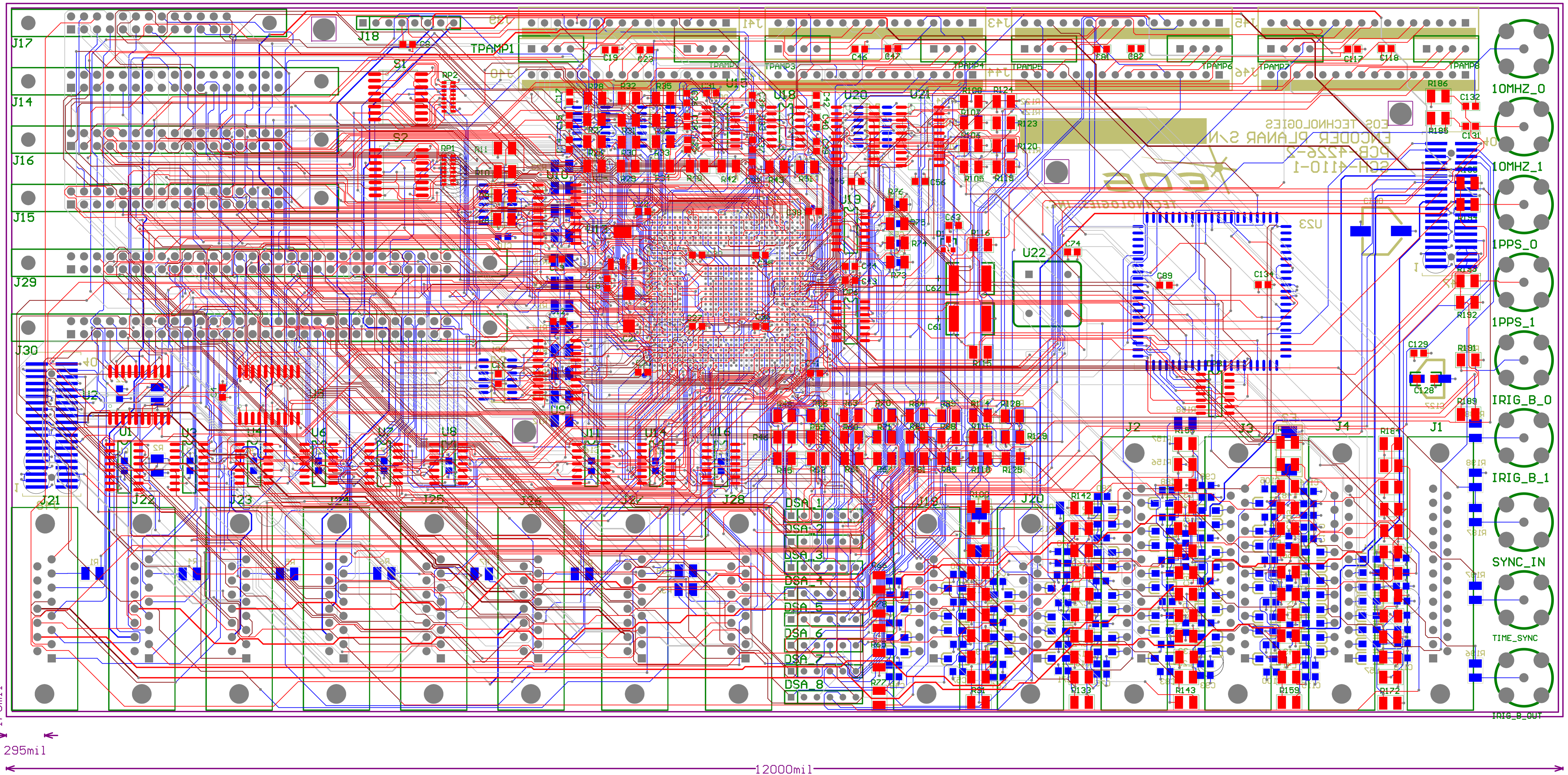
SIZE

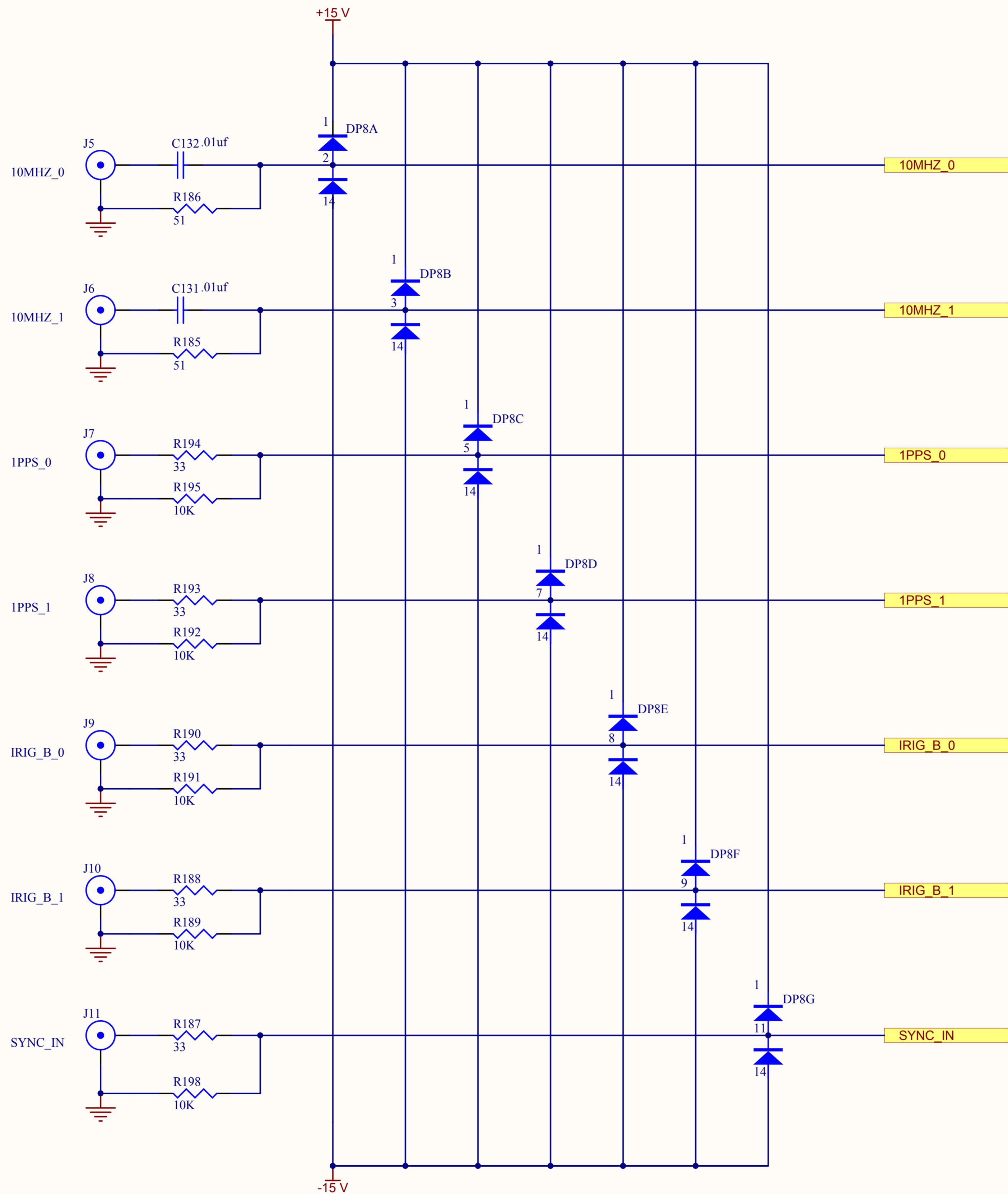
A2

SCALE N/A

SHEET 14 OF 29

GEN_Encp_676





COPYRIGHT
 THIS DOCUMENT & ENCLOSED
 INFORMATION REMAINS THE PROPERTY
 OF EOS TECHNOLOGIES INC.
 INTELLECTUAL PROPERTY AND
 INFORMATION HEREIN MAY NOT BE
 COPIED NOR DISCLOSED WITHOUT
 WRITTEN CONSENT OF EOS
 TECHNOLOGIES, INC. MANAGEMENT.

FILE Q:\electrical\COMMON\pcb_sch\ENCP_676\INPUT.SCH
 PRINTED 1/6/2010 4:32:28 PM
 TEMPLATE: Eost_a23

EOS TECHNOLOGIES, Inc.

925 W. GRANT RD.
 TUCSON, ARIZONA 85705 USA

TITLE

INPUT

DOCUMENT NUMBER

SCH-4110-1

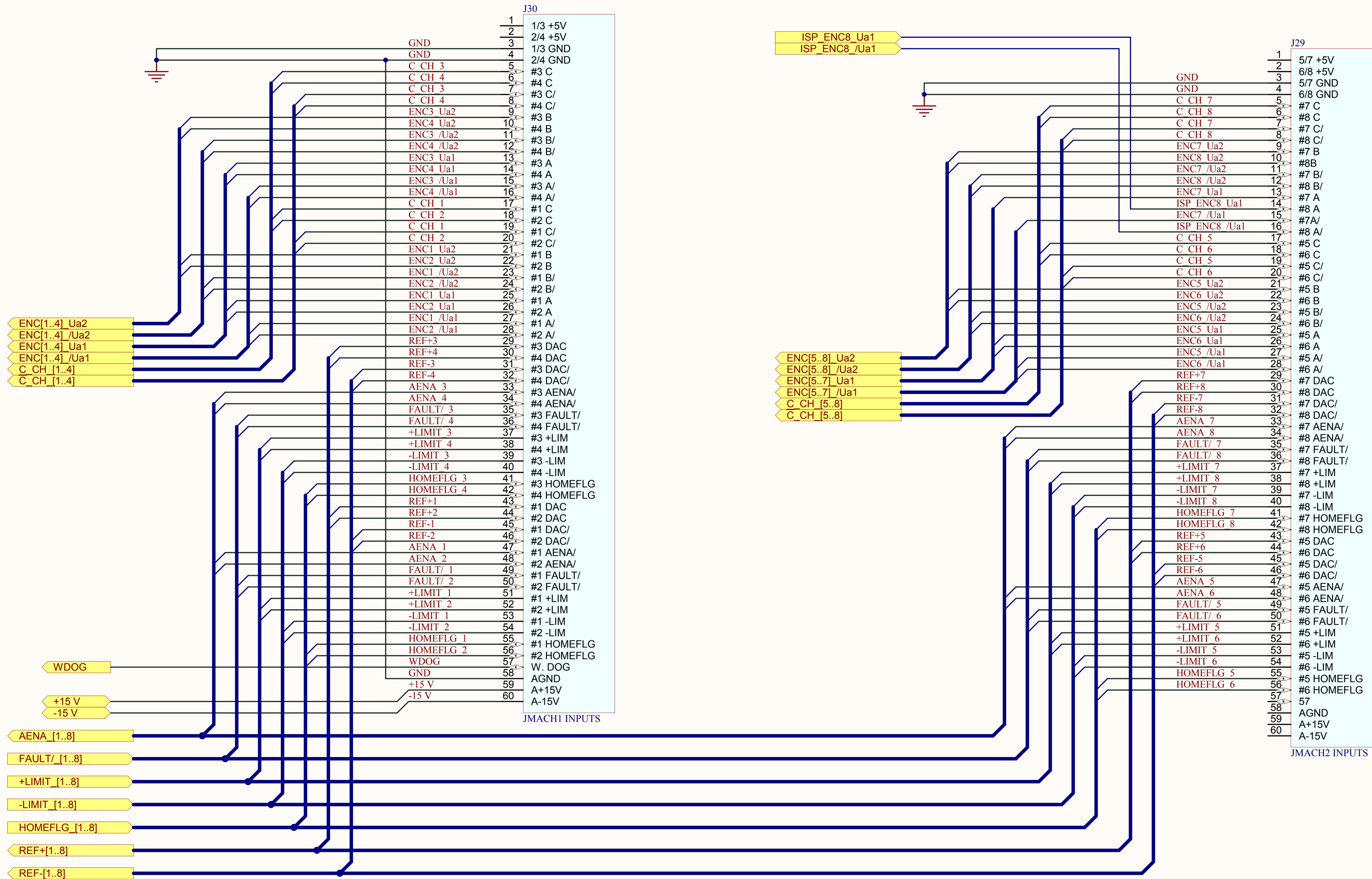
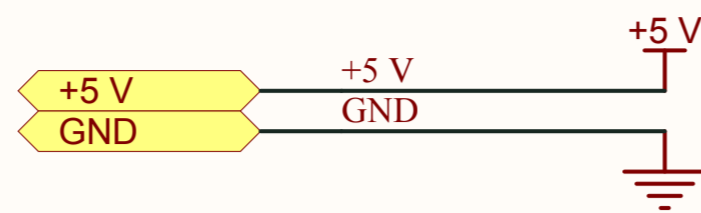
SIZE

A2

SCALE N/A

SHEET 20 OF 29

SCH-4110-1



COPYRIGHT
 THIS DOCUMENT & ENCLOSED
 INFORMATION REMAINS THE PROPERTY
 OF EOS TECHNOLOGIES INC.
 INTELLECTUAL PROPERTY AND
 INFORMATION HEREIN MAY NOT BE
 COPIED NOR DISCLOSED WITHOUT
 WRITTEN CONSENT OF EOS
 TECHNOLOGIES, INC. MANAGEMENT.

FILE Q:\electrical\COMMON\pcb_sch\ENCP_676\JMACHS.sch
 PRINTED 1/6/2010 4:32:29 PM
 TEMPLATE: Eost_a23

EOS TECHNOLOGIES, Inc.

925 W. GRANT RD.
 TUCSON, ARIZONA 85705 USA

TITLE

JMACHS

DOCUMENT NUMBER

SCH-4110-1

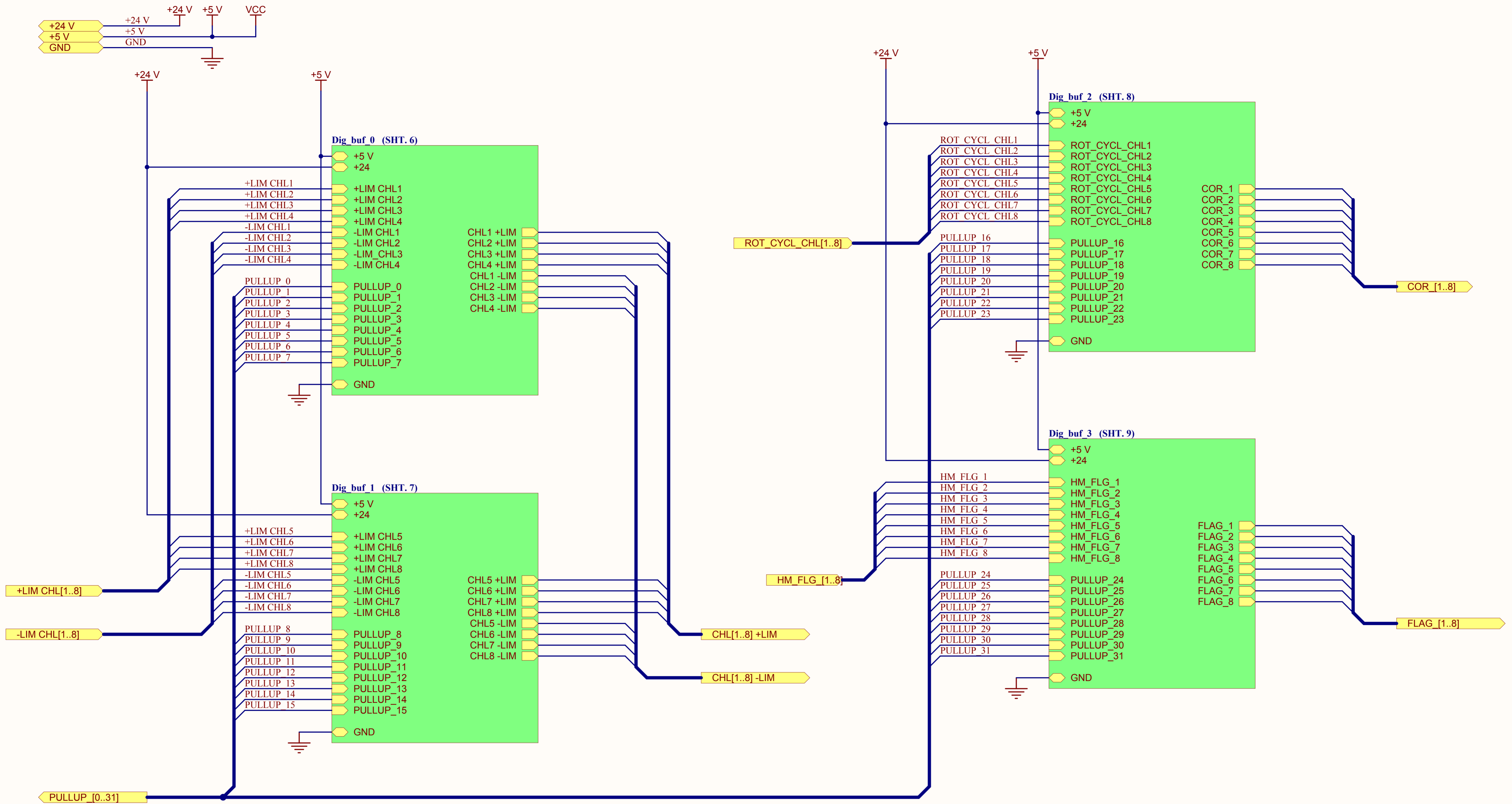
SIZE

A2

SCALE N/A

SHEET 10 OF 29

SCH-4110-1



COPYRIGHT
 THIS DOCUMENT & ENCLOSED
 INFORMATION REMAINS THE PROPERTY
 OF EOS TECHNOLOGIES INC.
 INTELLECTUAL PROPERTY AND
 INFORMATION HEREIN MAY NOT BE
 COPIED NOR DISCLOSED WITHOUT
 WRITTEN CONSENT OF EOS
 TECHNOLOGIES, INC. MANAGEMENT.

FILE Q:\electrical\COMMON\pcb_sch\ENCP_676\LIMIT_BUF.Sch
 PRINTED 1/6/2010 4:32:30 PM
 TEMPLATE: Eost_a23

EOS TECHNOLOGIES, Inc.

925 W. GRANT RD.
 TUCSON, ARIZONA 85705 USA

TITLE

LIMIT_BUF

DOCUMENT NUMBER

SCH-4110-1

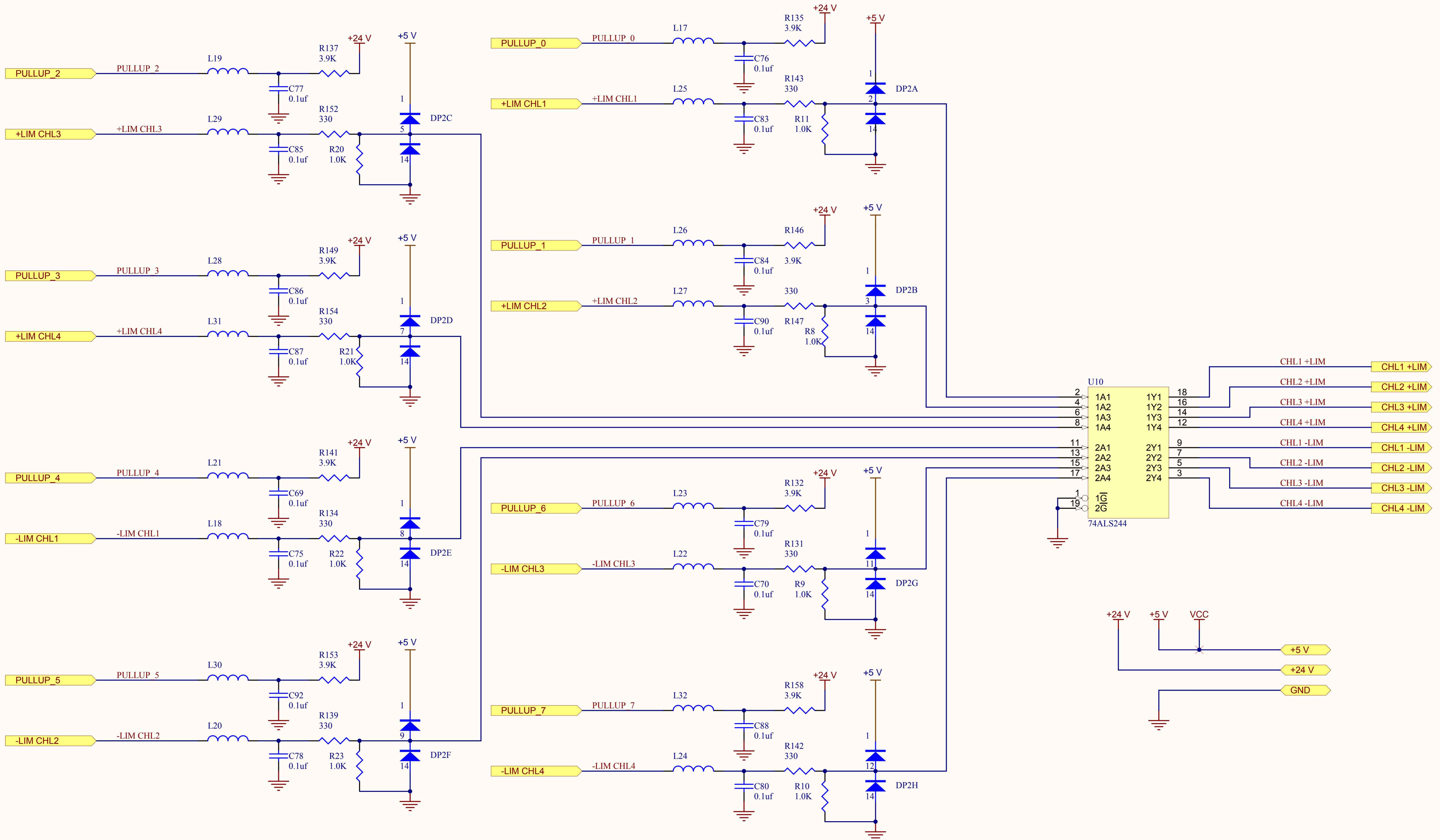
SIZE

A2

SCALE N/A

SHEET 5 OF 29

SCH-4110-1



COPYRIGHT
 THIS DOCUMENT & ENCLOSED
 INFORMATION REMAINS THE PROPERTY
 OF EOS TECHNOLOGIES INC.
 INTELLECTUAL PROPERTY AND
 INFORMATION HEREIN MAY NOT BE
 COPIED NOR DISCLOSED WITHOUT
 WRITTEN CONSENT OF EOS
 TECHNOLOGIES, INC. MANAGEMENT.

FILE Q:\electrical\COMMON\pcb_sch\ENCP_676\Dig_buf_0.sch
 PRINTED 1/6/2010 4:32:31 PM
 TEMPLATE: Eost_a23

EOS TECHNOLOGIES, Inc.

925 W. GRANT RD.
 TUCSON, ARIZONA 85705 USA

TITLE

dig_buf_0

DOCUMENT NUMBER

SCH-4110-1

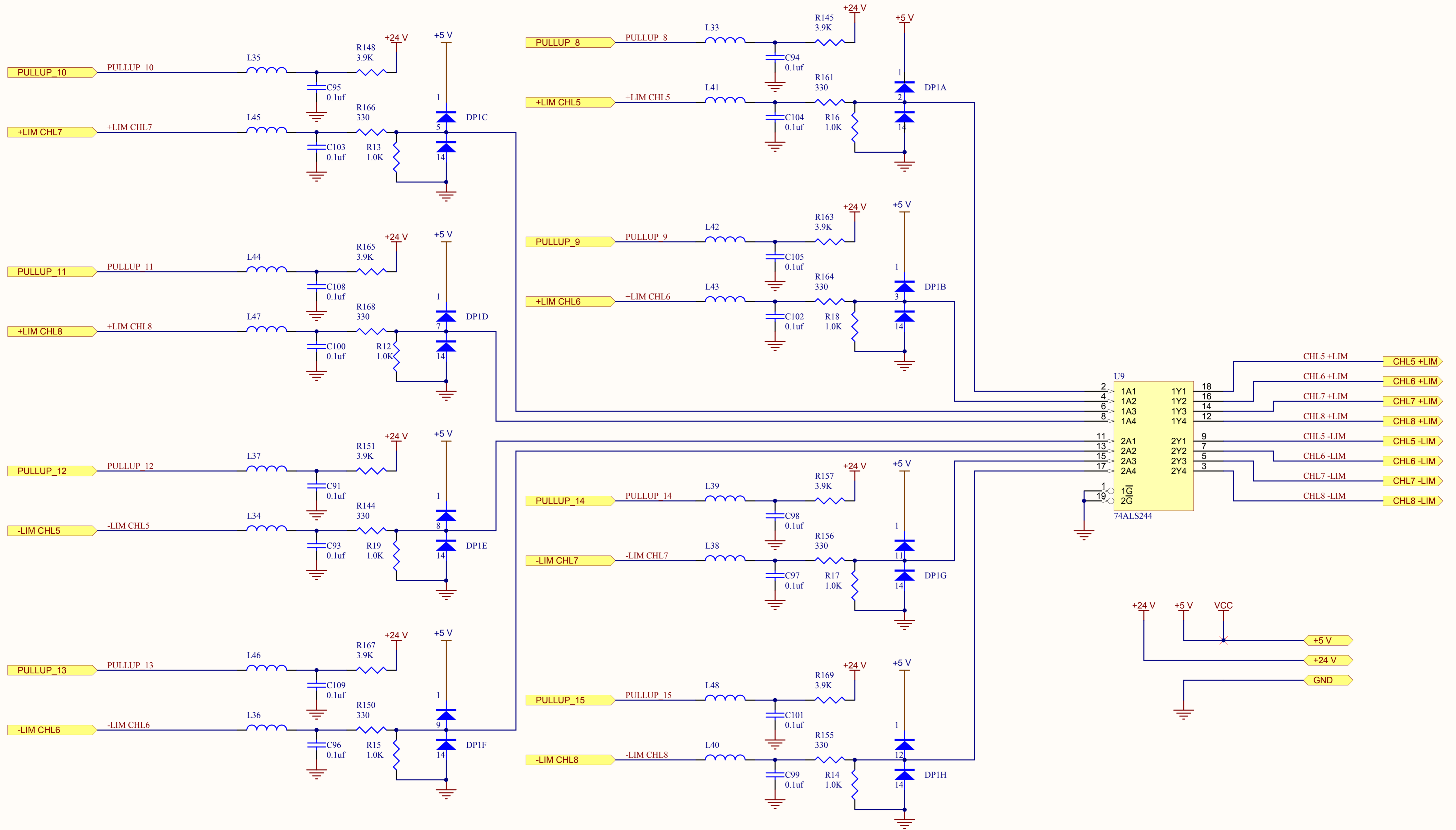
SIZE

A2

SCALE N/A

SHEET 6 OF 29

SCH-4110-1



COPYRIGHT
 THIS DOCUMENT & ENCLOSED
 INFORMATION REMAINS THE PROPERTY
 OF EOS TECHNOLOGIES INC.
 INTELLECTUAL PROPERTY AND
 INFORMATION HEREIN MAY NOT BE
 COPIED NOR DISCLOSED WITHOUT
 WRITTEN CONSENT OF EOS
 TECHNOLOGIES, INC. MANAGEMENT.

FILE Q:\electrical\COMMON\pcb_sch\ENCP_676\Dig_buf_1.sch
 PRINTED 1/6/2010 4:32:32 PM
 TEMPLATE: Eost_a23

EOS TECHNOLOGIES, Inc.

925 W. GRANT RD.
 TUCSON, ARIZONA 85705 USA

TITLE

dig_buf_1

DOCUMENT NUMBER

SCH-4110-1

SIZE

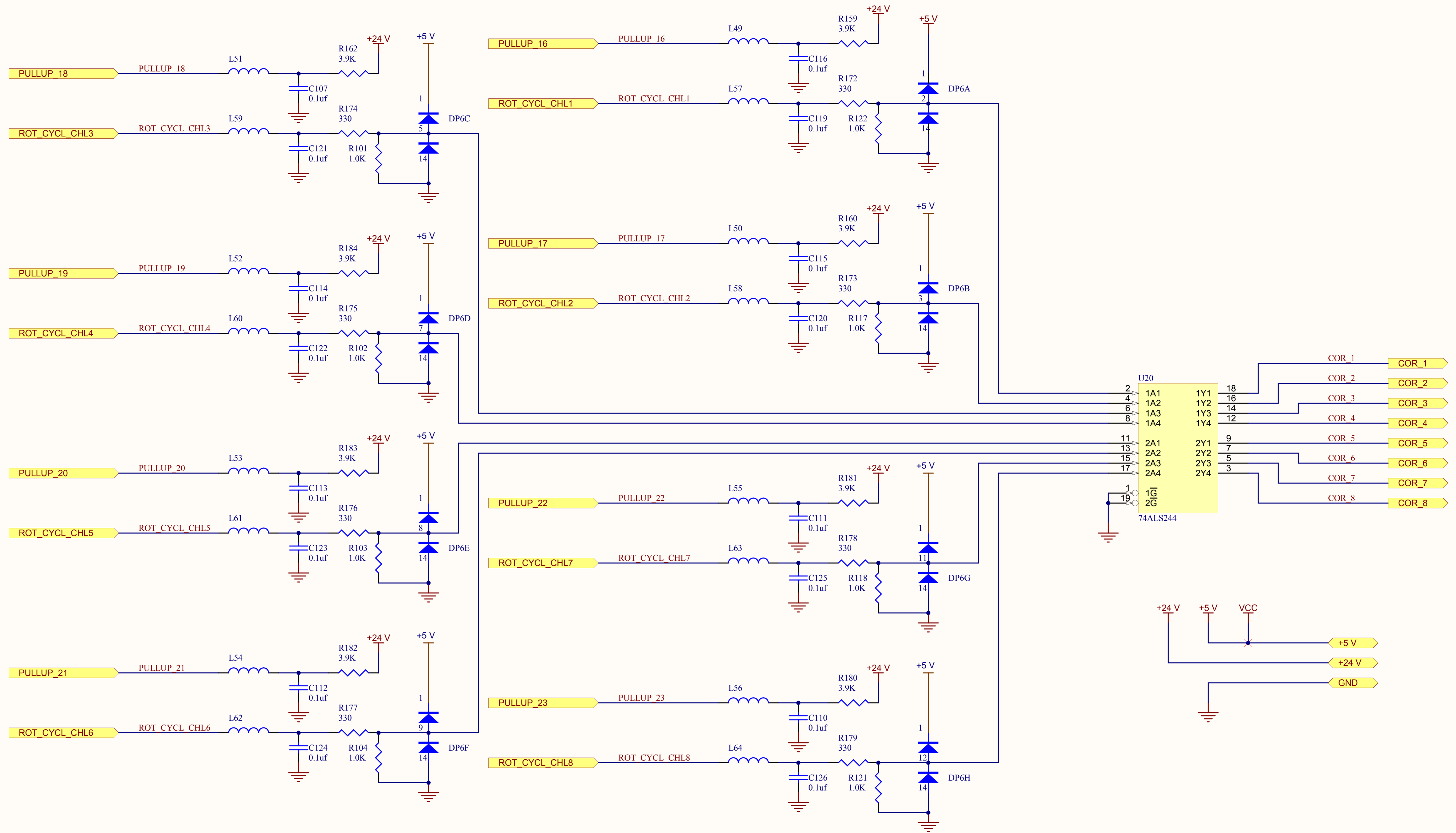
A2

SCALE N/A

SHEET 7 OF 29

SCH-4110-1 dig_buf_1

SCH-4110-1



COPYRIGHT

THIS DOCUMENT & ENCLOSED INFORMATION REMAINS THE PROPERTY OF EOS TECHNOLOGIES INC. INTELLECTUAL PROPERTY AND INFORMATION HEREIN MAY NOT BE COPIED NOR DISCLOSED WITHOUT WRITTEN CONSENT OF EOS TECHNOLOGIES, INC. MANAGEMENT.

FILE Q:\electrical\COMMON\pcb_sch\ENCP_676\Dig_buf_2.sch
 PRINTED 1/6/2010 4:32:33 PM
 TEMPLATE: Eost_a23

EOS TECHNOLOGIES, Inc.

925 W. GRANT RD.
 TUCSON, ARIZONA 85705 USA

TITLE

dig_buf_2

DOCUMENT NUMBER

SCH-4110-1

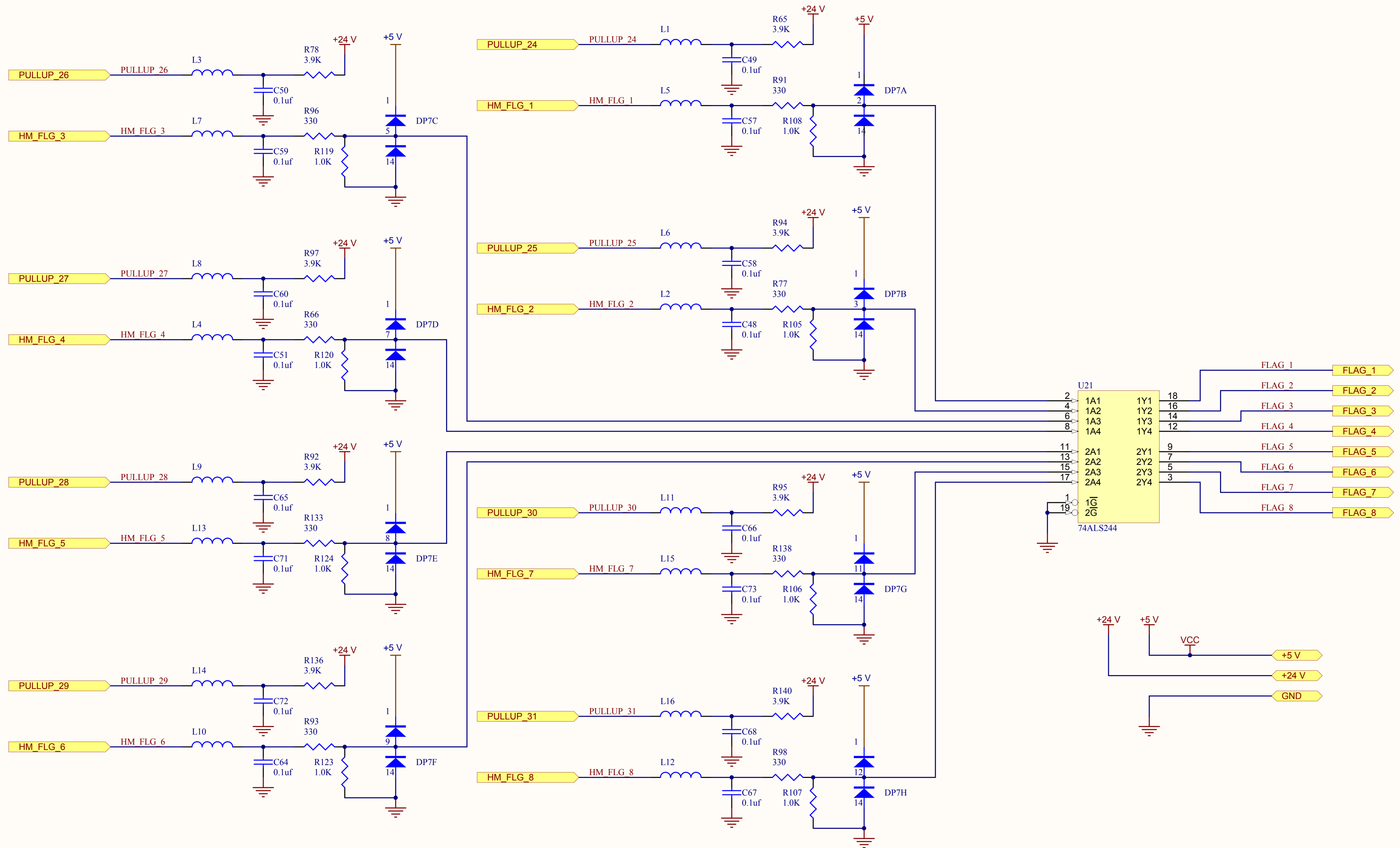
SIZE

A2

SCALE N/A

SHEET 8 OF 29

SCH-4110-1



COPYRIGHT
 THIS DOCUMENT & ENCLOSED
 INFORMATION REMAINS THE PROPERTY
 OF EOS TECHNOLOGIES INC.
 INTELLECTUAL PROPERTY AND
 INFORMATION HEREIN MAY NOT BE
 COPIED NOR DISCLOSED WITHOUT
 WRITTEN CONSENT OF EOS
 TECHNOLOGIES, INC. MANAGEMENT.

FILE Q:\electrical\COMMON\pcb_sch\ENCP_676\Dig_buf_3.sch
 PRINTED 1/6/2010 4:32:34 PM
 TEMPLATE: Eost_a23

EOS TECHNOLOGIES, Inc.

925 W. GRANT RD.
 TUCSON, ARIZONA 85705 USA

TITLE

dig_buf_3

DOCUMENT NUMBER

SCH-4110-1

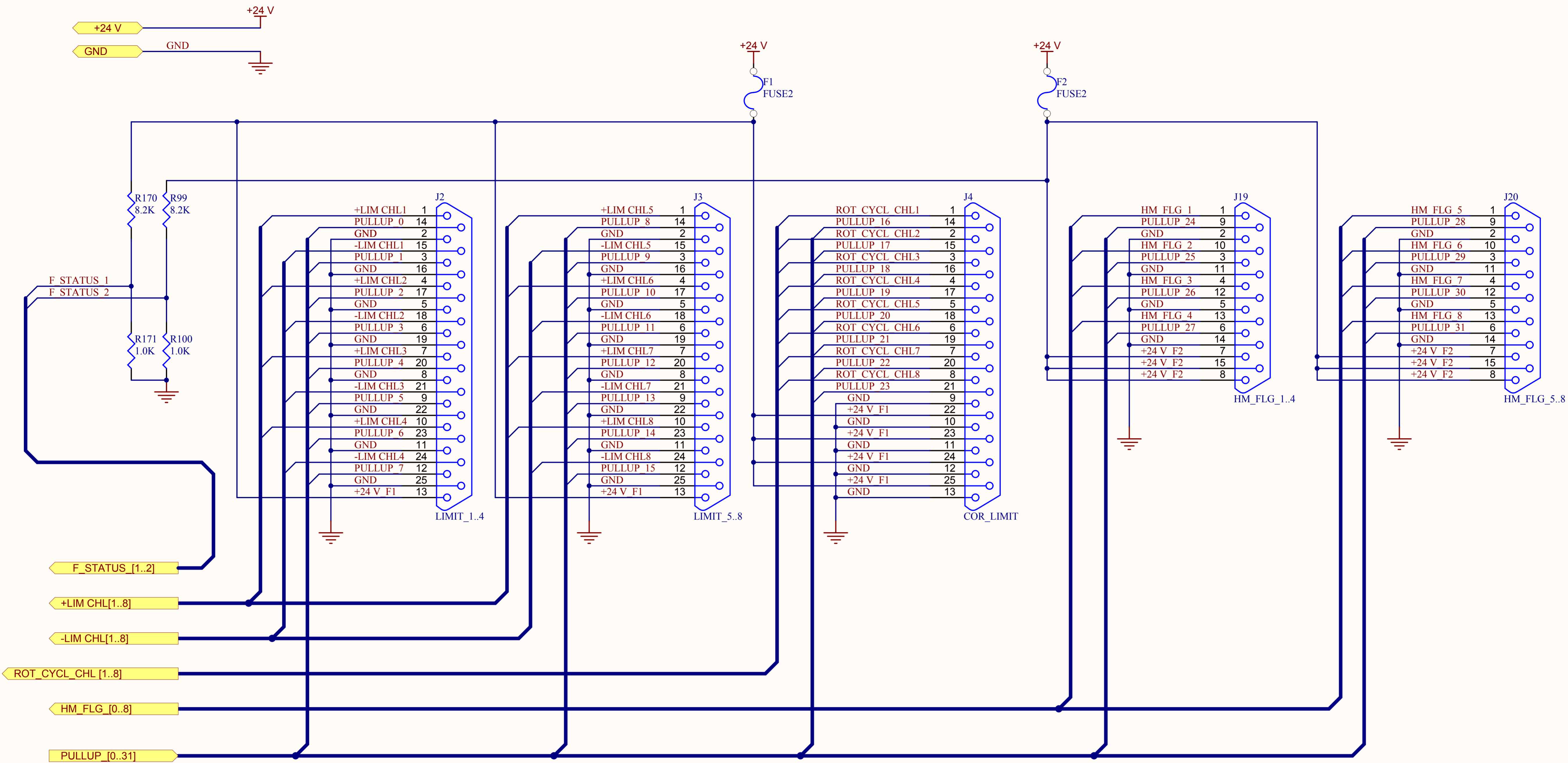
SIZE

A2

SCALE N/A

SHEET 9 OF 29

SCH-4110-1



COPYRIGHT
 THIS DOCUMENT & ENCLOSED
 INFORMATION REMAINS THE PROPERTY
 OF EOS TECHNOLOGIES INC.
 INTELLECTUAL PROPERTY AND
 INFORMATION HEREIN MAY NOT BE
 COPIED NOR DISCLOSED WITHOUT
 WRITTEN CONSENT OF EOS
 TECHNOLOGIES, INC. MANAGEMENT.

FILE Q:\electrical\COMMON\pcb_sch\ENCP_676\LIMIT_INPUTS.Sch
 PRINTED 1/6/2010 4:32:35 PM
 TEMPLATE: Eost_a23

EOS TECHNOLOGIES, Inc.

925 W. GRANT RD.
 TUCSON, ARIZONA 85705 USA

TITLE

LIMIT_INPUTS

DOCUMENT NUMBER

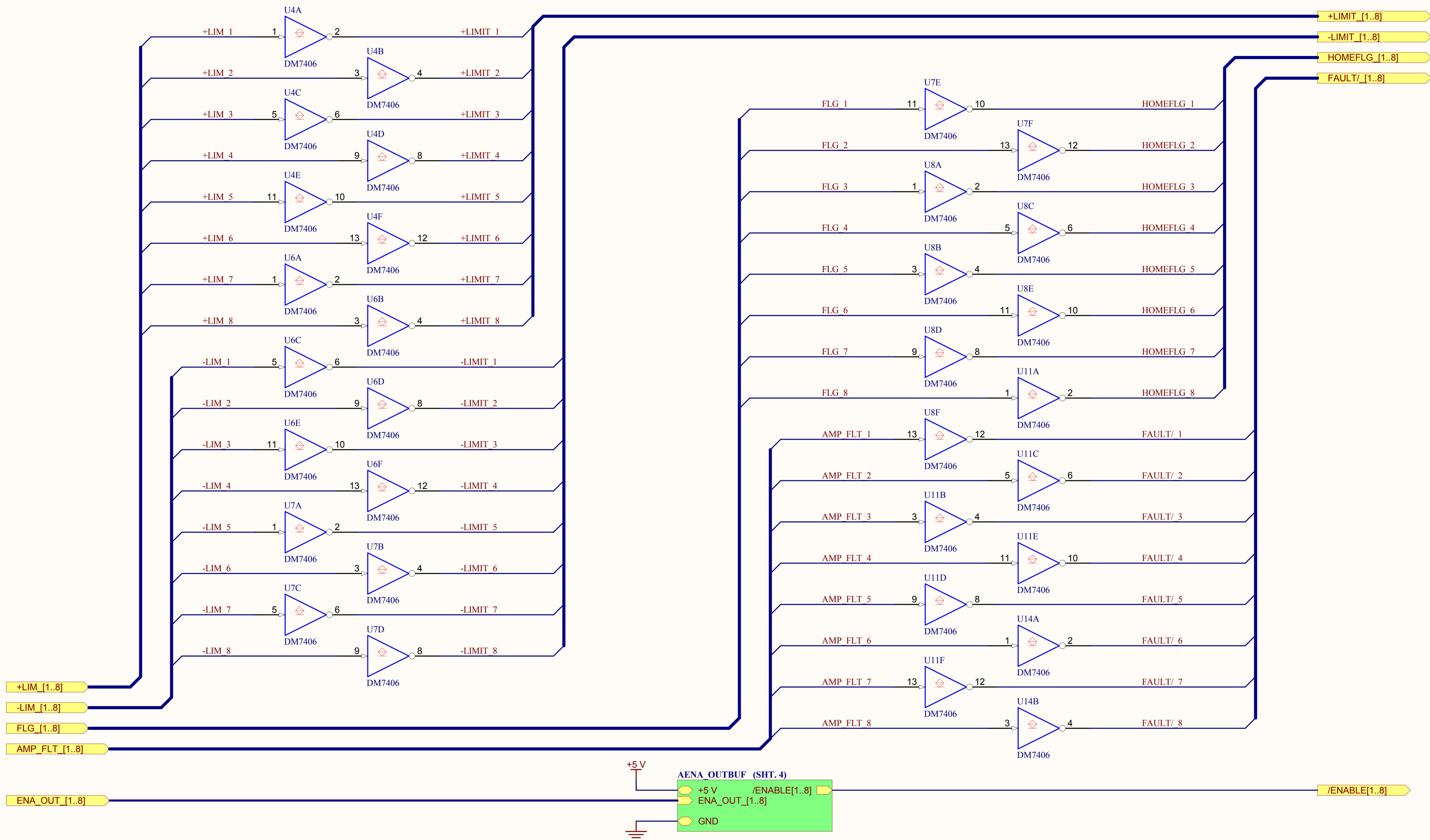
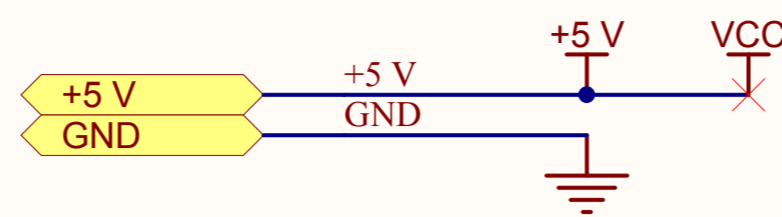
SCH-4110-1

SIZE

A2

SCALE N/A

SHEET 19 OF 29



- +LIM [1..8]
- LIM [1..8]
- FLG [1..8]
- AMP_FLT [1..8]
- ENA_OUT [1..8]

- +LIMIT [1..8]
- LIMIT [1..8]
- HOMEFLG [1..8]
- FAULT/ [1..8]

AENA_OUTBUF (SHT. 4)

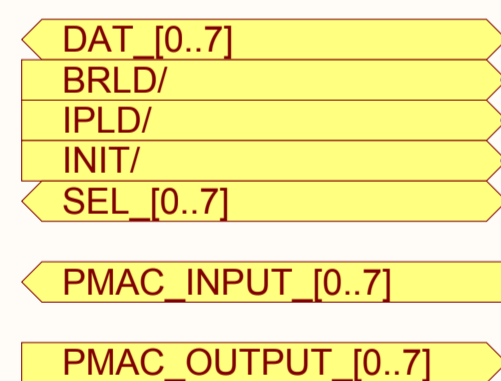
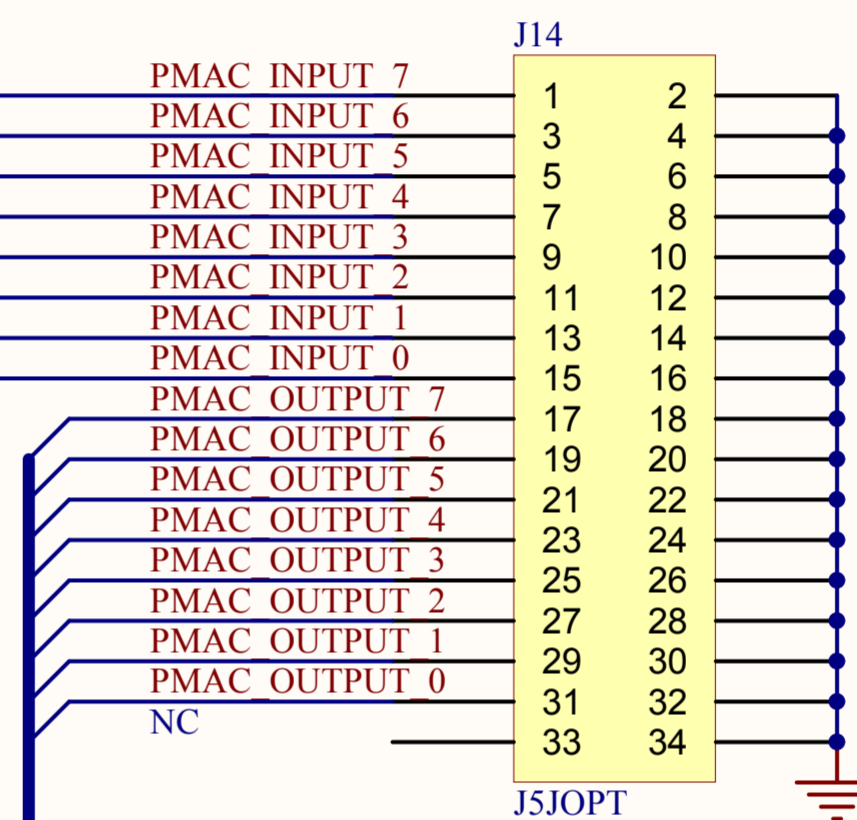
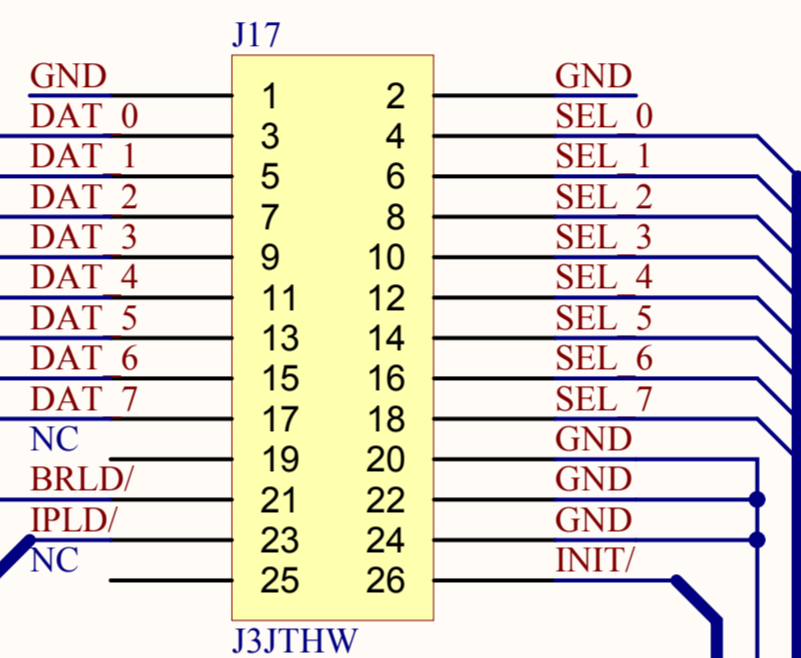
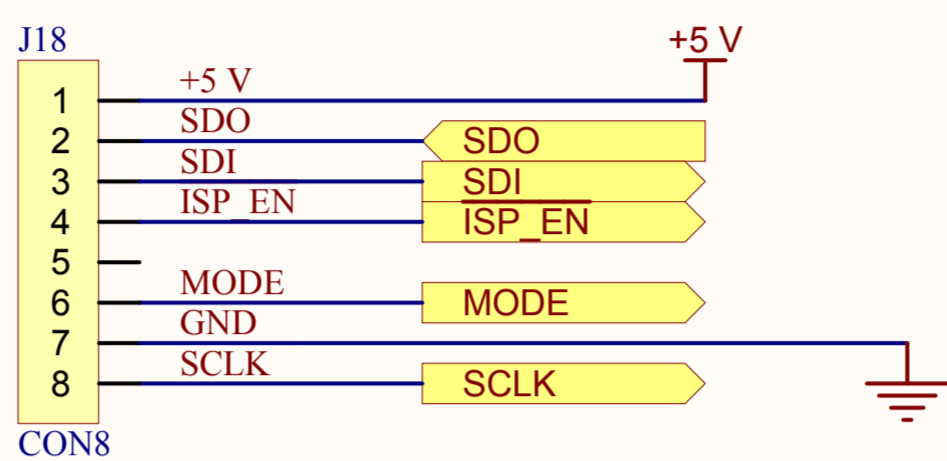
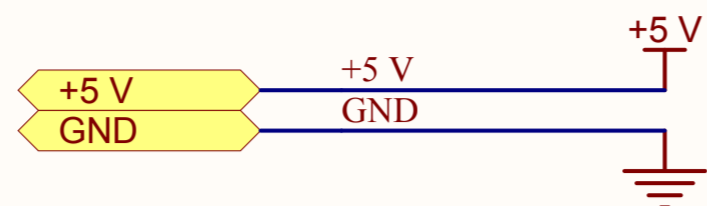
- +5 V /ENABLE[1..8]
- ENA_OUT [1..8]
- GND

COPYRIGHT
 THIS DOCUMENT & ENCLOSED INFORMATION REMAINS THE PROPERTY OF EOS TECHNOLOGIES INC. INTELLECTUAL PROPERTY AND INFORMATION HEREIN MAY NOT BE COPIED NOR DISCLOSED WITHOUT WRITTEN CONSENT OF EOS TECHNOLOGIES, INC. MANAGEMENT.

FILE Q:\electrical\COMMON\pcb_sch\ENCP_676\OUTPUT_BUF.Sch
 PRINTED 1/6/2010 4:32:36 PM
 TEMPLATE: Eost_a23

EOS TECHNOLOGIES, Inc.	
925 W. GRANT RD. TUCSON, ARIZONA 85705 USA	
TITLE	
OUTPUT_BUF	
DOCUMENT NUMBER	SIZE
SCH-4110-1	A2
SCALE N/A	SHEET 3 OF 29

OUTPUT_BUF SCH-4110-1



COPYRIGHT
 THIS DOCUMENT & ENCLOSED
 INFORMATION REMAINS THE PROPERTY
 OF EOS TECHNOLOGIES INC.
 INTELLECTUAL PROPERTY AND
 INFORMATION HEREIN MAY NOT BE
 COPIED NOR DISCLOSED WITHOUT
 WRITTEN CONSENT OF EOS
 TECHNOLOGIES, INC. MANAGEMENT.

FILE Q:\electrical\COMMON\pcb_sch\ENCP_676\PMAC_DIOP_INT.sch
 PRINTED 1/6/2010 4:32:37 PM
 TEMPLATE: Eost_a23

EOS TECHNOLOGIES, Inc.

925 W. GRANT RD.
 TUCSON, ARIZONA 85705 USA

TITLE

PMAC_DIOP_INT

DOCUMENT NUMBER

SCH-4110-1

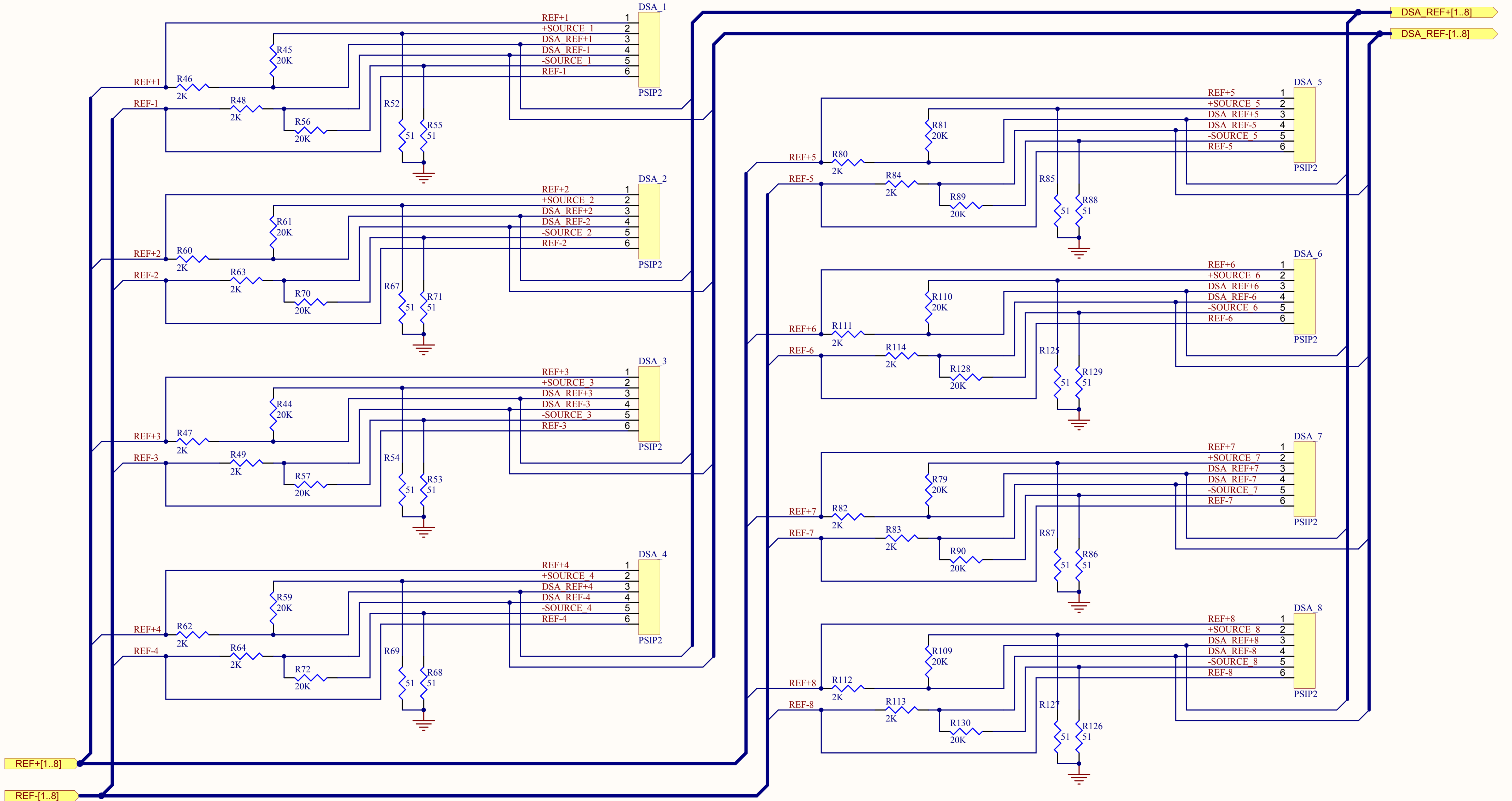
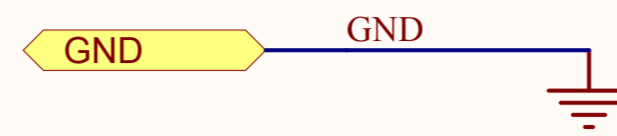
SIZE

A2

SCALE N/A

SHEET 26 OF 29

SCH-4110-1



COPYRIGHT
 THIS DOCUMENT & ENCLOSED
 INFORMATION REMAINS THE PROPERTY
 OF EOS TECHNOLOGIES INC.
 INTELLECTUAL PROPERTY AND
 INFORMATION HEREIN MAY NOT BE
 COPIED NOR DISCLOSED WITHOUT
 WRITTEN CONSENT OF EOS
 TECHNOLOGIES, INC. MANAGEMENT.

FILE Q:\electrical\COMMON\pcb_sch\ENCP_676\SUM_JUNCT.Sch
 PRINTED 1/6/2010 4:32:37 PM
 TEMPLATE: Eost_a23

EOS TECHNOLOGIES, Inc.
 925 W. GRANT RD.
 TUCSON, ARIZONA 85705 USA

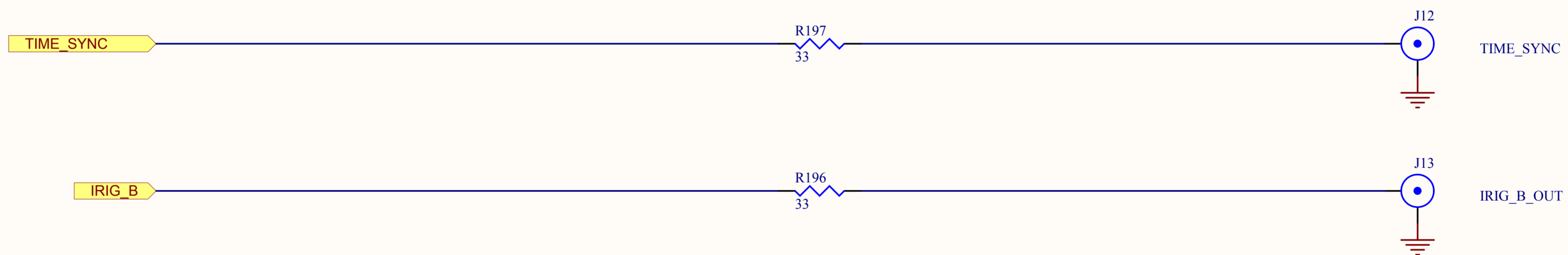
TITLE
SUM_JUNCT

DOCUMENT NUMBER
SCH-4110-1

SCALE N/A SHEET 11 OF 29 SIZE **A2**

SUM_JUNCT

SCH-4110-1



COPYRIGHT
 THIS DOCUMENT & ENCLOSED
 INFORMATION REMAINS THE PROPERTY
 OF EOS TECHNOLOGIES INC.
 INTELLECTUAL PROPERTY AND
 INFORMATION HEREIN MAY NOT BE
 COPIED NOR DISCLOSED WITHOUT
 WRITTEN CONSENT OF EOS
 TECHNOLOGIES, INC. MANAGEMENT.

FILE Q:\electrical\COMMON\pcb_sch\ENCP_676\Time_out.sch
 PRINTED 1/6/2010 4:32:38 PM
 TEMPLATE: Eost_a23

EOS TECHNOLOGIES, Inc.

925 W. GRANT RD.
 TUCSON, ARIZONA 85705 USA

TITLE

TIME_OUT

DOCUMENT NUMBER

SCH-4110-1

SIZE

A2

SCALE N/A

SHEET 21 OF 29

TIME_OUT

SCH-4110-1