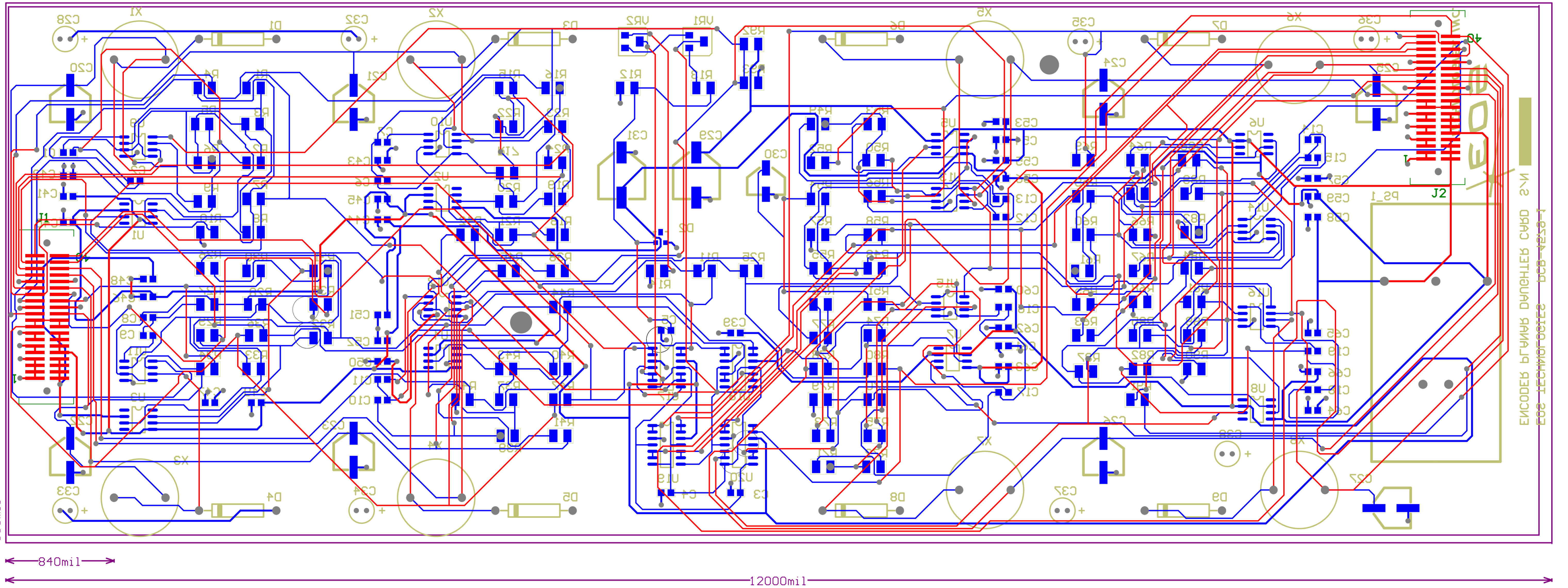
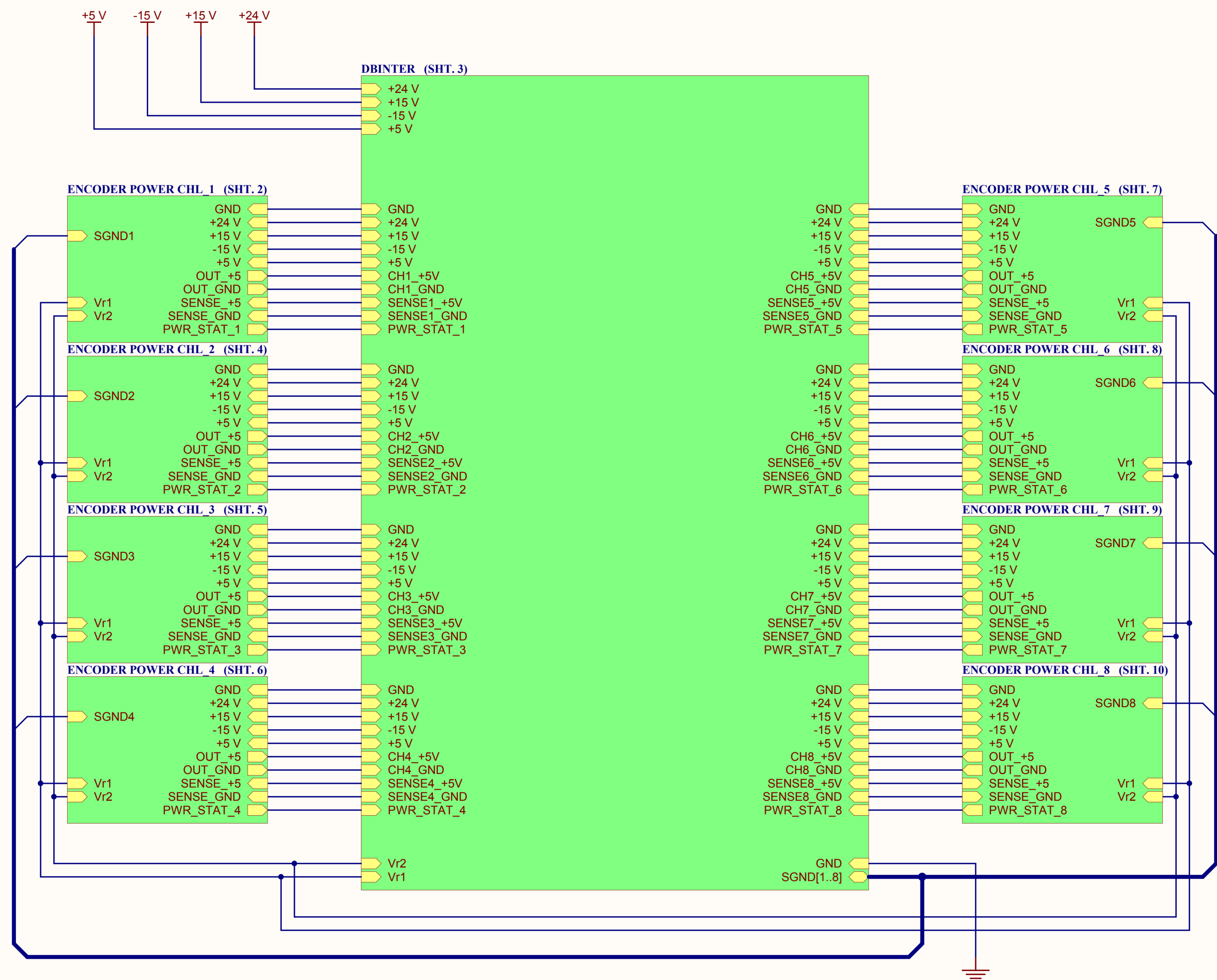


# ГЕНЕРАЦИЯ



DRAWING NO  
USED ON

ISSUE	DATE	DESCRIPTION	CHECKED	APPROVED	ZONE



**COPYRIGHT**  
THIS DOCUMENT & ENCLOSED INFORMATION REMAINS THE PROPERTY OF EOS TECHNOLOGIES INC. INFORMATION HEREIN MAY NOT BE COPIED NOR DISCLOSED WITHOUT WRITTEN CONSENT OF EOS TECHNOLOGIES, INC. MANAGEMENT.

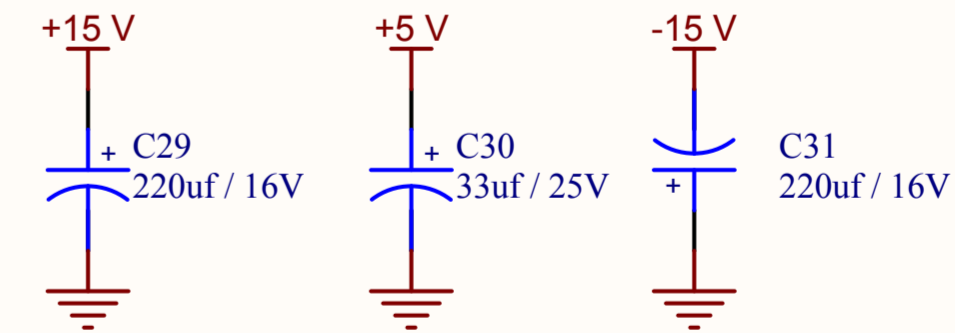
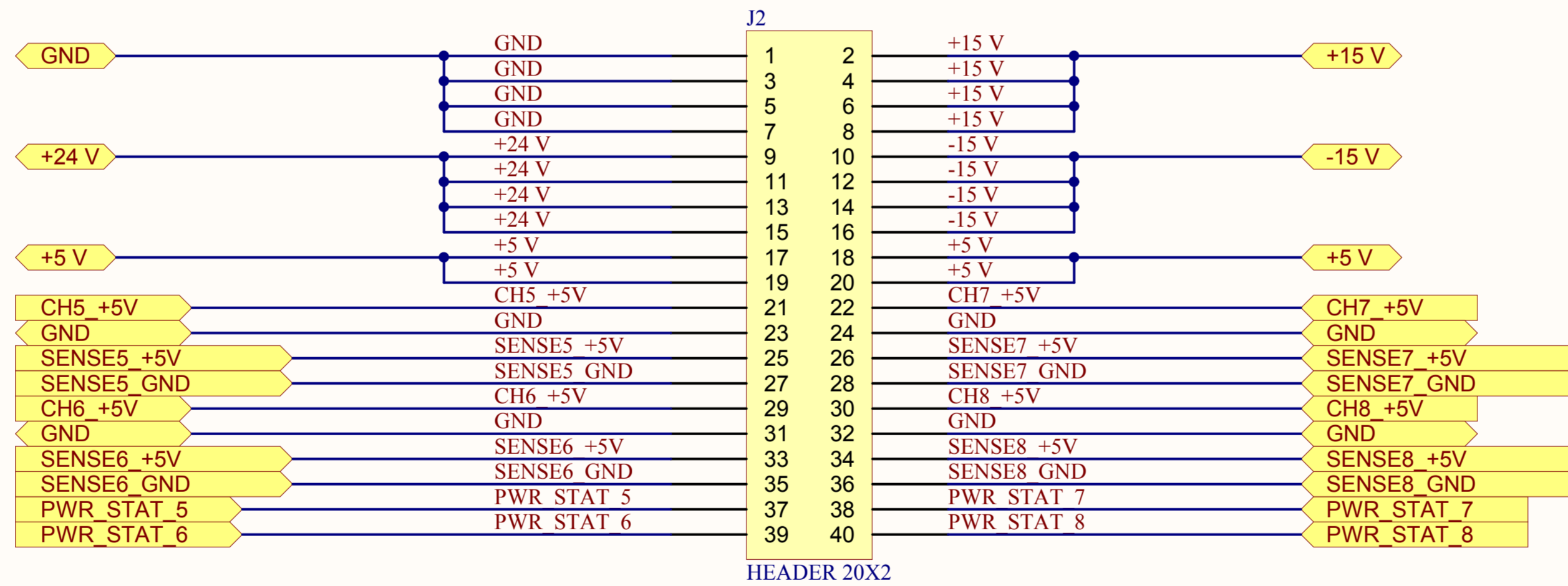
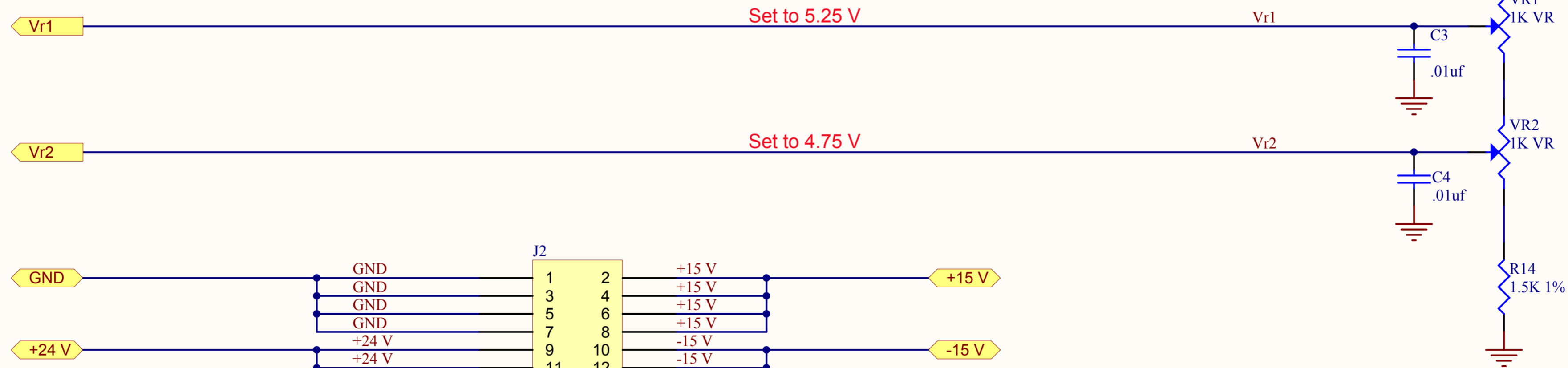
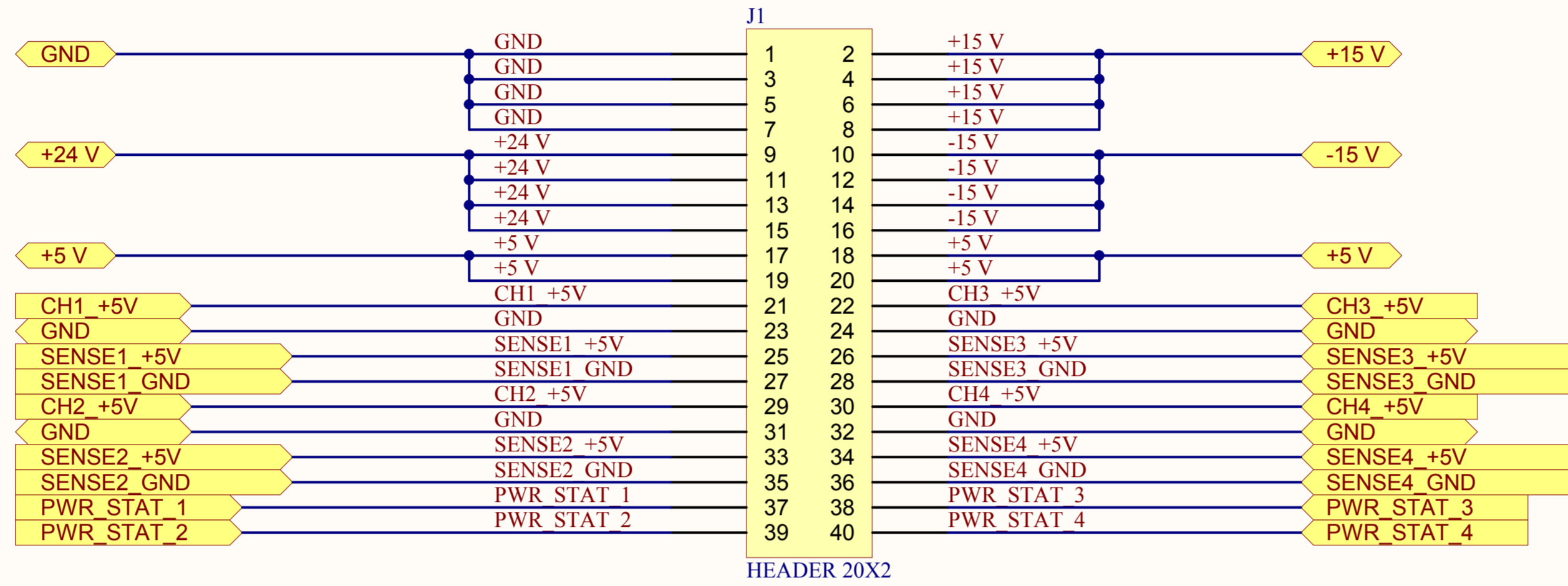
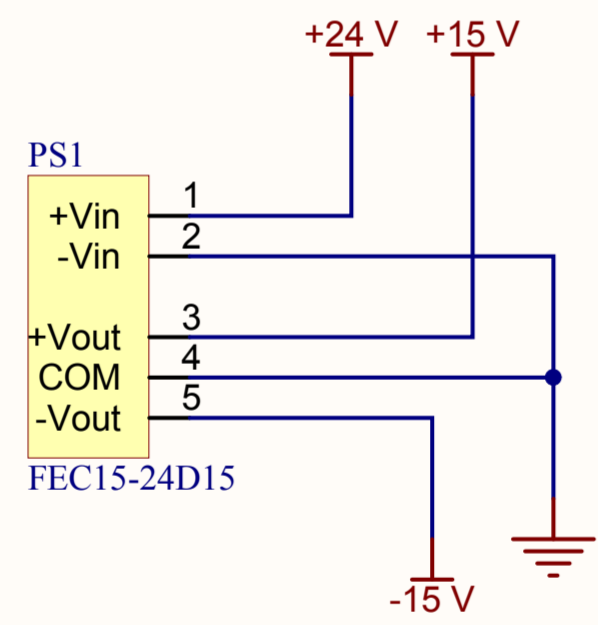
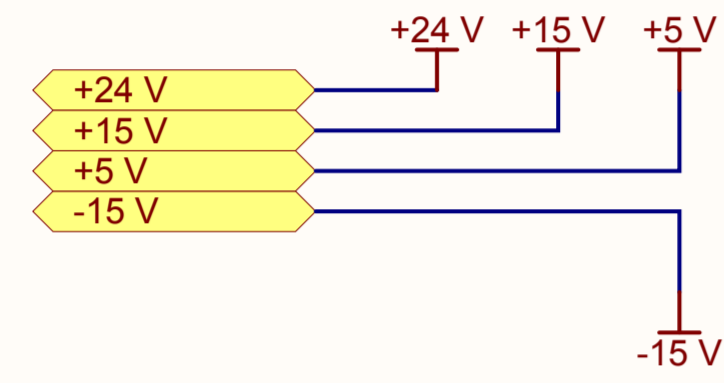
FILE Q:\electrical\COMMON\pcb\_sch\ENCP\_DBI\ENC\_DB\_rev2.sch  
PRINTED 1/6/2010 4:59:04 PM

DRAWN	DATE	<b>EOS TECHNOLOGIES, Inc.</b>		
DESIGN	DATE	925 W. GRANT RD. TUCSON, ARIZONA 85705 USA		
CONFIGURED	DATE	TITLE	CAGE CODE	DOCUMENT NUMBER
APPROVED	DATE		<b>08QA1</b>	
		SCALE N/A	SHEET 1 OF 10	SIZE <b>A2</b>

# CAD-T3181-1

USED ON

ISSUE	DATE	DESCRIPTION	CHECKED	APPROVED	ZONE



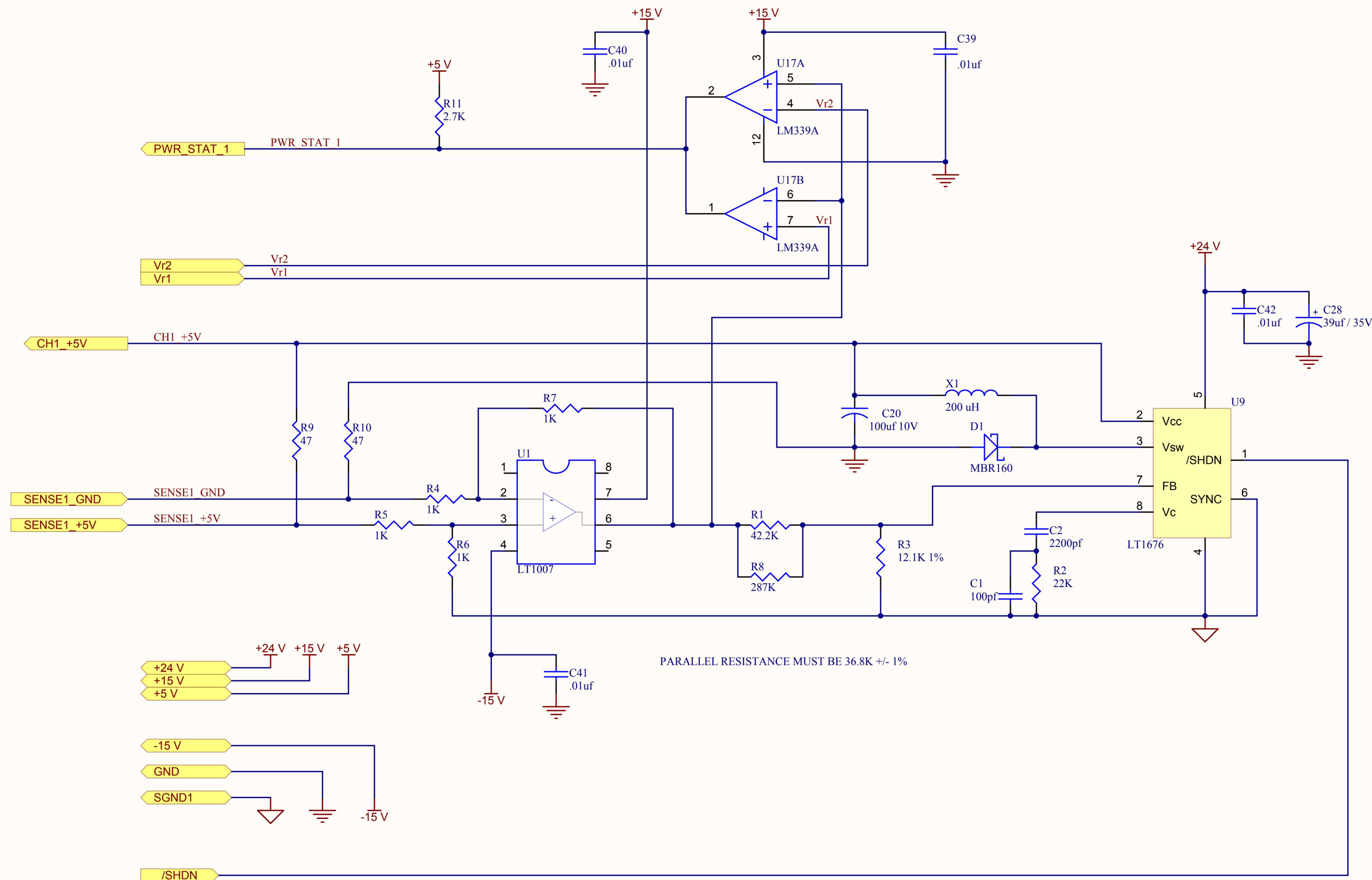
**COPYRIGHT**  
 THIS DOCUMENT & ENCLOSED INFORMATION REMAINS THE PROPERTY OF EOS TECHNOLOGIES INC. INFORMATION HEREIN MAY NOT BE COPIED NOR DISCLOSED WITHOUT WRITTEN CONSENT OF EOS TECHNOLOGIES, INC. MANAGEMENT.

FILE Q:\electrical\COMMON\pcb\_sch\ENCP\_DB\DBINTER.Sch  
 PRINTED 1/6/2010 4:59:05 PM

DRAWN	DATE	<b>EOS TECHNOLOGIES, Inc.</b>		
DESIGN	DATE	925 W. GRANT RD. TUCSON, ARIZONA 85705 USA		
CONFIGURED	DATE	TITLE <b>DB_INTER</b>		
APPROVED	DATE	CAGE CODE <b>08QA1</b>	DOCUMENT NUMBER <b>CAD-T3181-1</b>	SIZE <b>A2</b>
		SCALE N/A	SHEET 3 OF 10	

DB\_INTER CAD-T3181-1

ISSUE	DATE	DESCRIPTION	CHECKED	APPROVED	ZONE



PARALLEL RESISTANCE MUST BE 36.8K +/- 1%

**COPYRIGHT**  
 THIS DOCUMENT & ENCLOSED INFORMATION REMAINS THE PROPERTY OF EOS TECHNOLOGIES INC. INFORMATION HEREIN MAY NOT BE COPIED NOR DISCLOSED WITHOUT WRITTEN CONSENT OF EOS TECHNOLOGIES, INC. MANAGEMENT.

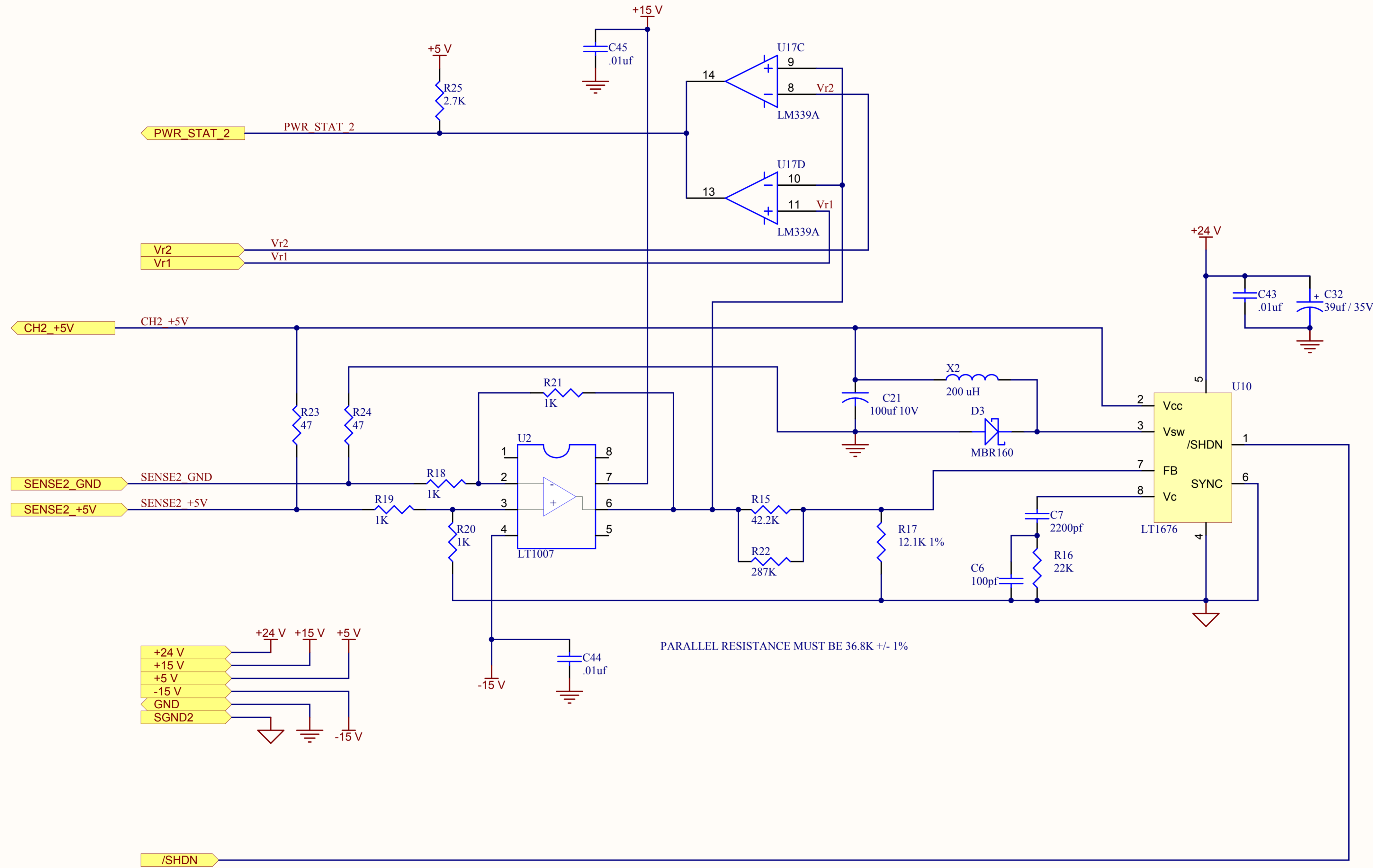
FILE Q:\electrical\COMMON\pcb\_sch\ENCP\_DB\SMARTPWR\_1.Sch  
 PRINTED 1/6/2010 4:59:06 PM

DRAWN	DATE
DESIGN	DATE
CONFIGURED	DATE
APPROVED	DATE

<b>EOS TECHNOLOGIES, Inc.</b> 925 W. GRANT RD. TUCSON, ARIZONA 85705 USA		
TITLE <b>ENCODER POWER CHL_1</b>		
CAGE CODE <b>08QA1</b>	DOCUMENT NUMBER <b>CAD-T3180-1</b>	SIZE <b>A2</b>
SCALE N/A	SHEET 2 OF 10	

ENCODER POWER CHL\_1  
CAD-T3180-1

ISSUE	DATE	DESCRIPTION	CHECKED	APPROVED	ZONE

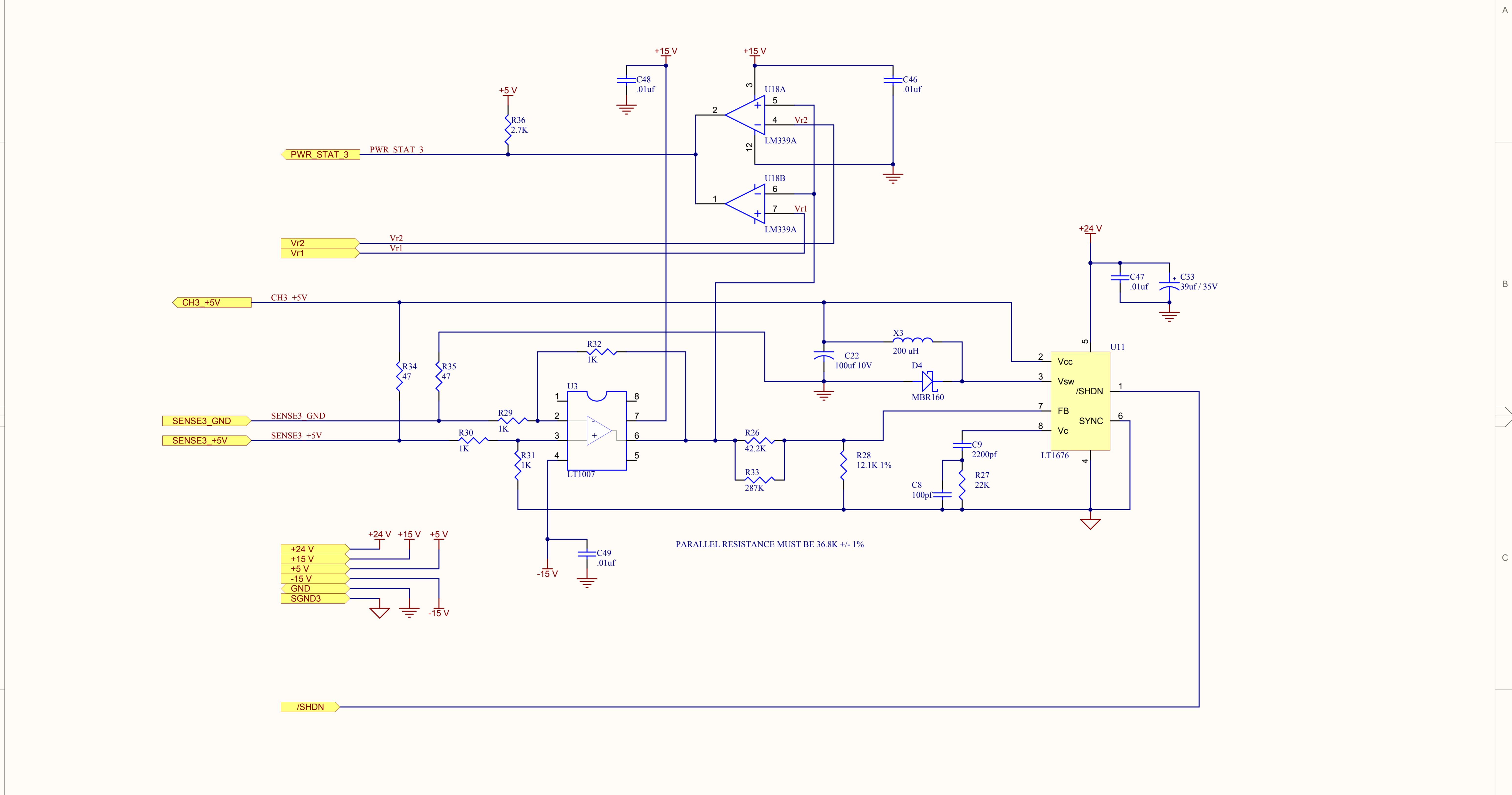


**COPYRIGHT**  
 THIS DOCUMENT & ENCLOSED  
 INFORMATION REMAINS THE PROPERTY  
 OF EOS TECHNOLOGIES INC.  
 INFORMATION HEREIN MAY NOT BE  
 COPIED NOR DISCLOSED WITHOUT  
 WRITTEN CONSENT OF EOS  
 TECHNOLOGIES, INC. MANAGEMENT.

FILE Q:\electrical\COMMON\pcb\_sch\ENCP\_DB\SMARTPWR\_2.Sch  
 PRINTED 1/6/2010 4:59:07 PM

DRAWN	DATE	<b>EOS TECHNOLOGIES, Inc.</b>		
DESIGN	DATE	925 W. GRANT RD. TUCSON, ARIZONA 85705 USA		
CONFIGURED	DATE	TITLE <b>ENCODER POWER CHL_2</b>		
APPROVED	DATE	CAGE CODE <b>08QA1</b>	DOCUMENT NUMBER <b>CAD-T3182-1</b>	SIZE <b>A2</b>
SCALE N/A		SHEET 4 OF 10		

ISSUE	DATE	DESCRIPTION	CHECKED	APPROVED	ZONE



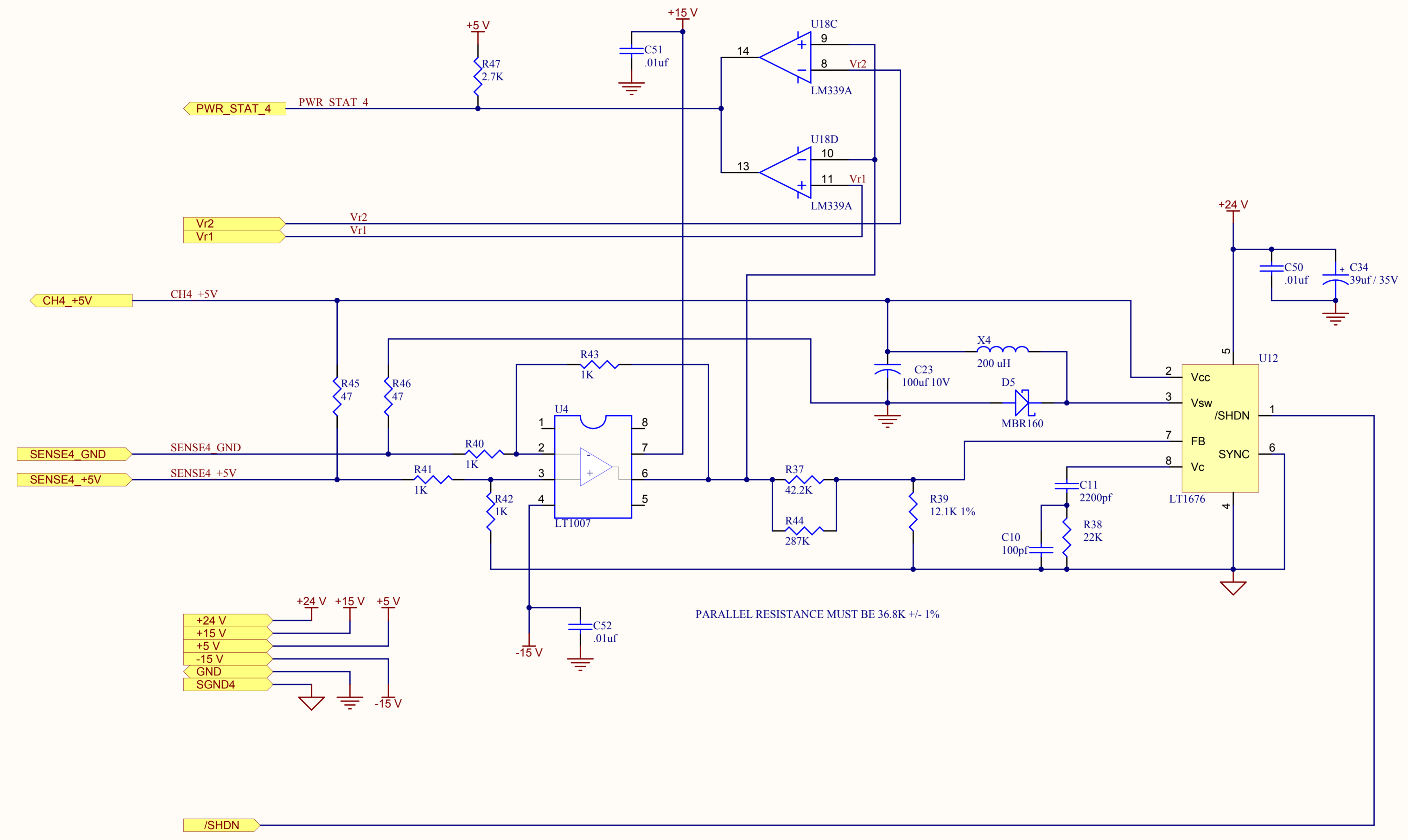
**COPYRIGHT**  
 THIS DOCUMENT & ENCLOSED INFORMATION REMAINS THE PROPERTY OF EOS TECHNOLOGIES INC. INFORMATION HEREIN MAY NOT BE COPIED NOR DISCLOSED WITHOUT WRITTEN CONSENT OF EOS TECHNOLOGIES, INC. MANAGEMENT.

FILE Q:\electrical\COMMON\pcb\_sch\ENCP\_DB\SMARTPWR\_3.Sch  
 PRINTED 1/6/2010 4:59:08 PM

DRAWN	DATE	<b>EOS TECHNOLOGIES, Inc.</b> 925 W. GRANT RD. TUCSON, ARIZONA 85705 USA		
DESIGN	DATE	TITLE <b>ENCODER POWER CHL_3</b>		
CONFIGURED	DATE	CAGE CODE <b>08QA1</b>	DOCUMENT NUMBER <b>CAD-T3183-1</b>	SIZE <b>A2</b>
APPROVED	DATE	SCALE N/A	SHEET 5 OF 10	

ENCODER POWER CHL\_3  
CAD-T3183-1

ISSUE	DATE	DESCRIPTION	CHECKED	APPROVED	ZONE



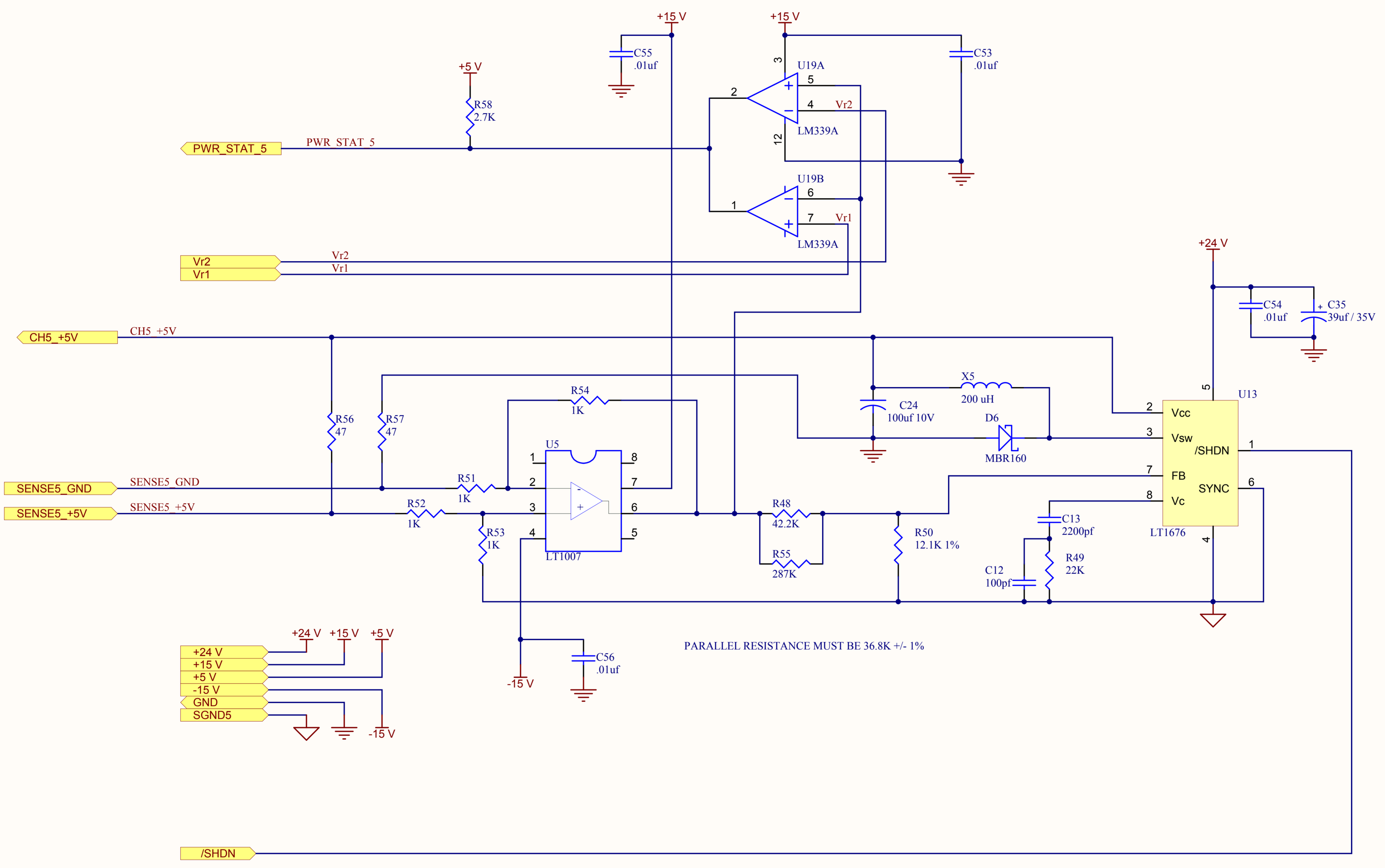
**COPYRIGHT**  
THIS DOCUMENT & ENCLOSED INFORMATION REMAINS THE PROPERTY OF EOS TECHNOLOGIES INC. INFORMATION HEREIN MAY NOT BE COPIED NOR DISCLOSED WITHOUT WRITTEN CONSENT OF EOS TECHNOLOGIES, INC. MANAGEMENT.

FILE Q:\electrical\COMMON\pcb\_sch\ENCP\_DB\SMARTPWR\_4.Sch  
PRINTED 1/6/2010 4:59:09 PM

DRAWN	DATE	<b>EOS TECHNOLOGIES, Inc.</b> 925 W. GRANT RD. TUCSON, ARIZONA 85705 USA		
DESIGN	DATE	TITLE <b>ENCODER POWER CHL_4</b>		
CONFIGURED	DATE	CAGE CODE <b>08QA1</b>	DOCUMENT NUMBER <b>CAD-T3184-1</b>	SIZE <b>A2</b>
APPROVED	DATE	SCALE N/A	SHEET 6 OF 10	

ENCODER POWER CHL\_4  
CAD-T3184-1

ISSUE	DATE	DESCRIPTION	CHECKED	APPROVED	ZONE



**COPYRIGHT**  
 THIS DOCUMENT & ENCLOSED INFORMATION REMAINS THE PROPERTY OF EOS TECHNOLOGIES INC. INFORMATION HEREIN MAY NOT BE COPIED NOR DISCLOSED WITHOUT WRITTEN CONSENT OF EOS TECHNOLOGIES, INC. MANAGEMENT.

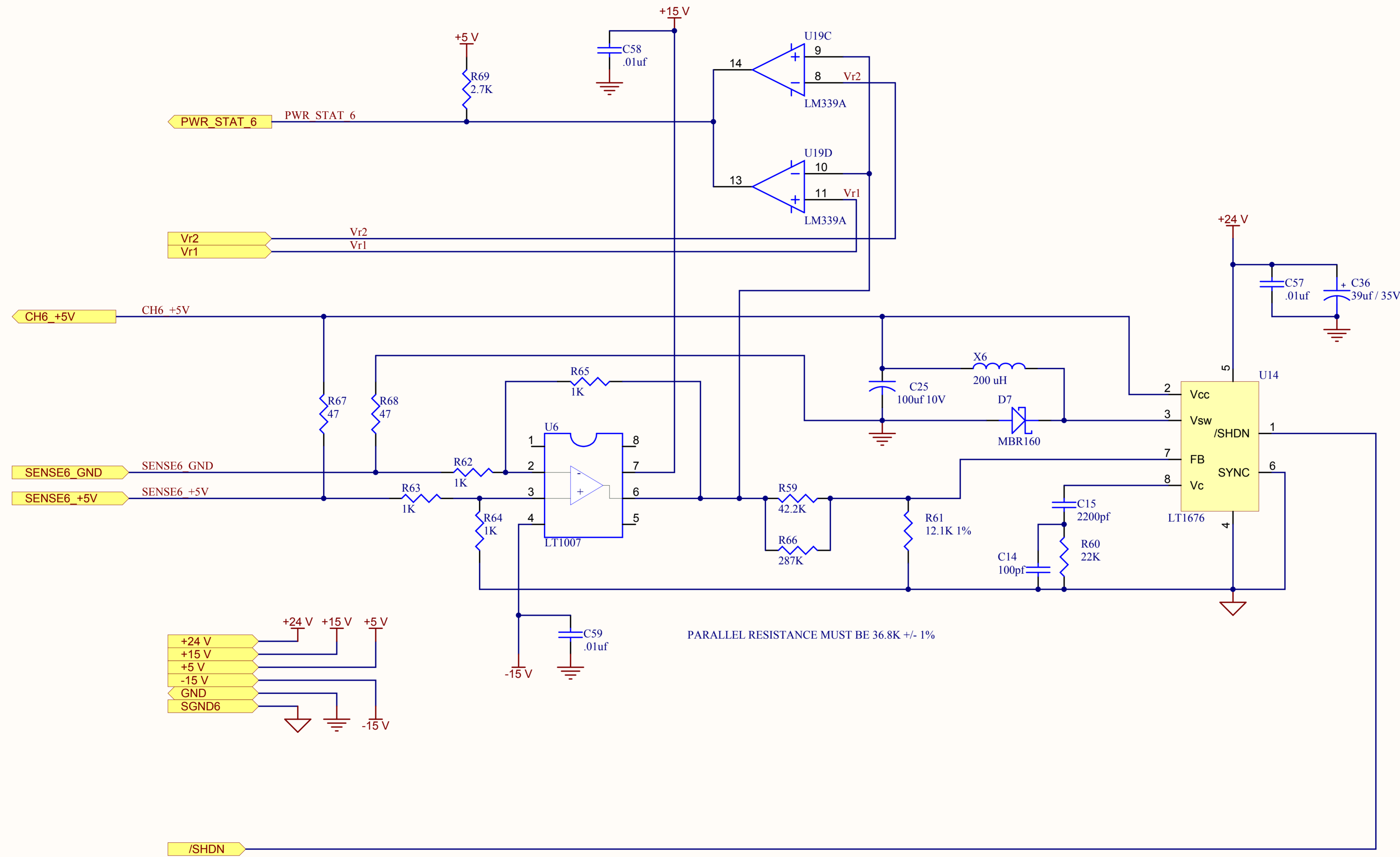
FILE Q:\electrical\COMMON\pcb\_sch\ENCP\_DB\SMARTPWR\_5.Sch  
 PRINTED 1/6/2010 4:59:10 PM

DRAWN	DATE	<b>EOS TECHNOLOGIES, Inc.</b> 925 W. GRANT RD. TUCSON, ARIZONA 85705 USA		
DESIGN	DATE	TITLE <b>ENCODER POWER CHL_5</b>		
CONFIGURED	DATE	CAGE CODE <b>08QA1</b>	DOCUMENT NUMBER <b>CAD-T3185-1</b>	SIZE <b>A2</b>
APPROVED	DATE	SCALE N/A	SHEET 7 OF 10	

ENCODER POWER CHL\_5  
CAD-T3185-1



ISSUE	DATE	DESCRIPTION	CHECKED	APPROVED	ZONE



### COPYRIGHT

THIS DOCUMENT & ENCLOSED INFORMATION REMAINS THE PROPERTY OF EOS TECHNOLOGIES INC. INFORMATION HEREIN MAY NOT BE COPIED NOR DISCLOSED WITHOUT WRITTEN CONSENT OF EOS TECHNOLOGIES, INC. MANAGEMENT.

FILE Q:\electrical\COMMON\pcb\_sch\ENCP\_DB\SMARTPWR\_6.Sch  
 PRINTED 1/6/2010 4:59:11 PM

DRAWN	DATE
DESIGN	DATE
CONFIGURED	DATE
APPROVED	DATE

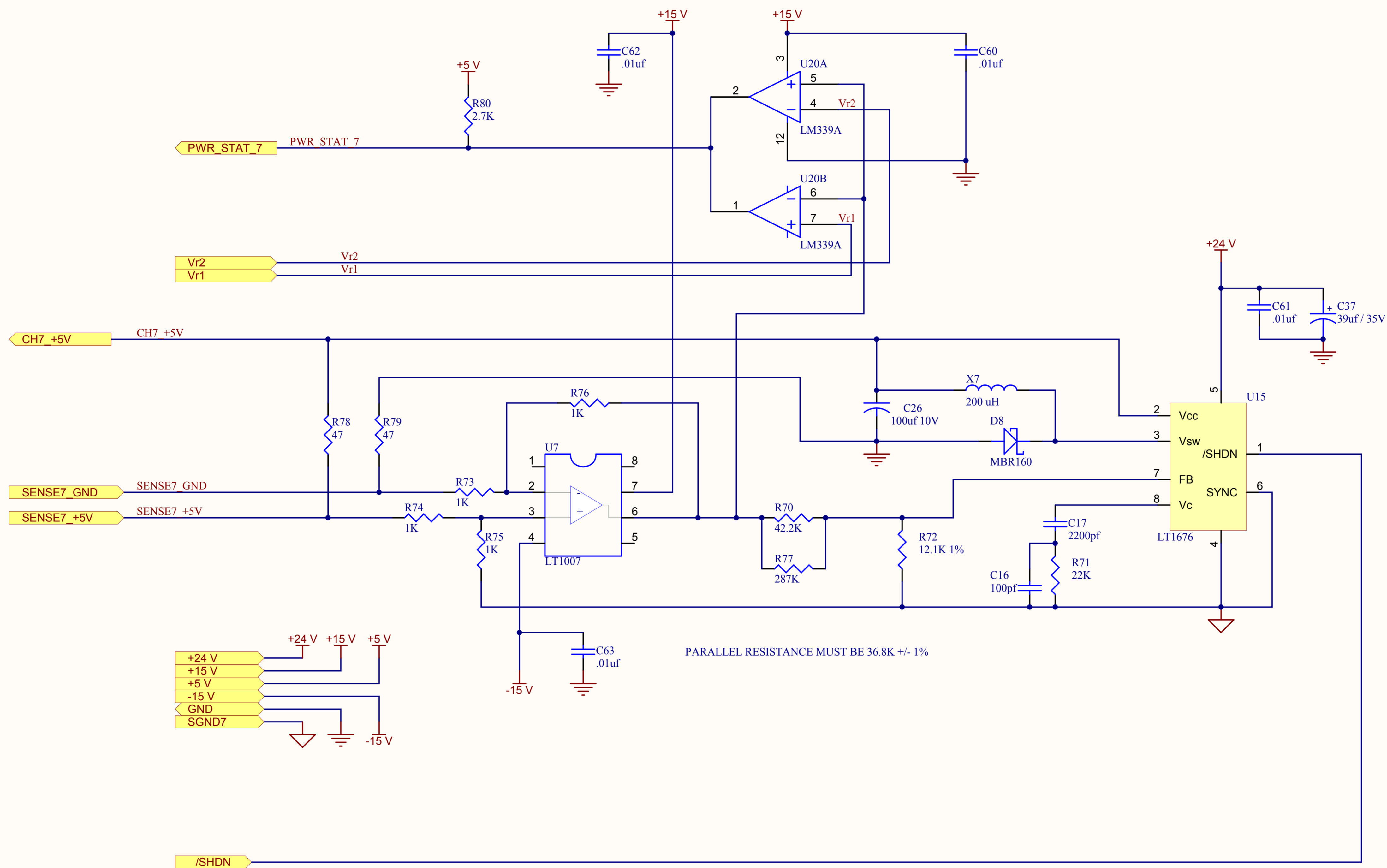
**EOS TECHNOLOGIES, Inc.**

925 W. GRANT RD.  
 TUCSON, ARIZONA 85705 USA

### ENCODER POWER CHL\_6

CAGE CODE <b>08QA1</b>	DOCUMENT NUMBER <b>CAD-T3186-1</b>	SIZE <b>A2</b>
SCALE N/A	SHEET 8 OF 10	

ISSUE	DATE	DESCRIPTION	CHECKED	APPROVED	ZONE

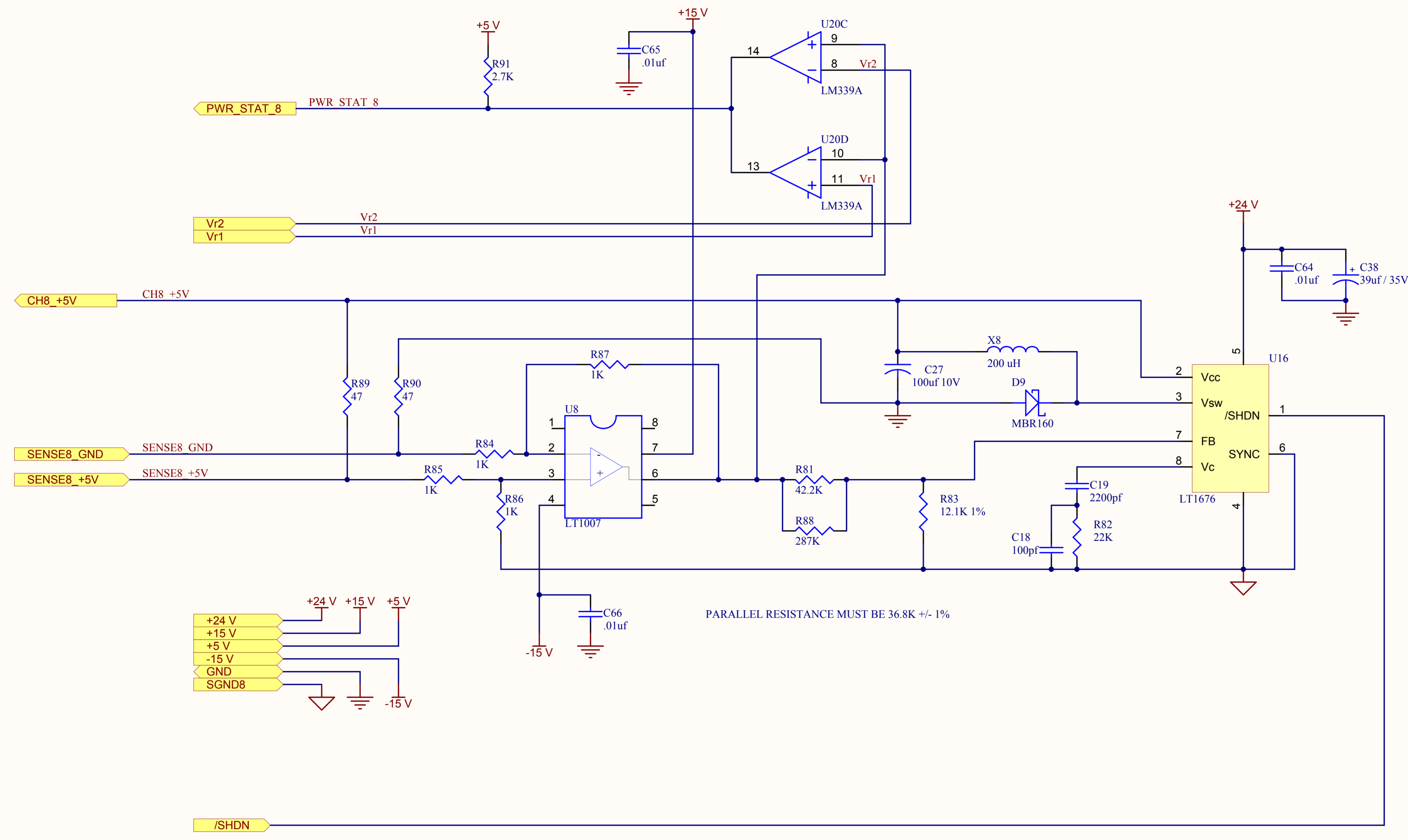


**COPYRIGHT**  
 THIS DOCUMENT & ENCLOSED  
 INFORMATION REMAINS THE PROPERTY  
 OF EOS TECHNOLOGIES INC.  
 INFORMATION HEREIN MAY NOT BE  
 COPIED NOR DISCLOSED WITHOUT  
 WRITTEN CONSENT OF EOS  
 TECHNOLOGIES, INC. MANAGEMENT.

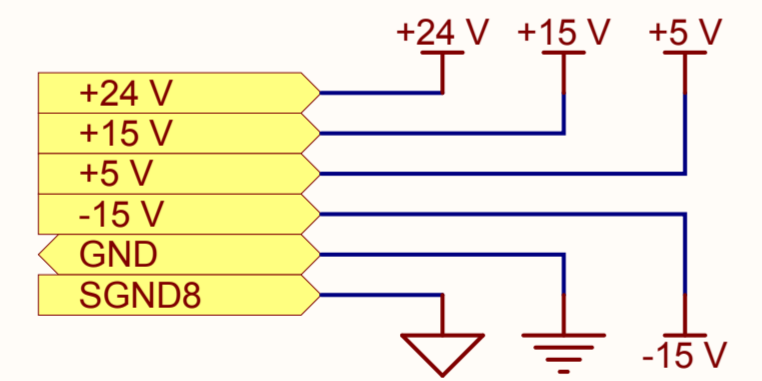
FILE Q:\electrical\COMMON\pcb\_sch\ENCP\_DB\SMARTPWR\_7.Sch  
 PRINTED 1/6/2010 4:59:13 PM

DRAWN	DATE	<b>EOS TECHNOLOGIES, Inc.</b>		
DESIGN	DATE	925 W. GRANT RD. TUCSON, ARIZONA 85705 USA		
CONFIGURED	DATE	TITLE <b>ENCODER POWER CHL_7</b>		
APPROVED	DATE	CAGE CODE <b>08QA1</b>	DOCUMENT NUMBER <b>CAD-T3187-1</b>	SIZE <b>A2</b>
SCALE N/A		SHEET 9 OF 10		

ISSUE	DATE	DESCRIPTION	CHECKED	APPROVED	ZONE



PARALLEL RESISTANCE MUST BE 36.8K +/- 1%



**COPYRIGHT**  
THIS DOCUMENT & ENCLOSED INFORMATION REMAINS THE PROPERTY OF EOS TECHNOLOGIES INC. INFORMATION HEREIN MAY NOT BE COPIED NOR DISCLOSED WITHOUT WRITTEN CONSENT OF EOS TECHNOLOGIES, INC. MANAGEMENT.

FILE Q:\electrical\COMMON\pcb\_sch\ENCP\_DB\SMARTPWR\_8.Sch  
PRINTED 1/6/2010 4:59:14 PM

DRAWN	DATE	<b>EOS TECHNOLOGIES, Inc.</b> 925 W. GRANT RD. TUCSON, ARIZONA 85705 USA		
DESIGN	DATE	TITLE <b>ENCODER POWER CHL_8</b>		
CONFIGURED	DATE	CAGE CODE <b>08QA1</b>	DOCUMENT NUMBER <b>CAD-T3188-1</b>	SIZE <b>A2</b>
APPROVED	DATE	SCALE N/A	SHEET 10 OF 10	

ENCODER POWER CHL\_8  
CAD-T3188-1