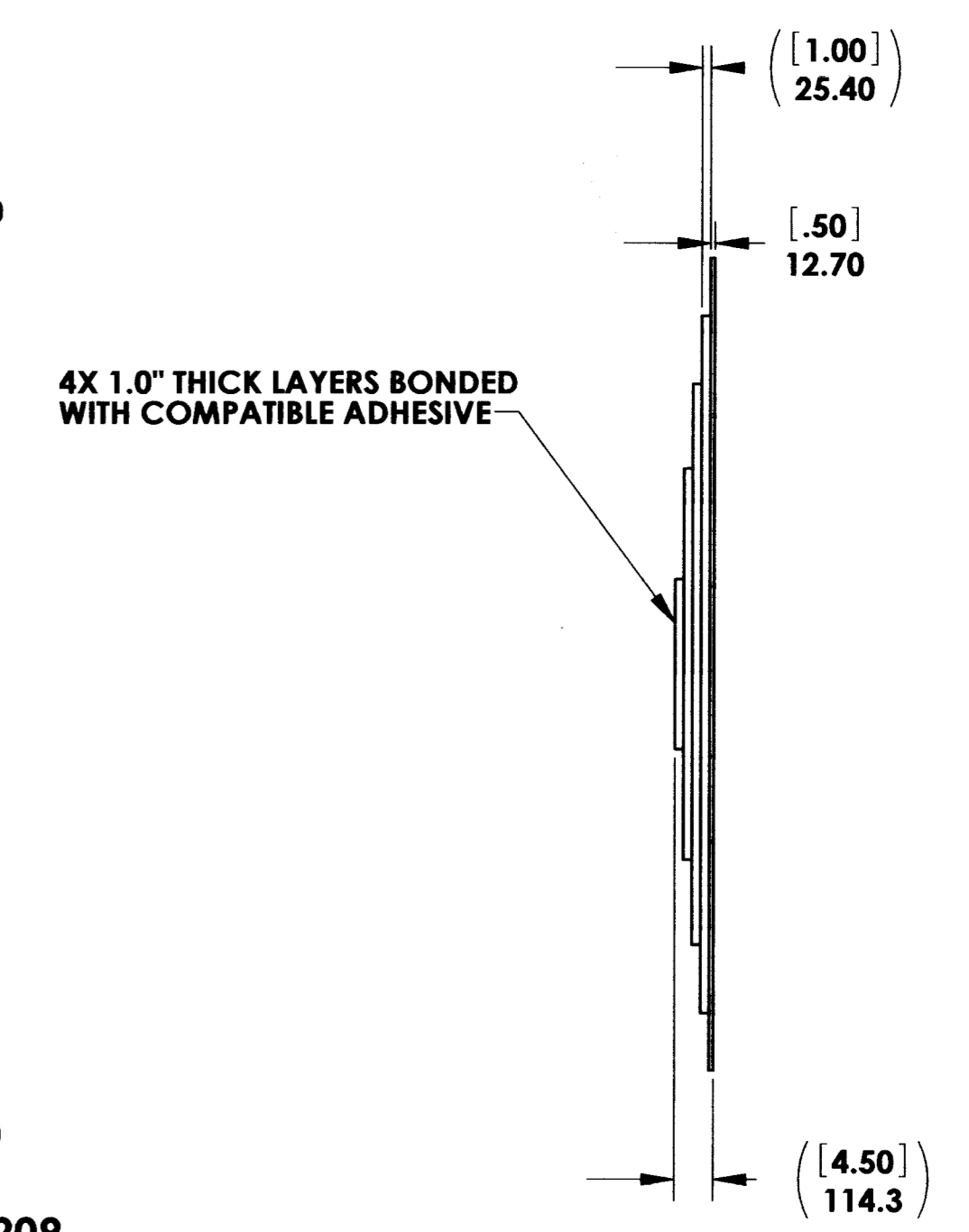
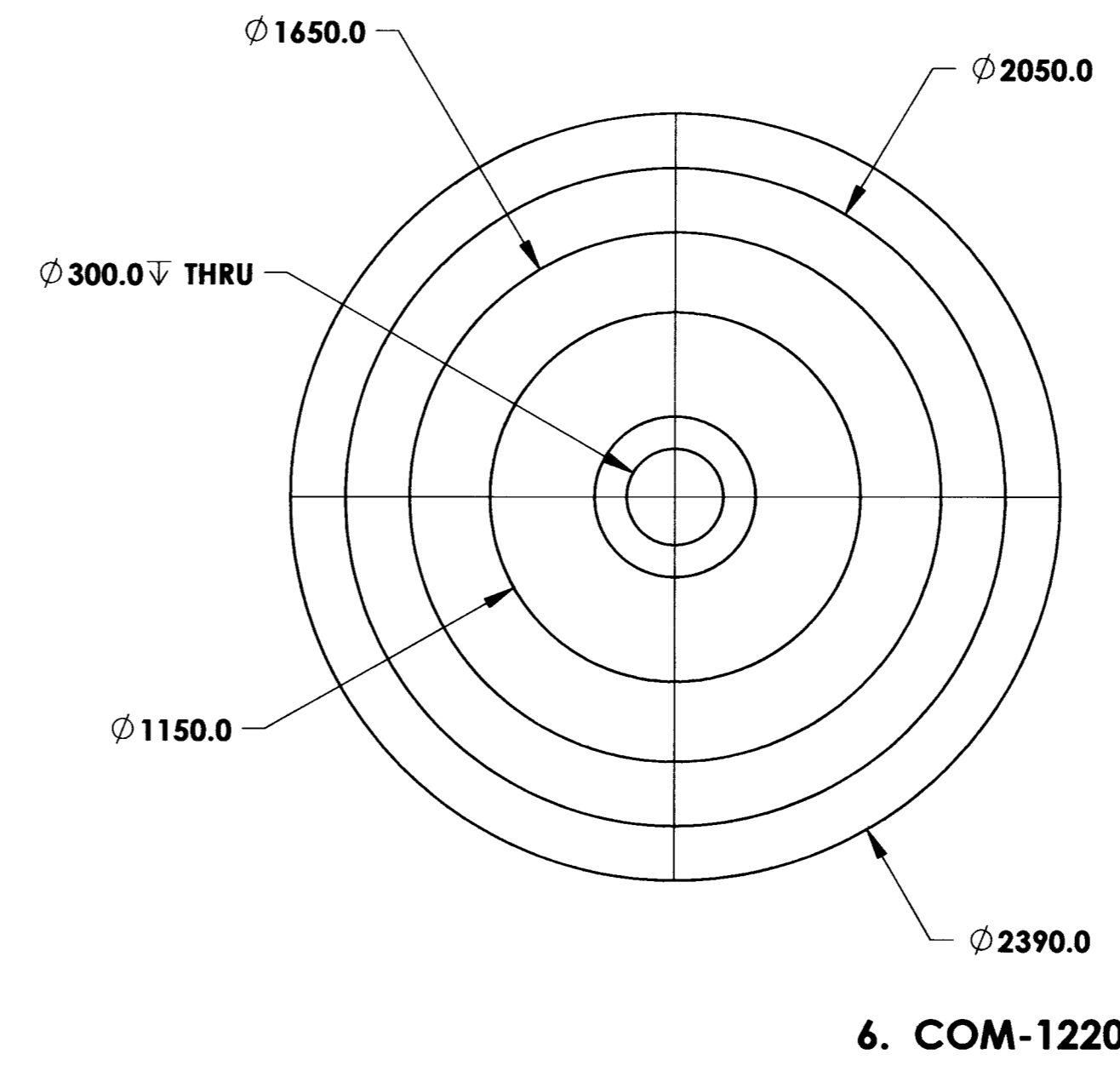
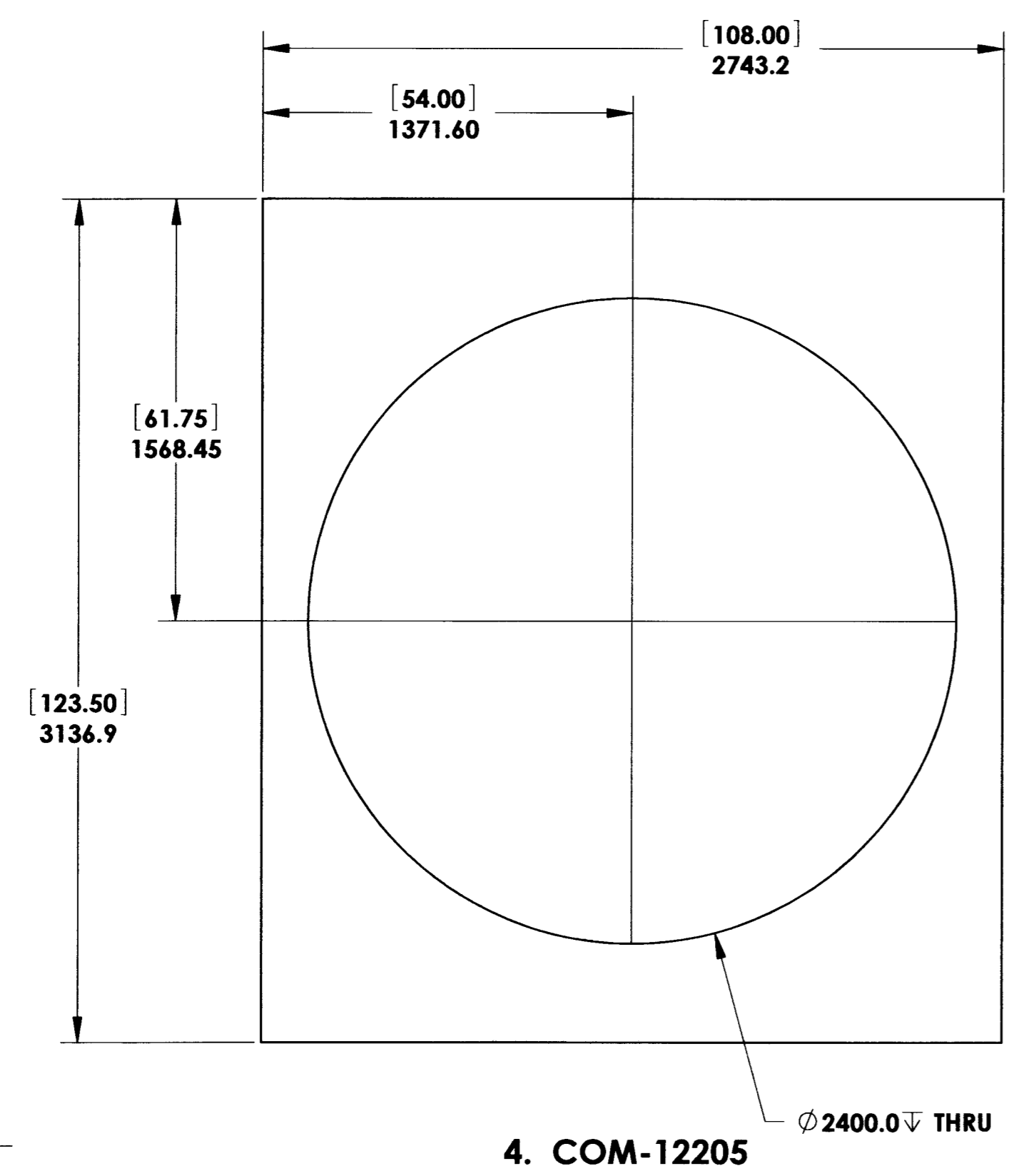
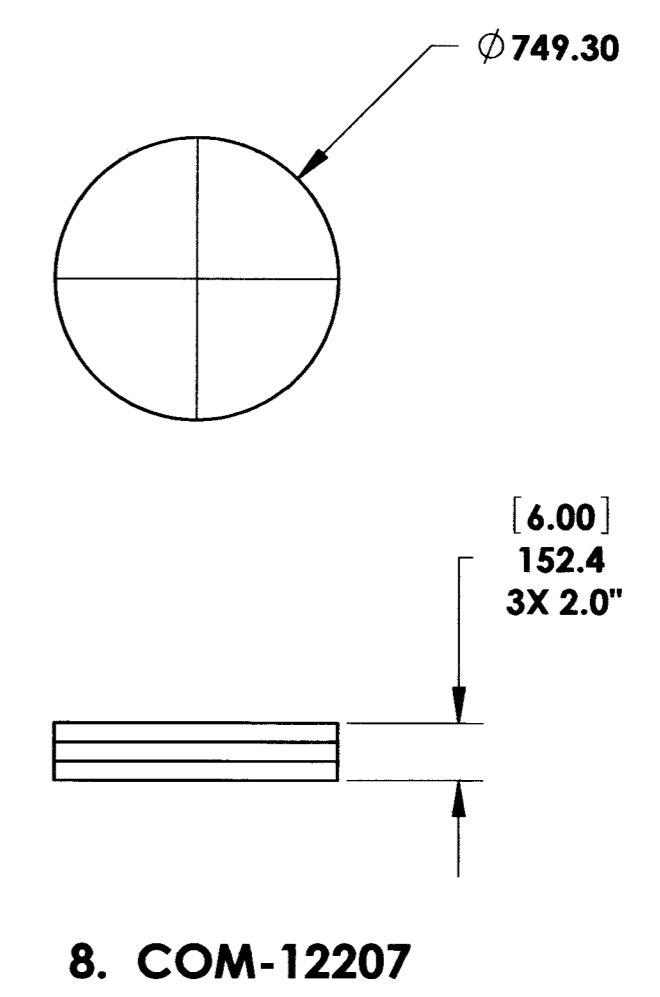
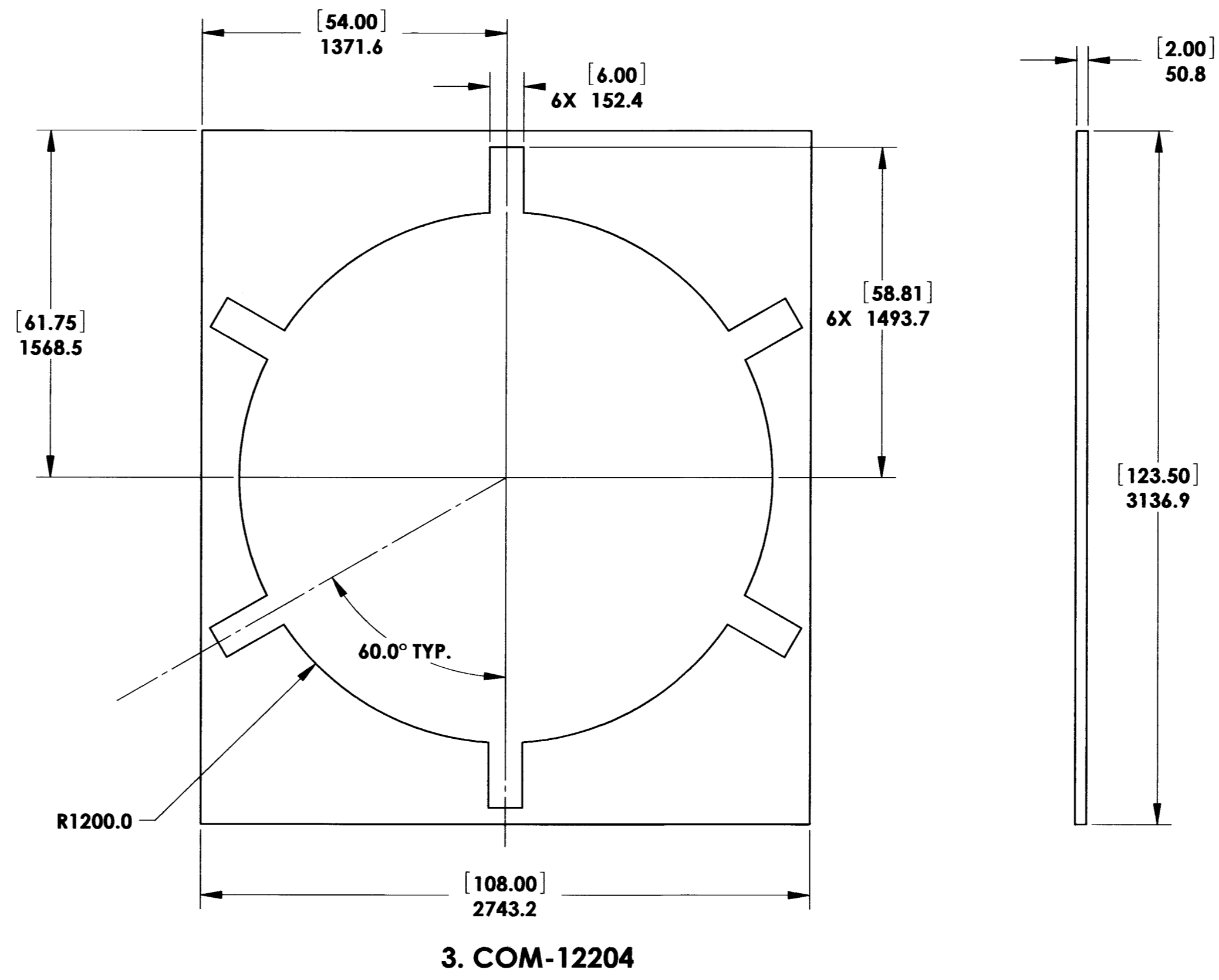
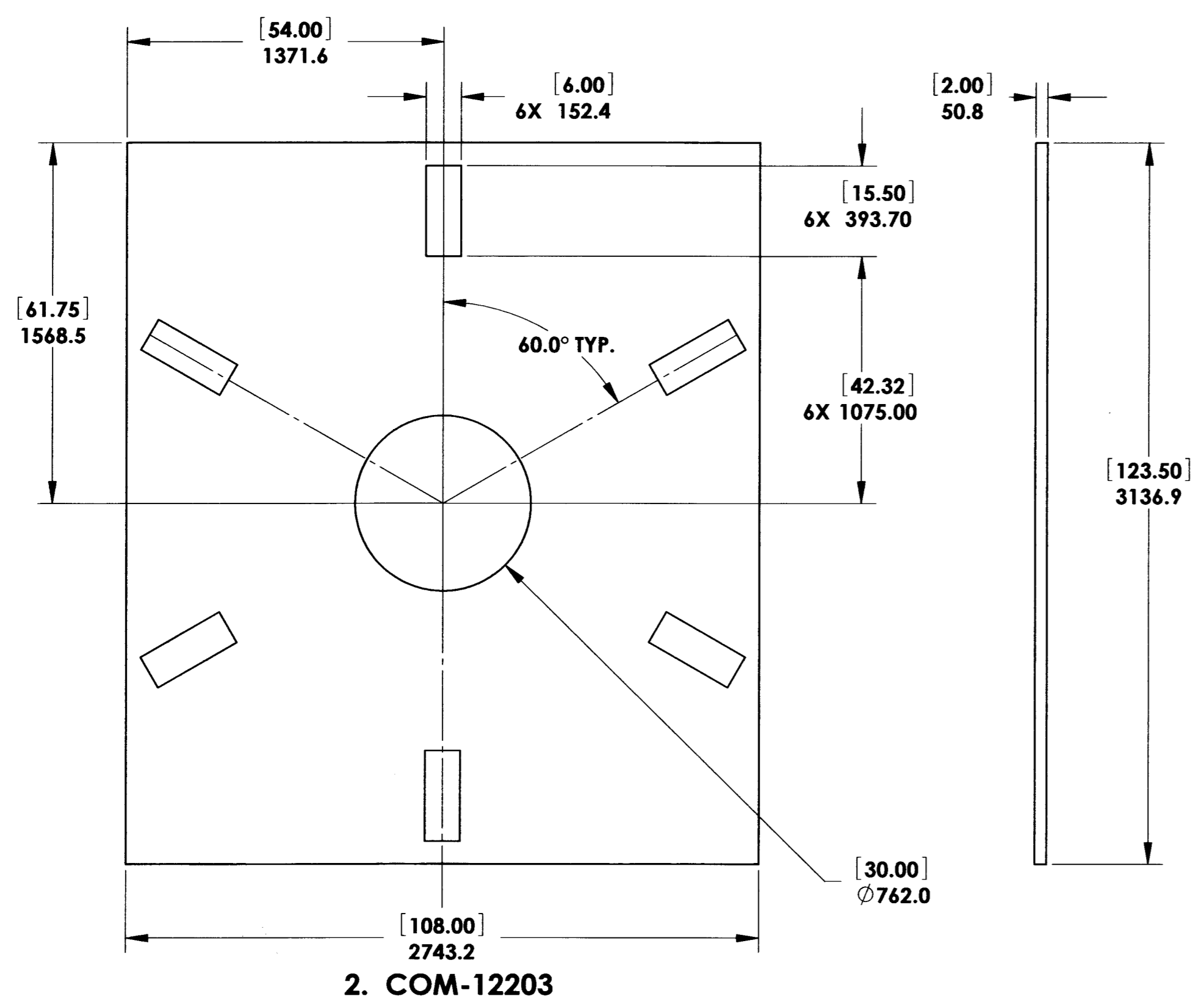


Controlled Document
 Confirm revision before using



DO NOT SCALE DRAWING
 DIMENSIONS IN MILLIMETERS

COPYRIGHT
 THIS DOCUMENT & ENCLOSED PROPRIETARY INFORMATION REMAINS THE PROPERTY OF EOS TECHNOLOGIES, INC. THE INTELLECTUAL PROPERTY AND INFORMATION HEREIN MAY NOT BE COPIED NOR DISCLOSED WITHOUT WRITTEN CONSENT OF EOS TECHNOLOGIES, INC. MANAGEMENT

EOS TECHNOLOGIES, INC. 3160 E. TRANSCON WAY, SUITE 180, TUCSON, AZ 85706 PH: (520) 624-6399	
TITLE M1 CRATE WITH PACKING, 2400MM MIRROR	
DRAWING NO. ASY-12202	STATUS Released
SCALE 1:33.3	REVISION REL-01
SHEET 2 OF 2	SHEET SIZE A1