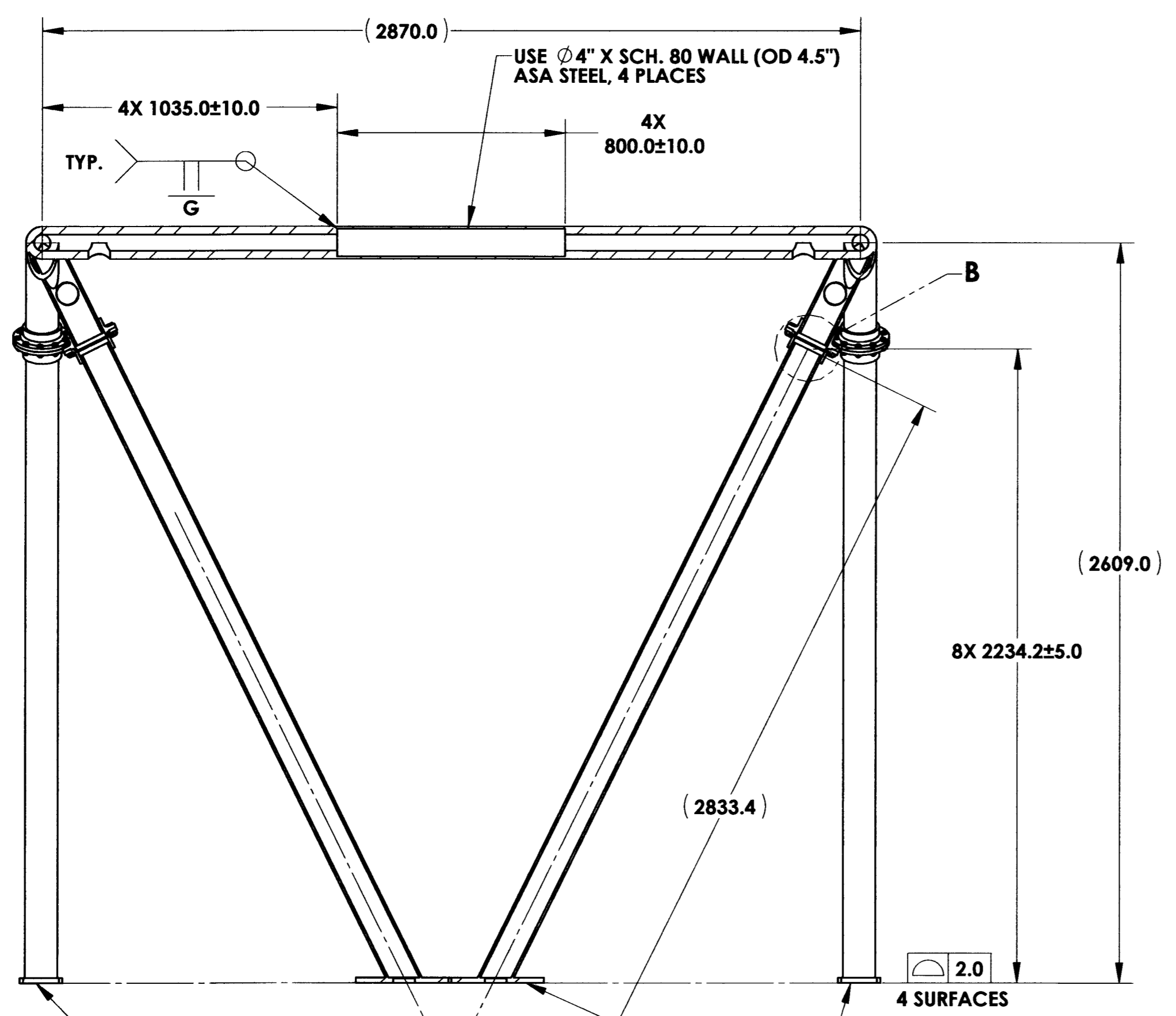
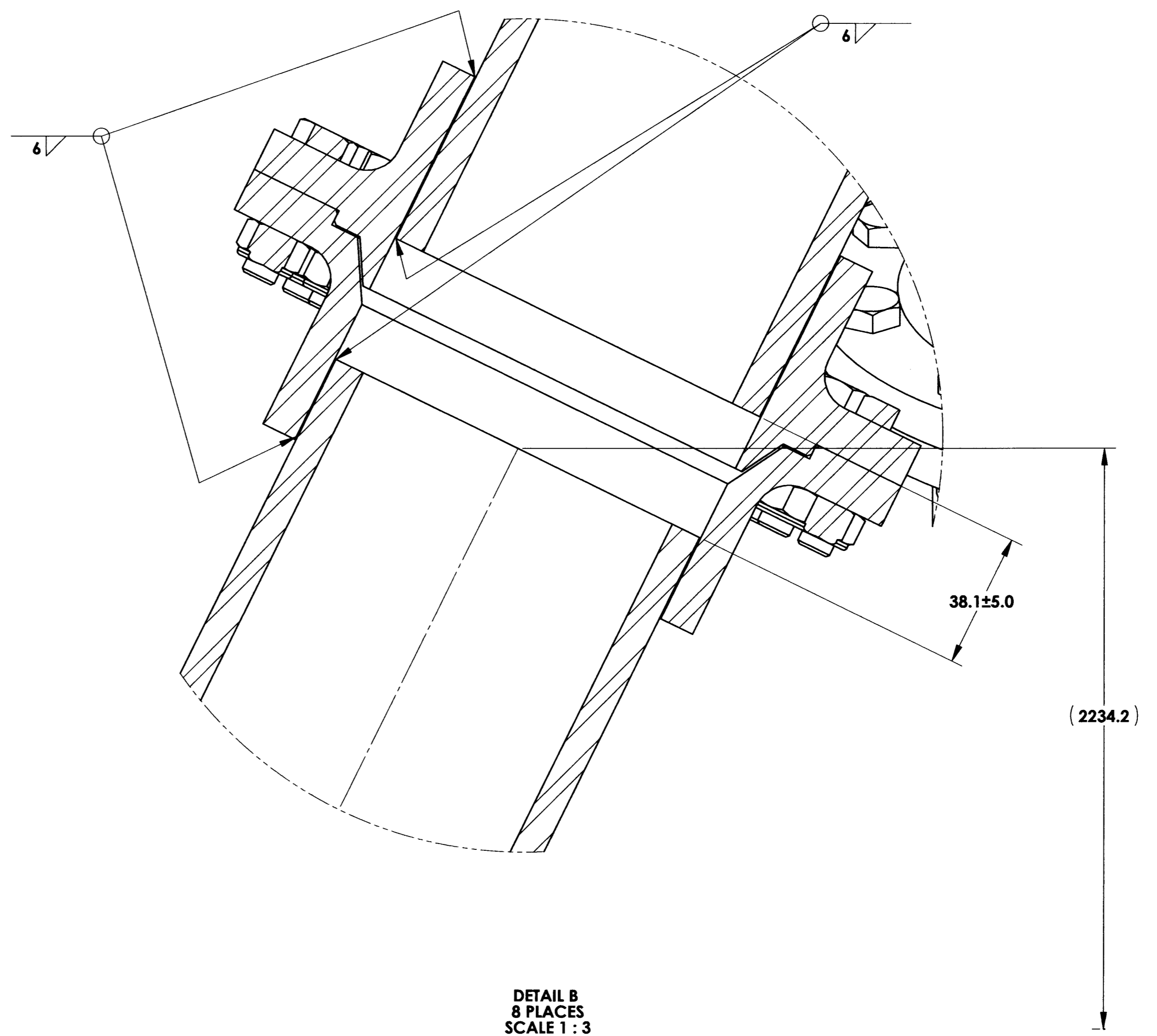
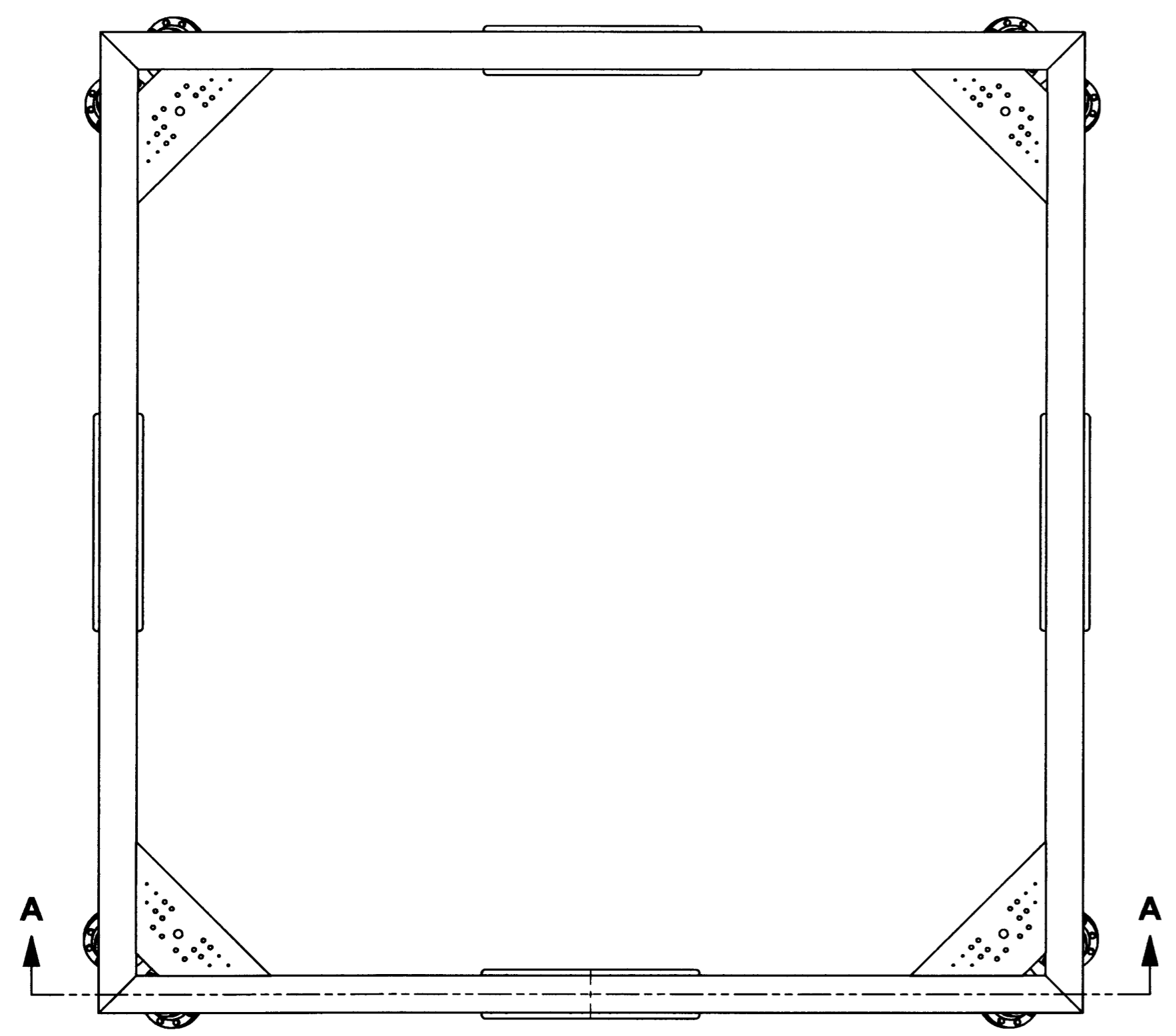


DRAWING NO. **ASY-12411** REVISION **REL-01**  
 PROJECT CODE: **LICK-51**

Controlled Document  
 Confirm revision before using



DETAIL B  
 8 PLACES  
 SCALE 1 : 3

DO NOT SCALE DRAWING  
 DIMENSIONS IN MILLIMETERS

SECTION A-A  
 SCALE 1 : 15

MASK SURFACES  
 PRIOR TO PAINTING

COPYRIGHT  
 THIS DOCUMENT & ENCLOSED PROPRIETARY INFORMATION  
 REMAINS THE PROPERTY OF EOS TECHNOLOGIES, INC. THE  
 INTELLECTUAL PROPERTY AND INFORMATION HEREIN MAY NOT  
 BE COPIED NOR DISCLOSED WITHOUT WRITTEN CONSENT OF  
 EOS TECHNOLOGIES, INC. MANAGEMENT

EOS TECHNOLOGIES, INC. 3160 E. TRANSCON WAY, SUITE 180, TUCSON, AZ 85706 PH: (520) 624-6399			
<b>UPPER TRUSS MODIFICATION ASSEMBLY</b>			
DRAWING NO.	ASY-12411	STATUS	Released
REVISION	REL-01	SHEET SIZE	A1
SCALE	1:20	SHEET	2 OF 2