

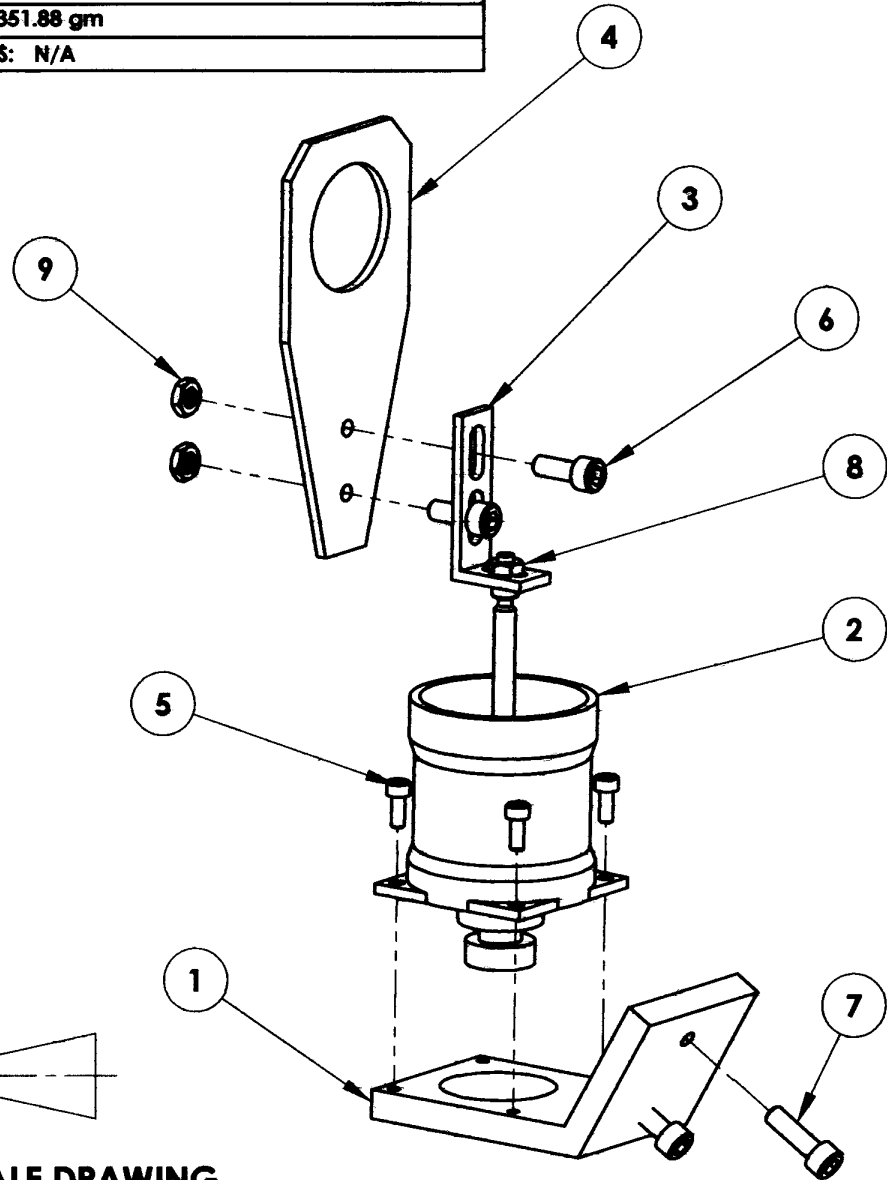
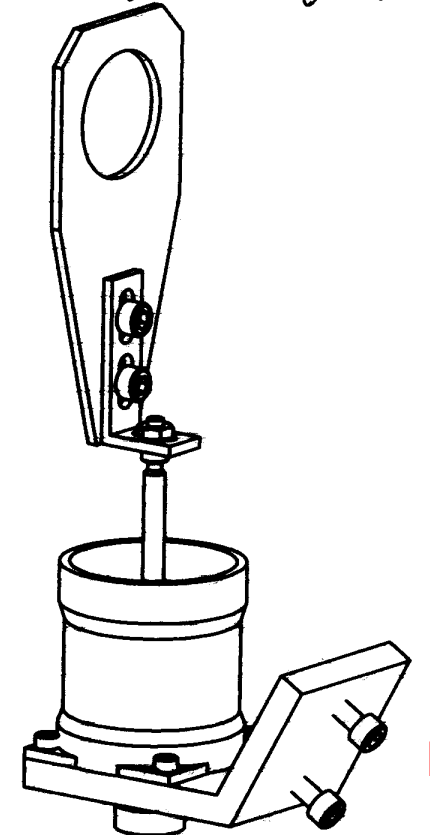
DRAWING NO. ASY-13711	REVISION REL-01
PROJECT CODE: LICK-51	
MATERIAL: PER COMPONENT	
CONDITION: PER COMPONENT	
SURFACE FINISH: PER COMPONENT	
FINISH COLOR: PER COMPONENT	
APPROXIMATE MASS: 351.88 gm	
REFERENCE DOCUMENTS: N/A	

COPYRIGHT

THIS DOCUMENT & ENCLOSED PROPRIETARY INFORMATION REMAINS THE PROPERTY OF EOS TECHNOLOGIES, INC. THE INTELLECTUAL PROPERTY AND INFORMATION HEREIN MAY NOT BE COPIED NOR DISCLOSED WITHOUT WRITTEN CONSENT OF EOS TECHNOLOGIES, INC. MANAGEMENT

REV.	DATE	DESCRIPTION	CHK'D	APPV'D	ZONE
1	4-3-09	INITIAL RELEASE	<i>JL</i>	<i>W</i>	

Controlled Document
Confirm revision before using



ITEM NO.	QTY.	PART NUMBER	DESCRIPTION	Material	Weight
9	2	B18.2.4.5M - Hex jam nut, M6 x 1 --D-N			
8	1	MSHXNUT 0.190-24-S-N			
7	2	B18.3.1M - 6 x 1.0 x 20 Hex SHCS -- 20NHX			
6	2	B18.3.1M - 6 x 1.0 x 16 Hex SHCS -- 16NHX			
5	4	B18.3.1M - 4 x 0.7 x 10 Hex SHCS -- 10NHX			
4	1	COM-13715	AIRPOT SHAFT EXTENSION (SHORT)	6061-T6 ALUMINUM	43.43
3	1	COM-13714	AIRPOT ANGLE BRACKET	MAKE FROM 6061-T6 ALUMINUM RIGHT ANGLE 2"X1"X1/8"	7.20
2	1	CPP-13713	DASHPOT, AIRPOT, 1" STROKE	VARIOUS	124.92
1	1	COM-13712	AIRPOT MOUNT BRACKET	6061-T6 ALUMINUM	134.14

DO NOT SCALE DRAWING

INTERPRET DRAWINGS PER ASME Y14.5M-1994 UNLESS OTHERWISE SPECIFIED:
DIMENSIONS ARE IN MILLIMETERS
X.X = ±0.25
X.XX = ±0.10
ANGLES = ±0.5°
ROUNDS AND FILLETS ARE R3.0
BREAK ALL SHARP EDGES
0.25MM X 0.25MM
INDICATED MACHINED SURFACES

3.2 ✓

DESIGN	J. LOPEZ	DATE	3/24/09
DRAWN	J. LOPEZ	DATE	3/24/09
CHECKED	<i>J. Lopez</i>	DATE	4-3-09
APPROVED	<i>[Signature]</i>	DATE	4/3/09
REVIEWED - DESIGN	<i>[Signature]</i>	DATE	4/6/09
REVIEWED - ASSEMBLY	<i>[Signature]</i>	DATE	4-3-09

 EOS TECHNOLOGIES, INC. 3160 E. TRANSCON WAY, SUITE 180, TUCSON, AZ 85706 PH: (520) 624-6399			
AIRPOT ASSEMBLY 1			
DRAWING NO.	STATUS	REVISION	SHEET SIZE
ASY-13711	Released	REL-01	A3
CONFIG. # FRM-12380-1	SCALE 1:2		