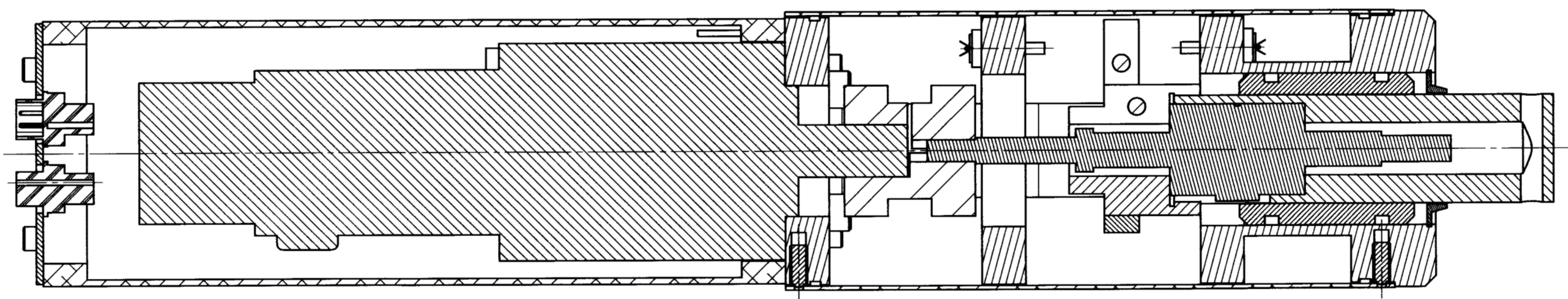
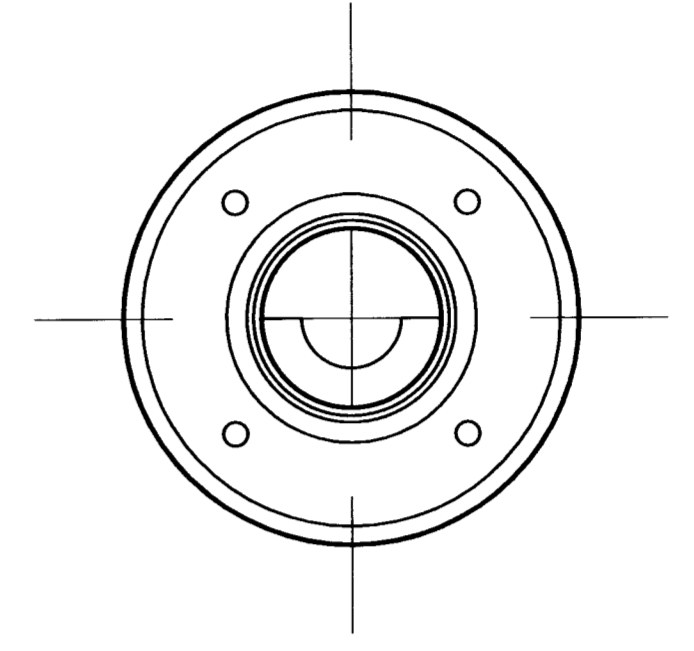
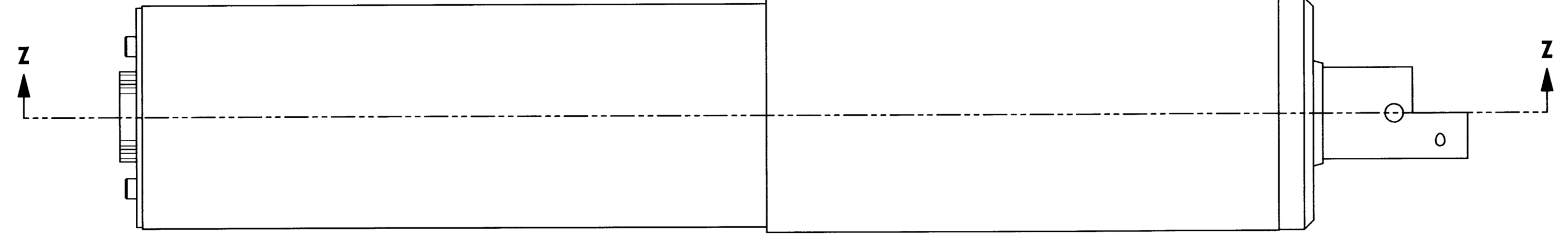
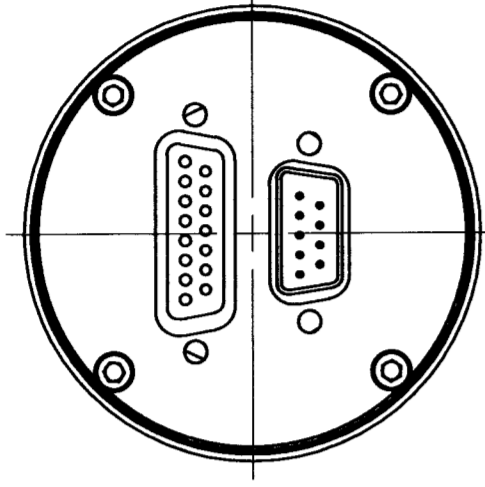
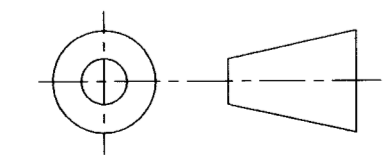


DRAWING NO. ASY-5171	REVISION REL-01
PROJECT CODE: LICK-51	

Controlled Document
Confirm revision before using



SECTION Z-Z



DO NOT SCALE DRAWING
DIMENSIONS IN MILLIMETERS

COPYRIGHT
THIS DOCUMENT & ENCLOSED PROPRIETARY INFORMATION
REMAINS THE PROPERTY OF EOS TECHNOLOGIES, INC. THE
INTELLECTUAL PROPERTY AND INFORMATION HEREIN MAY NOT
BE COPIED NOR DISCLOSED WITHOUT WRITTEN CONSENT OF
EOS TECHNOLOGIES, INC. MANAGEMENT

EOS TECHNOLOGIES, INC. 3140 E. TRANSCON WAY, SUITE 180, TUCSON, AZ 85706 PH: (520) 624-6399			
M2 QS ACTUATOR ASSEMBLY			
DRAWING NO.	STATUS	REVISION	SHEET SIZE
ASY-5171	Released	REL-01	A1
SCALE	SHEET		
1:1	2 OF 2		