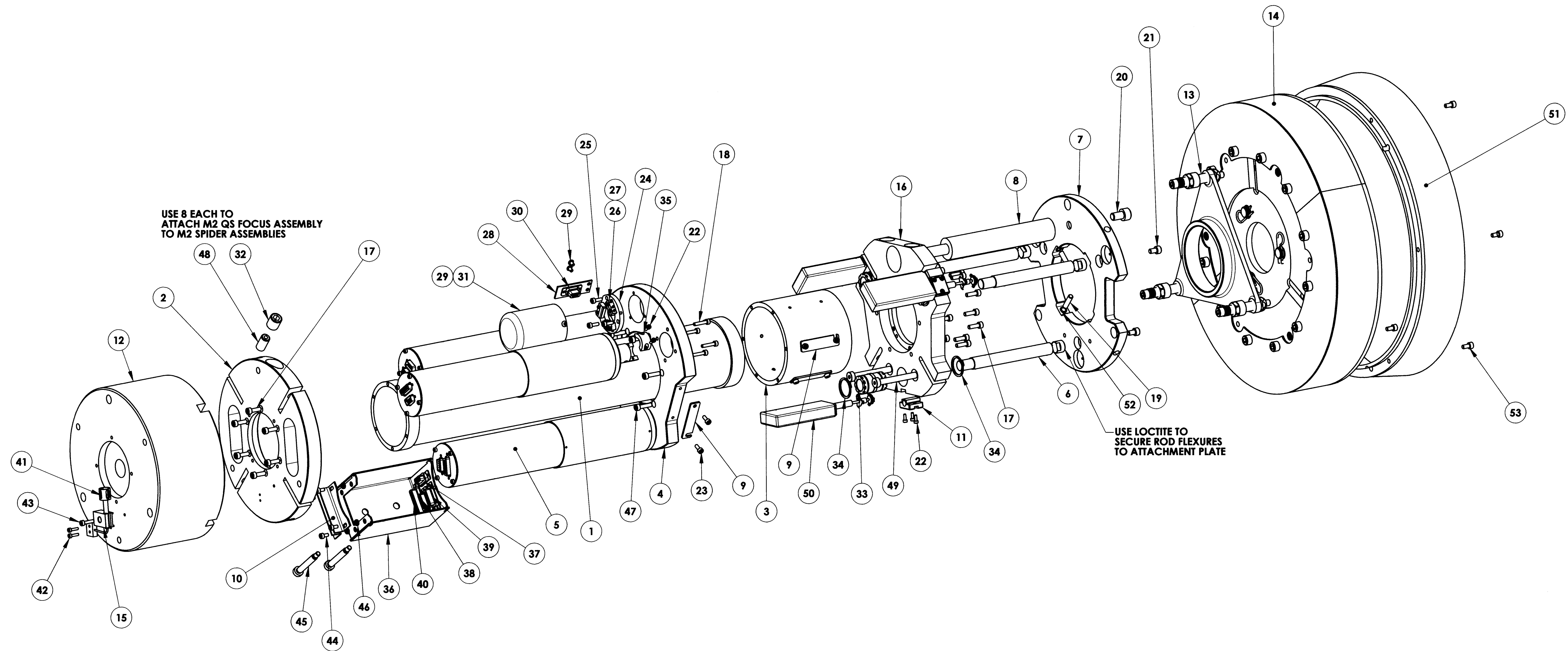
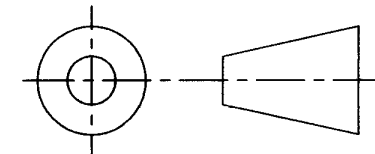


DRAWING NO. ASY-5201	REVISION REL-02
PROJECT CODE: LICK-51	

Controlled Document
Confirm revision before using




EXPLODED VIEW
BILL OF MATERIALS ON SHEET 1



DO NOT SCALE DRAWING
DIMENSIONS IN MILLIMETERS

COPYRIGHT
THIS DOCUMENT & ENCLOSED PROPRIETARY INFORMATION
REMAINS THE PROPERTY OF EOS TECHNOLOGIES, INC. THE
INTELLECTUAL PROPERTY AND INFORMATION HEREIN MAY NOT
BE COPIED NOR DISCLOSED WITHOUT WRITTEN CONSENT OF
EOS TECHNOLOGIES, INC. MANAGEMENT

 EOS TECHNOLOGIES, INC. 3160 E. TRANSCON WAY, SUITE 180, TUCSON, AZ 85706 PH: (520) 624-6399		TITLE M2 QS FOCUS ASSEMBLY	
SCALE 1:3		SHEET 2 OF 3	

