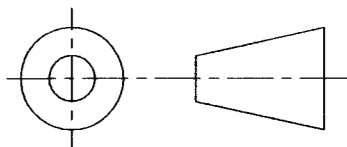
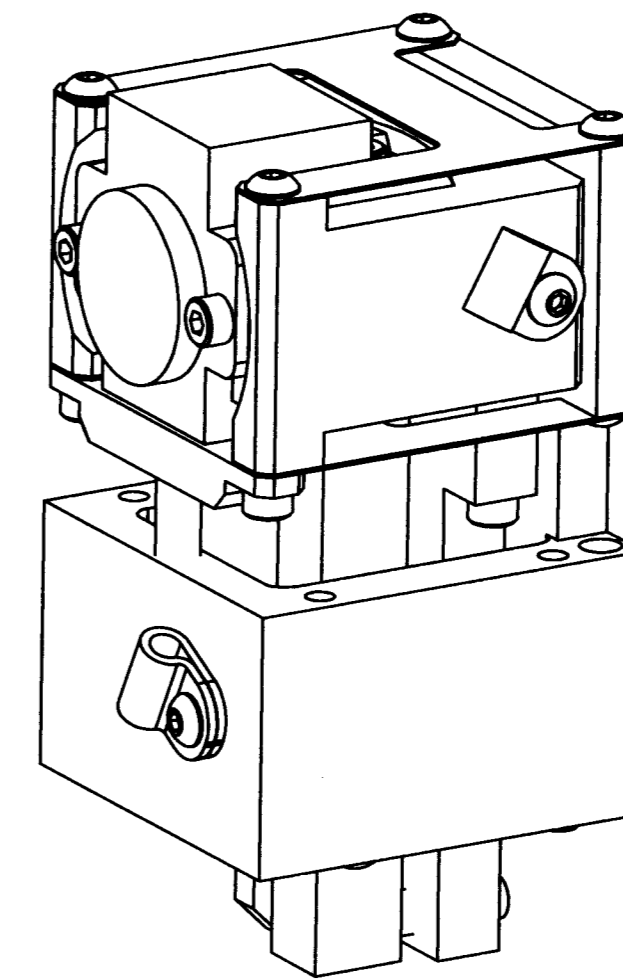
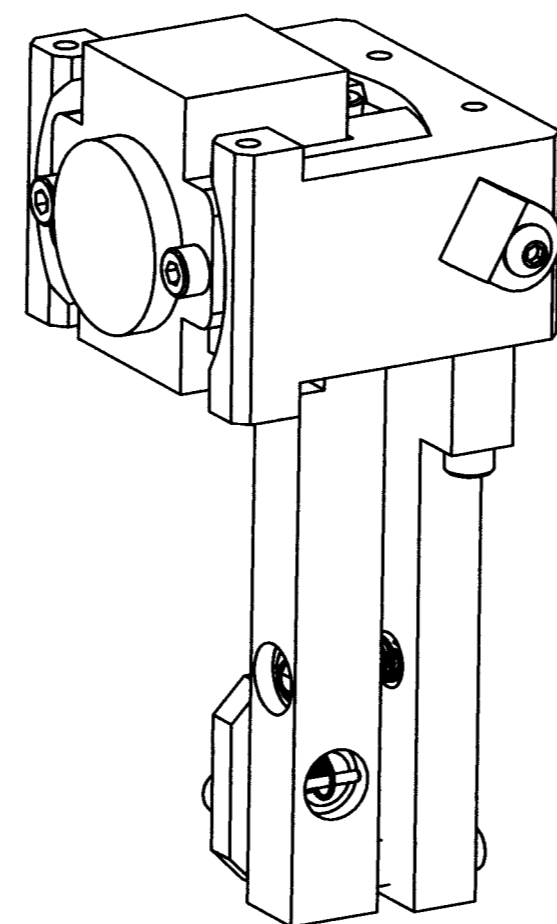
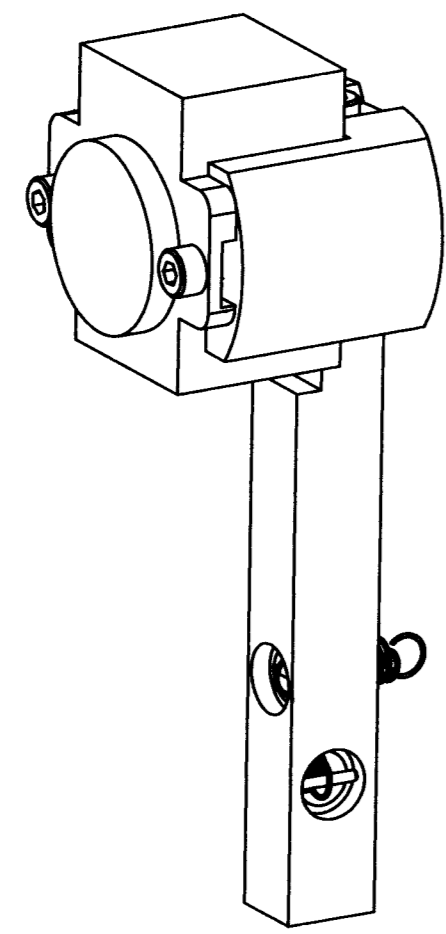
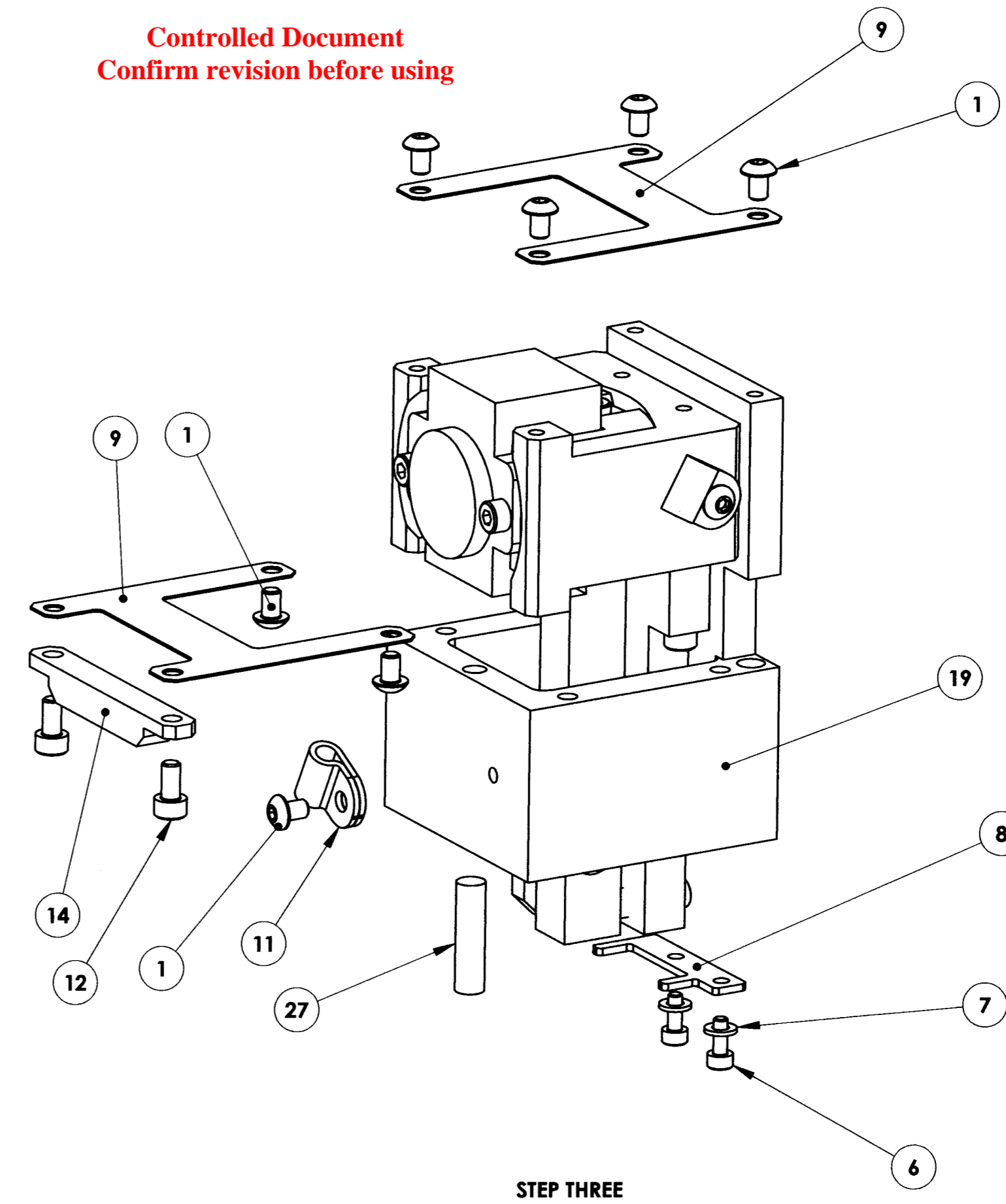
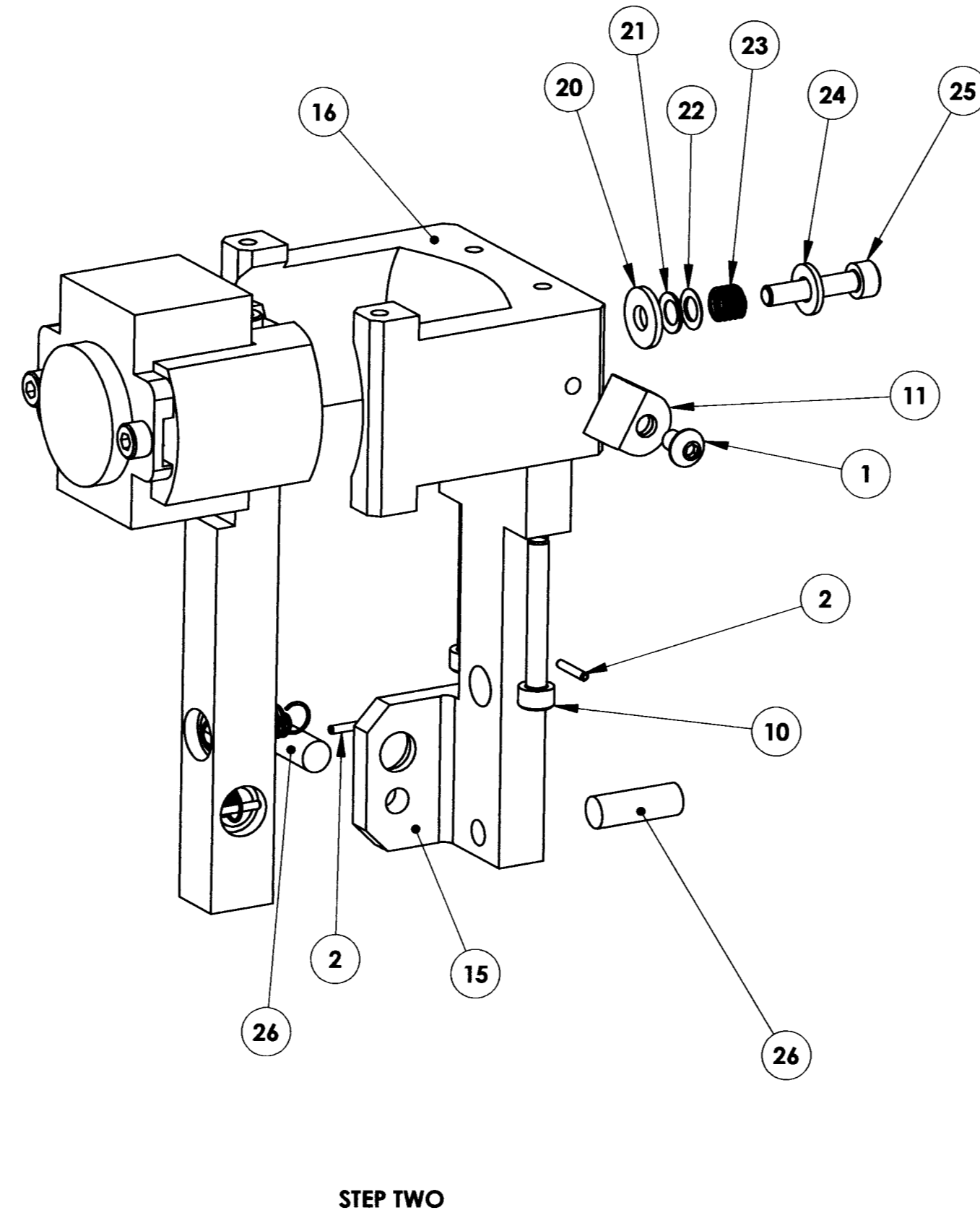
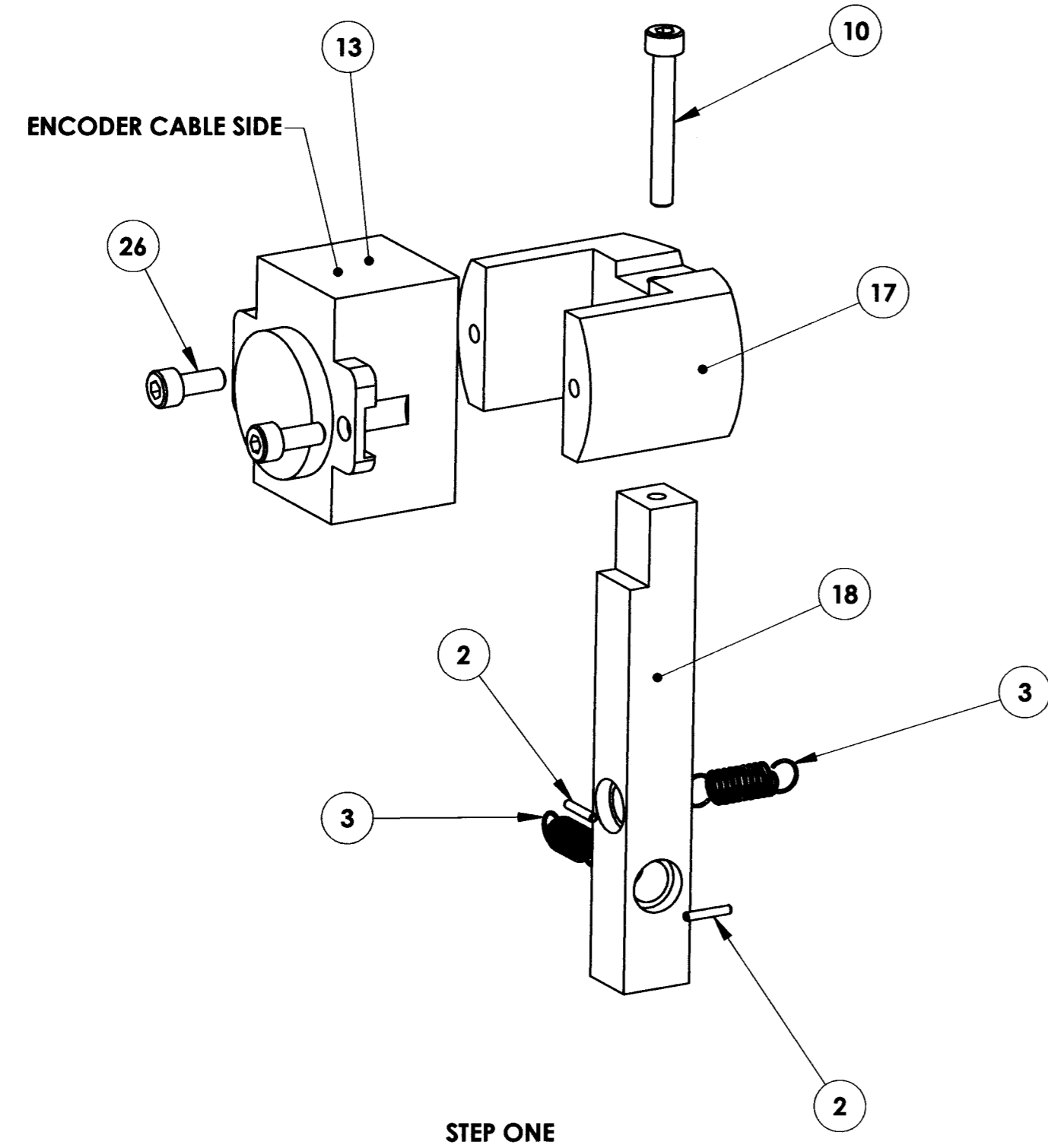


Controlled Document  
 Confirm revision before using



DO NOT SCALE DRAWING  
 DIMENSIONS IN MILLIMETERS

**COPYRIGHT**  
 THIS DOCUMENT & ENCLOSED PROPRIETARY INFORMATION  
 REMAINS THE PROPERTY OF EOS TECHNOLOGIES, INC. THE  
 INTELLECTUAL PROPERTY AND INFORMATION HEREIN MAY NOT  
 BE COPIED NOR DISCLOSED WITHOUT WRITTEN CONSENT OF  
 EOS TECHNOLOGIES, INC. MANAGEMENT

		<b>EOS TECHNOLOGIES, INC.</b> 3160 E. TRANSCON WAY, SUITE 180, TUCSON, AZ 85706 PH: (520) 624-6399	
<b>ENCODER TOWER ASSY</b>			
DRAWING NO. <b>ASY-5380</b>	STATUS <b>Released</b>	REVISION <b>REL-01</b>	SHEET SIZE <b>A1</b>
SCALE 1:1		SHEET 2 OF 2	