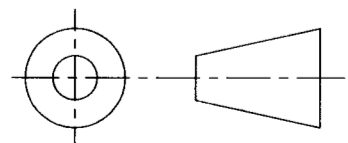
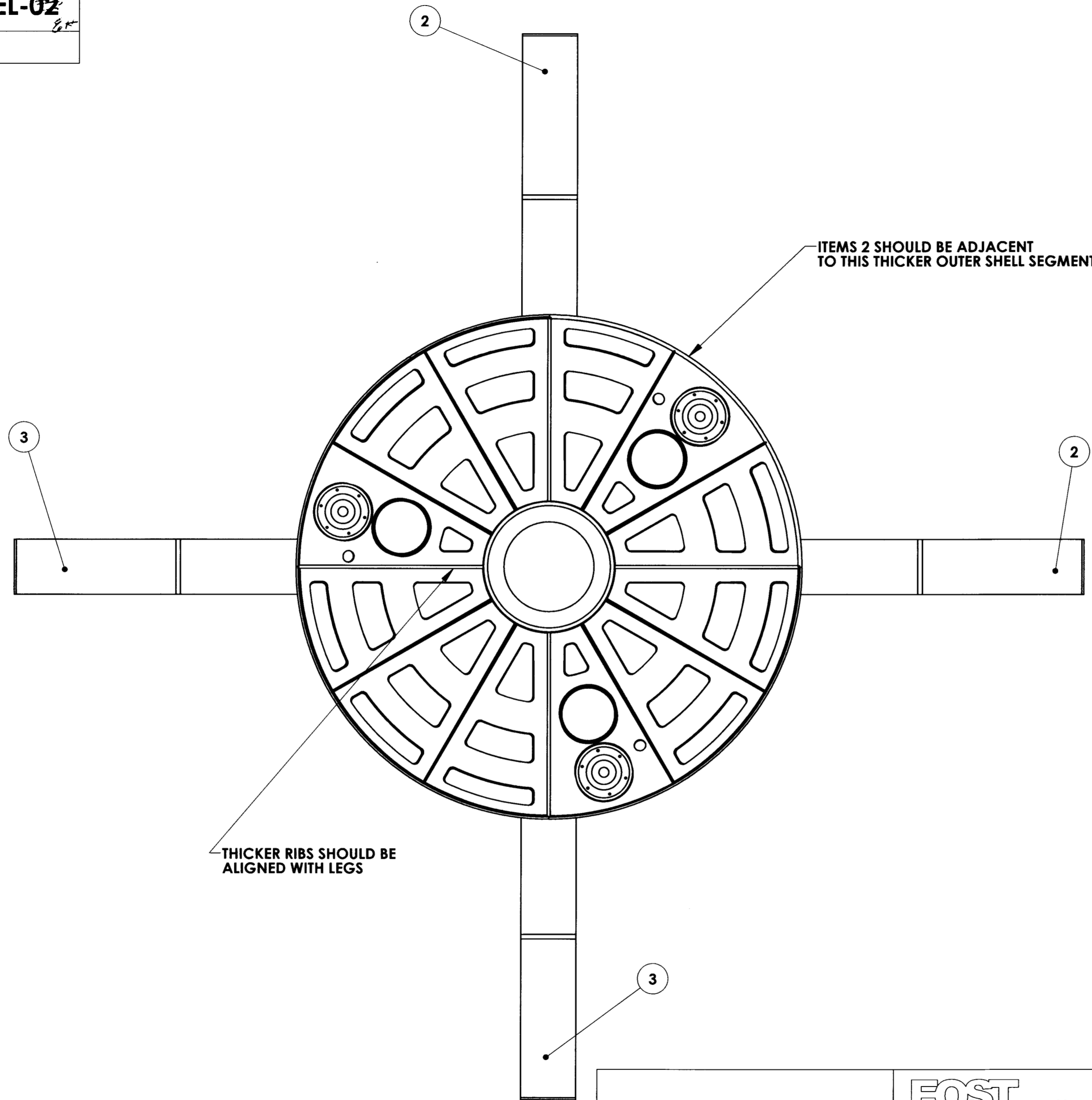


**Controlled Document**  
Confirm revision before using



**DO NOT SCALE DRAWING  
DIMENSIONS IN MILLIMETERS**

**COPYRIGHT**  
THIS DOCUMENT & ENCLOSED PROPRIETARY INFORMATION REMAINS THE PROPERTY OF EOS TECHNOLOGIES, INC. THE INTELLECTUAL PROPERTY AND INFORMATION HEREIN MAY NOT BE COPIED NOR DISCLOSED WITHOUT WRITTEN CONSENT OF EOS TECHNOLOGIES, INC. MANAGEMENT



**EOS TECHNOLOGIES, INC.**  
925 WEST GRANT ROAD - TUCSON - ARIZONA - 85705 - (520) 624-6399

TITLE:  
**MIRROR CELL - WELDMENT**

DRAWING NO.  
**ASY-5455**

STATUS  
**Pre-Released**

REVISION  
**REL-02**

SHEET SIZE  
**A2**

EOST NO. SHEET 2 OF 2

SCALE: 1:25