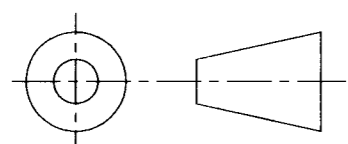
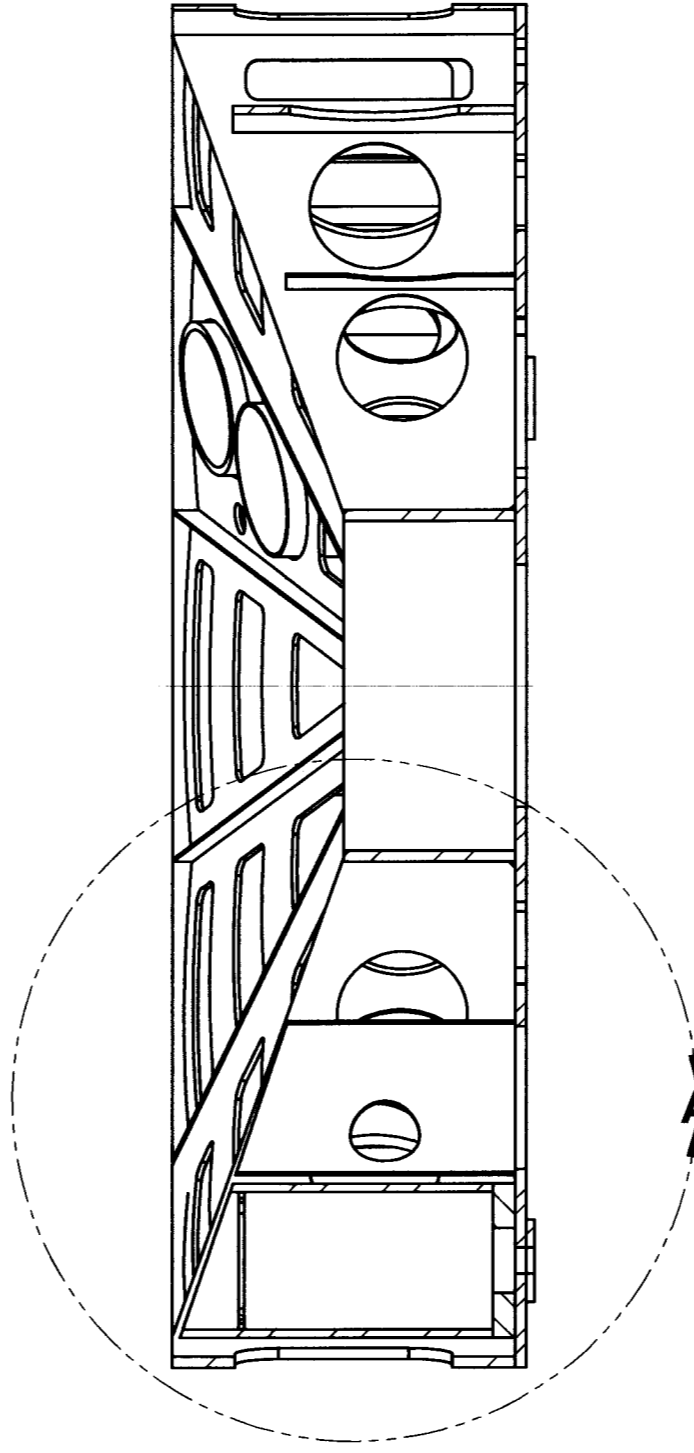
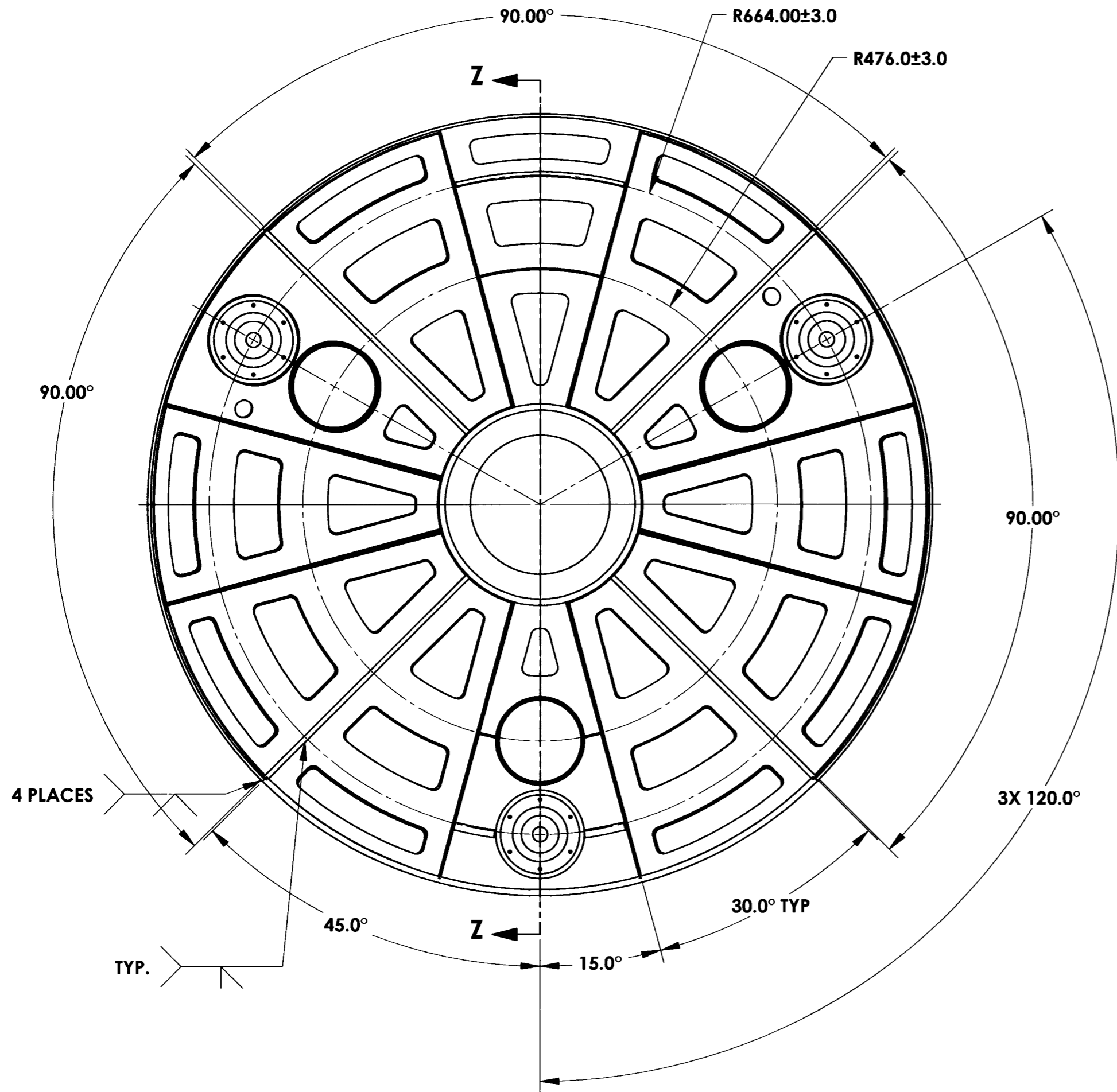
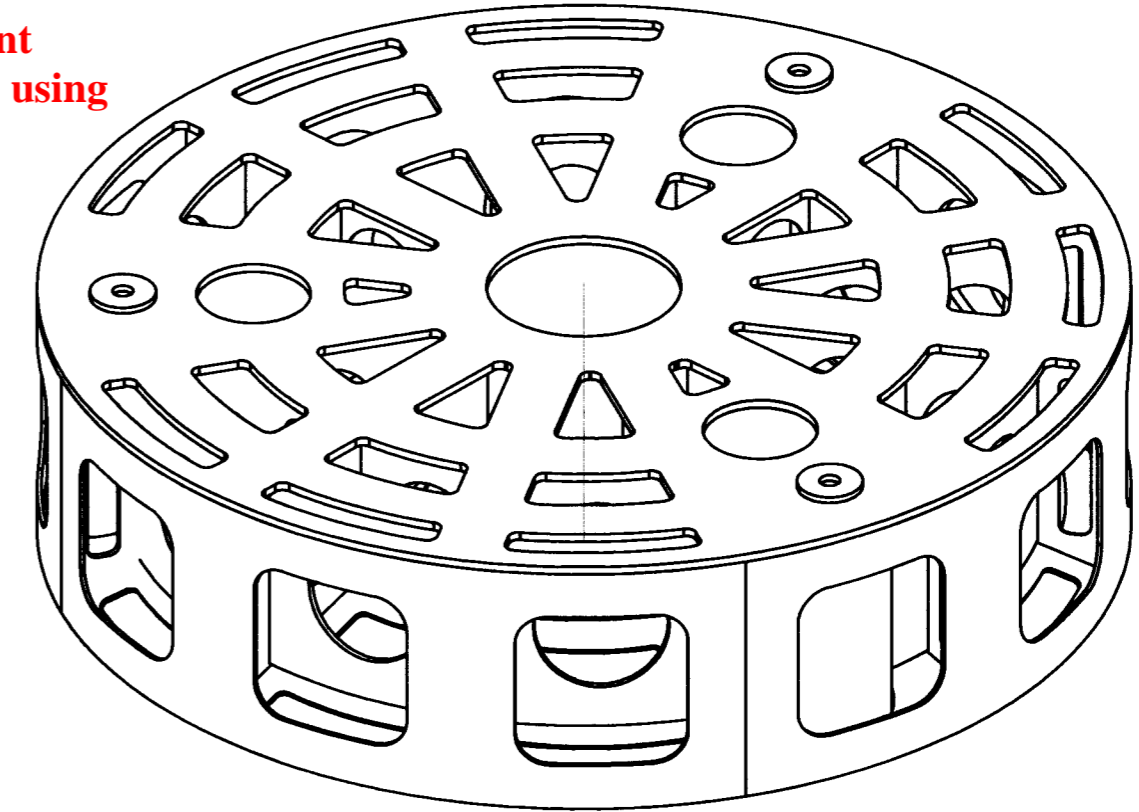


|                                 |                           |
|---------------------------------|---------------------------|
| DRAWING NO.<br><b>ASY-5456</b>  | REVISION<br><b>REL-01</b> |
| PROJECT CODE:<br><b>LICK-51</b> |                           |

- NOTES:  
 1) ORIENTATION OF THICKER RADIAL WEBS ARE 90 DEGREES APART AND 45 DEGREES FROM ONE LOAD CYLINDER.  
 2) THICKER RADIAL WEBS SHOULD BE WELDED TO OUTER SHELL SEAMS.

**Controlled Document**  
**Confirm revision before using**



**DO NOT SCALE DRAWING  
 DIMENSIONS IN MILLIMETERS**

|  |  |                           |                           |
|--|--|---------------------------|---------------------------|
| COPYRIGHT<br>THIS DOCUMENT & ENCLOSED PROPRIETARY INFORMATION REMAINS THE PROPERTY OF EOS TECHNOLOGIES, INC. THE INTELLECTUAL PROPERTY AND INFORMATION HEREIN MAY NOT BE COPIED NOR DISCLOSED WITHOUT WRITTEN CONSENT OF EOS TECHNOLOGIES, INC. MANAGEMENT | <b>EOS</b> EOS TECHNOLOGIES, INC.<br>925 WEST GRANT ROAD - TUCSON - ARIZONA - 85705 - (520) 624-6399 |                           |                           |
|  | TITLE:<br><b>MIRROR CELL CENTRAL HUB - WELDMENT</b>  |                           |                           |
|  | DRAWING NO.<br><b>ASY-5456</b>   | STATUS<br><i>RELEASED</i> | REVISION<br><b>REL-01</b> |
|  | SCALE:1:8  | SHEET 2 OF 4              | SHEET SIZE<br><b>A2</b>   |