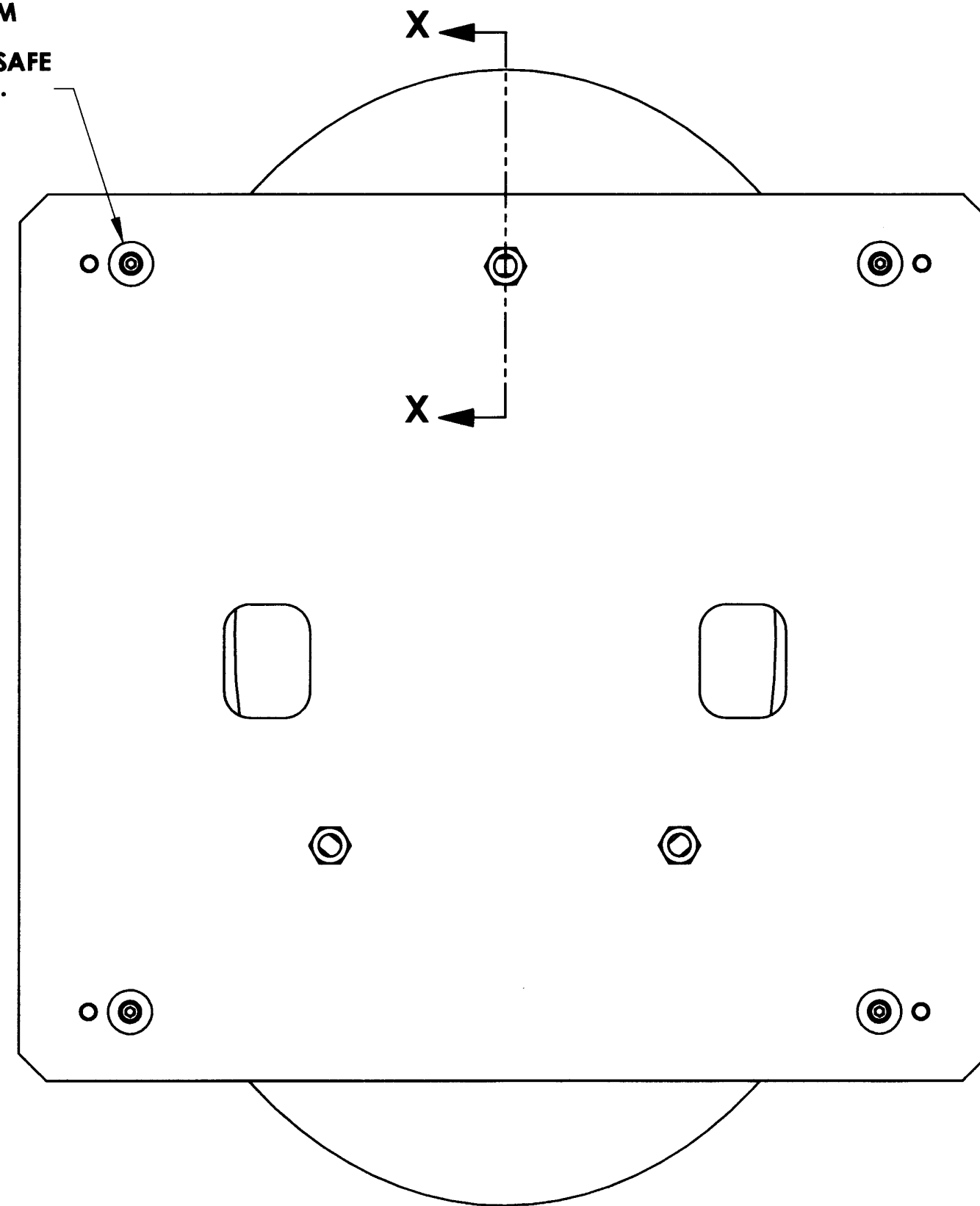


| | |
|---------------------------------|---------------------------|
| DRAWING NO. ASY-5671 | REVISION REL-02 |
| PROJECT CODE: LICK-51 | |

Controlled Document
Confirm revision before using

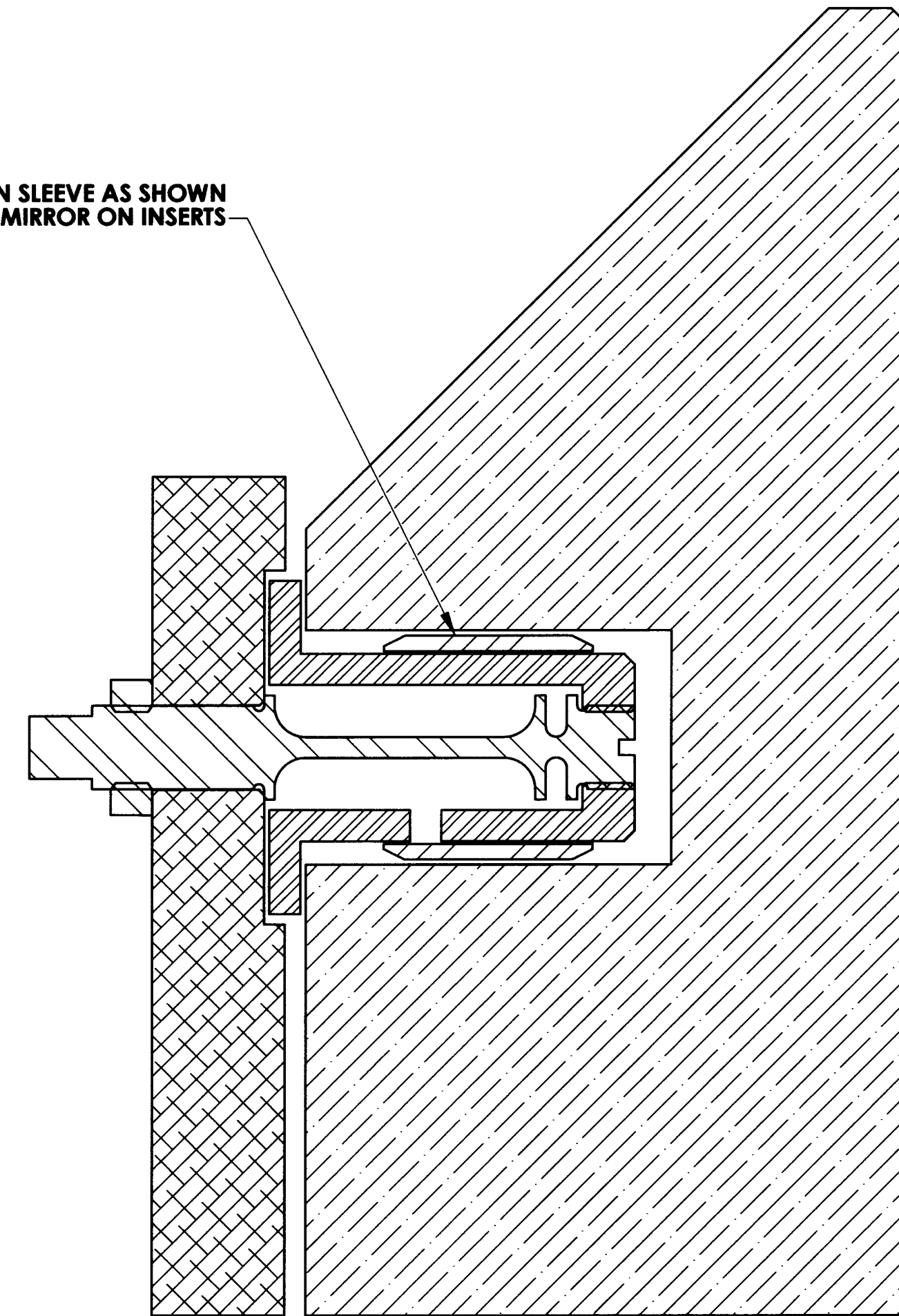
LICK

SCREW THE FEET ON THE BOTTOM OF THE MIRROR FIXTURE PLATE AND SECURE WITH A VACUUM SAFE THREAD-LOCKING COMPOUND.

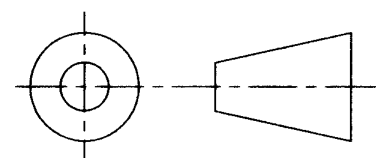


BOTTOM VIEW

INSTALL DELRIN SLEEVE AS SHOWN TO CENTER MIRROR ON INSERTS



SECTION X-X
(SOME DETAILS NOT SHOWN FOR CLARITY)
SCALE 2 : 1



DO NOT SCALE DRAWING
DIMENSIONS IN MILLIMETERS

COPYRIGHT

THIS DOCUMENT & ENCLOSED PROPRIETARY INFORMATION REMAINS THE PROPERTY OF EOS TECHNOLOGIES, INC. THE INTELLECTUAL PROPERTY AND INFORMATION HEREIN MAY NOT BE COPIED NOR DISCLOSED WITHOUT WRITTEN CONSENT OF EOS TECHNOLOGIES, INC. MANAGEMENT



EOS TECHNOLOGIES, INC.

3160 E. TRANSCON WAY, SUITE 180, TUCSON, AZ 85706 PH: (520) 624-6399

TITLE:

M3 MIRROR ASSEMBLY

DRAWING NO.

ASY-5671

STATUS

Released

REVISION

REL-02

SHEET SIZE

A2

SCALE:1:0.5

SHEET 3 OF 5

