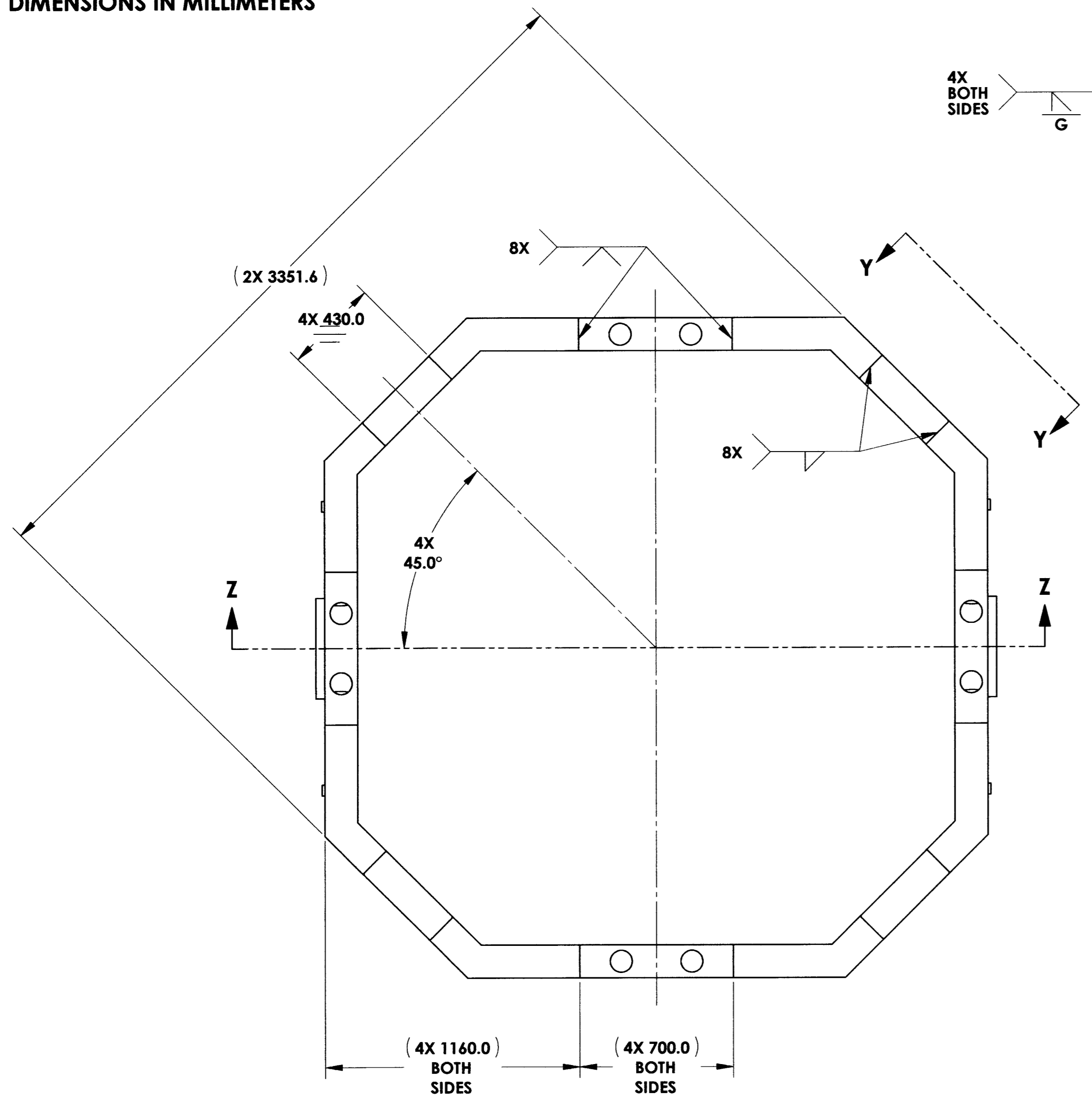


DRAWING NO. **ASY-5712** REVISION **REL-02**  
 PROJECT CODE: **LICK 51**

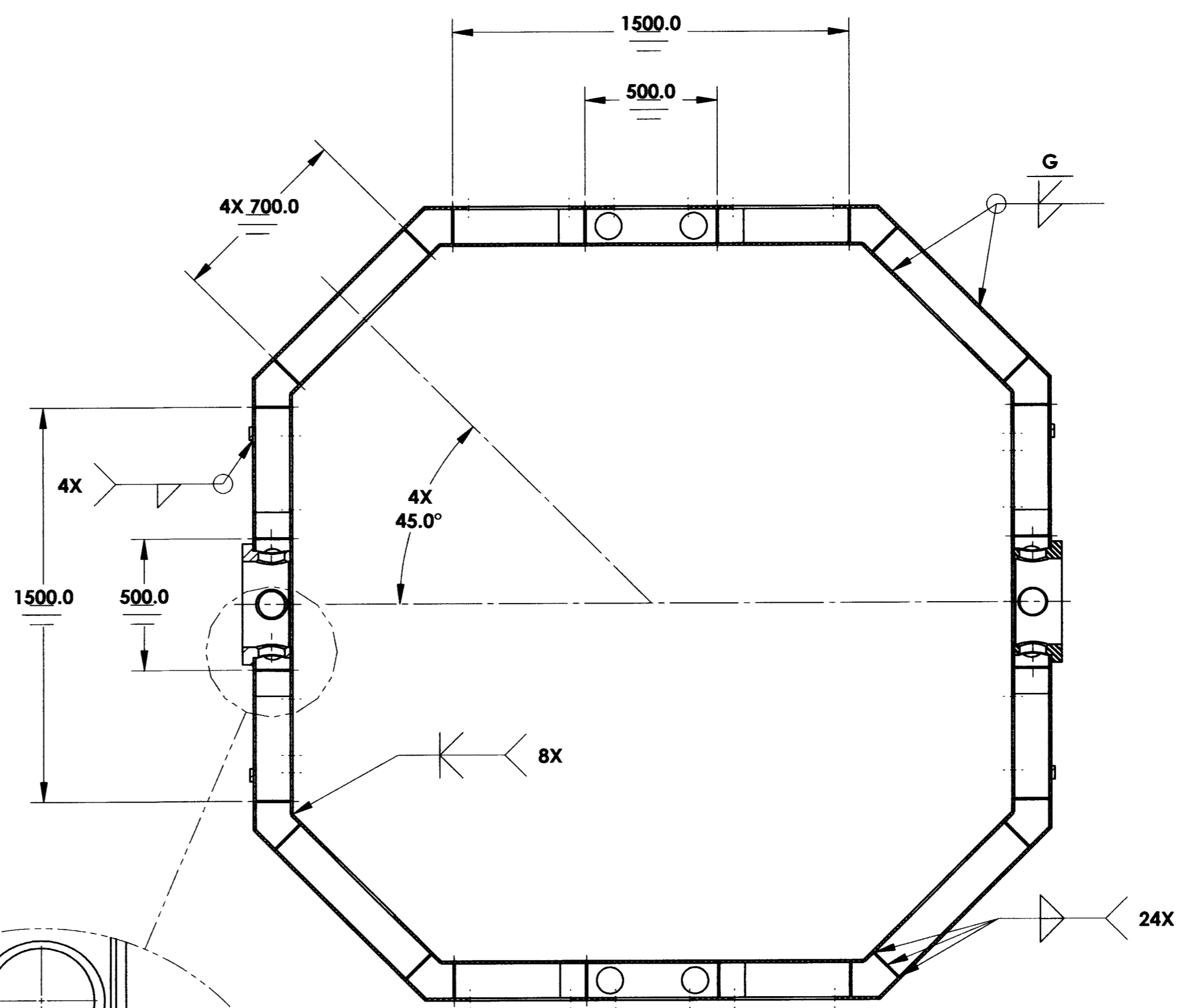
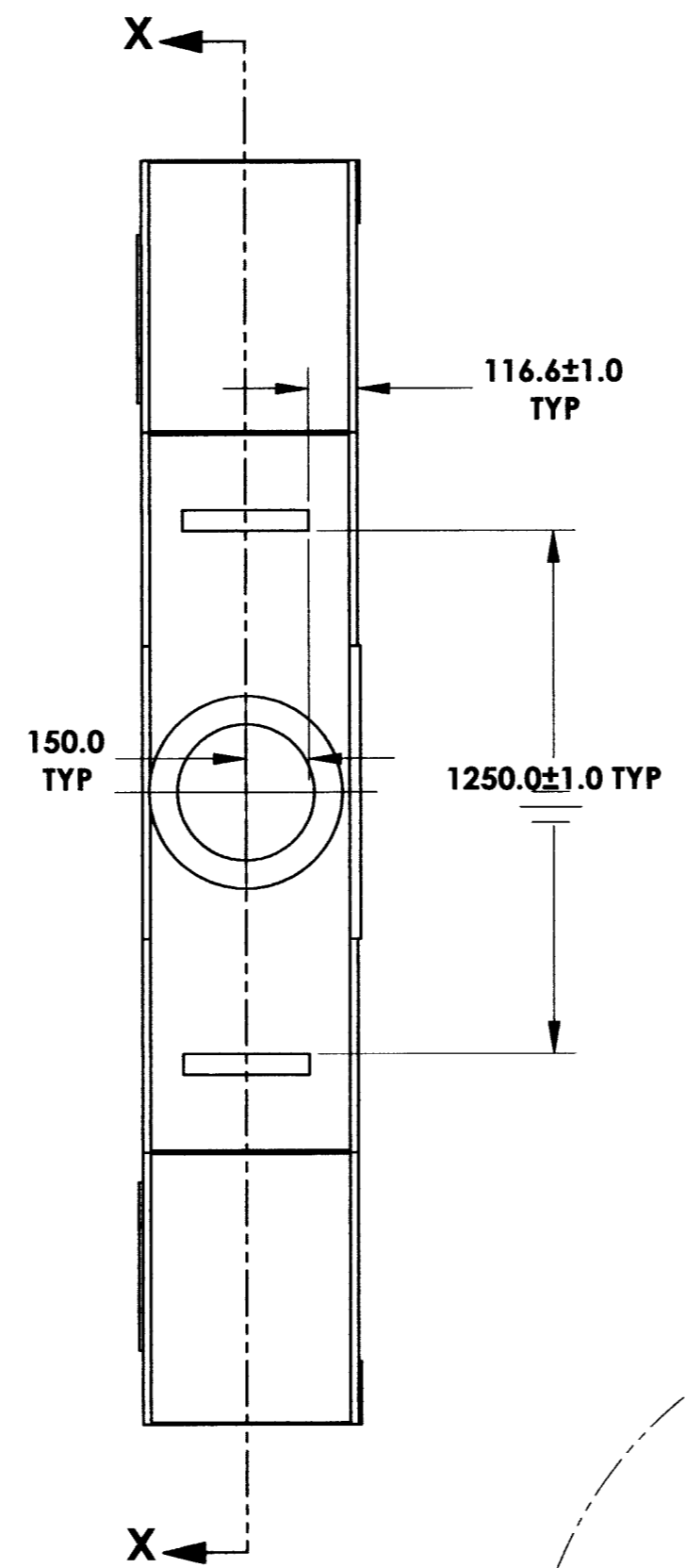
Controlled Document  
 Confirm revision before using

DO NOT SCALE DRAWING  
 DIMENSIONS IN MILLIMETERS

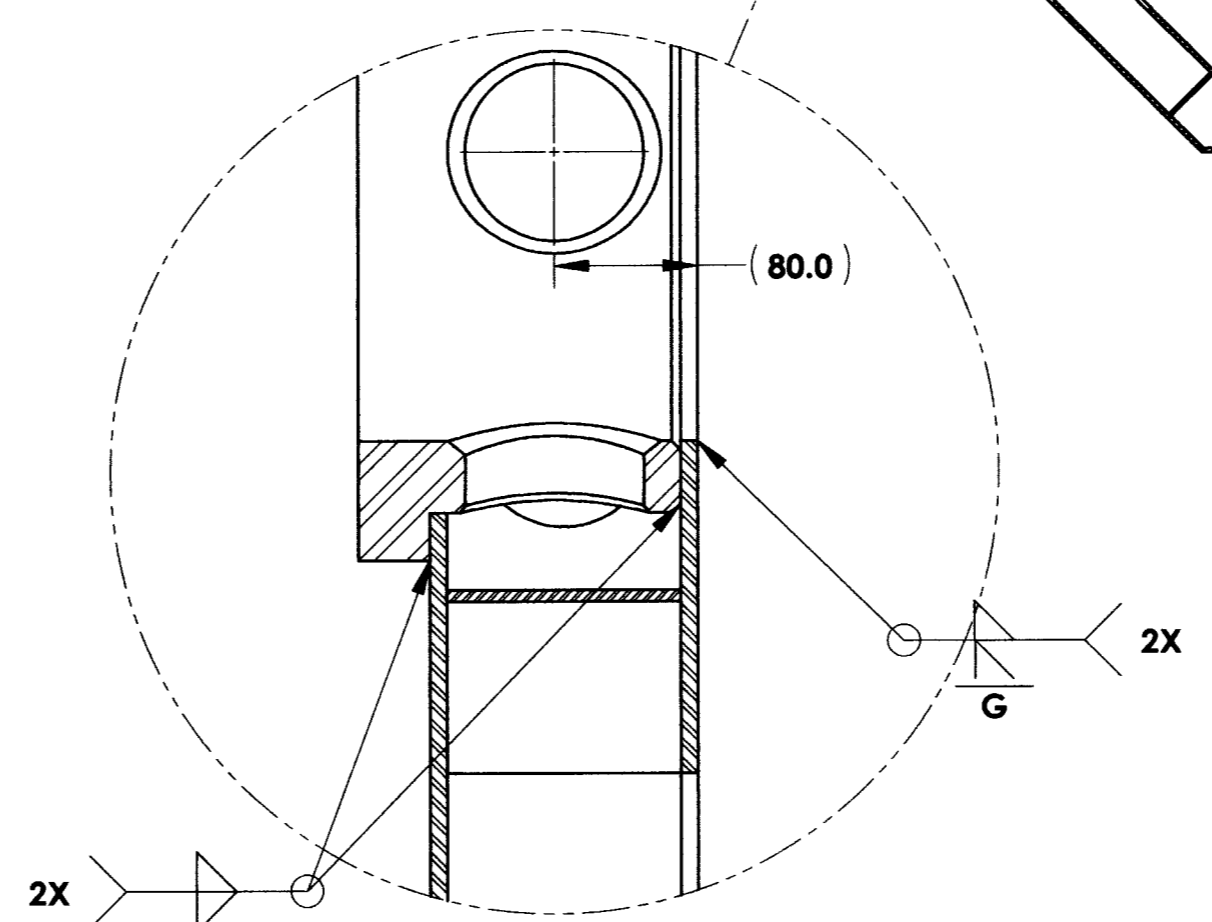
VIEW Y-Y  
 SCALE 1:10



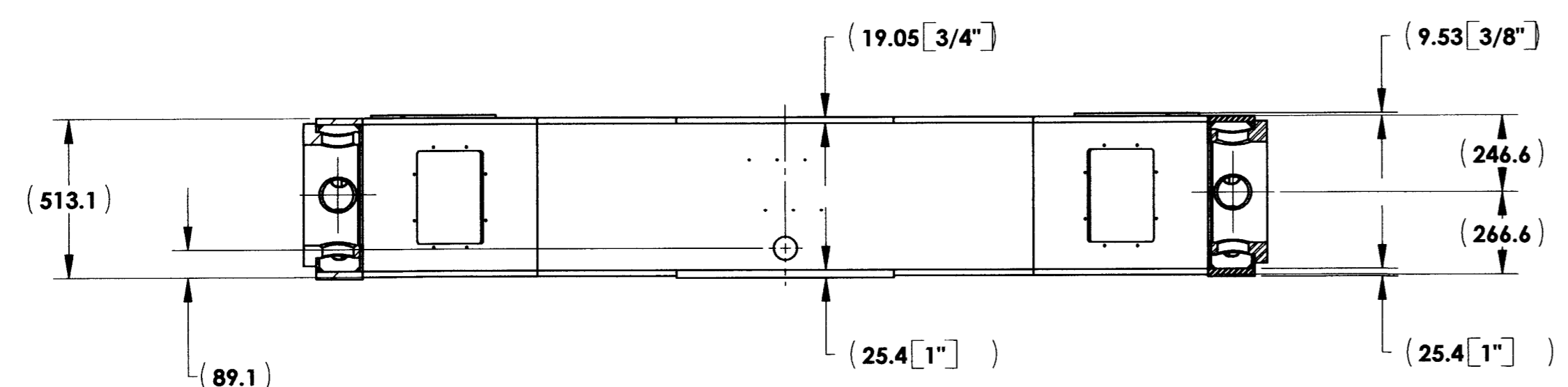
4X BOTH SIDES



SECTION X-X



DETAIL A  
 SCALE 1:4



SECTION Z-Z

COPYRIGHT  
 THIS DOCUMENT & ENCLOSED PROPRIETARY INFORMATION  
 REMAINS THE PROPERTY OF EOS TECHNOLOGIES, INC. THE  
 INTELLECTUAL PROPERTY AND INFORMATION HEREIN MAY NOT  
 BE COPIED NOR DISCLOSED WITHOUT WRITTEN CONSENT OF  
 EOS TECHNOLOGIES, INC. MANAGEMENT

**EOS** EOS TECHNOLOGIES, INCORPORATED  
 925 W. GRANT RD, TUCSON, AZ 85705 PH: (520) 624-6399 www.eostech.com

**CENTER SECTION WELDMENT**

DRAWING NO. <b>ASY-5712</b>	STATUS <b>Released</b>	REVISION <b>REL-02</b>	SHEET SIZE <b>A1</b>
SCALE <b>1:16</b>	SHEET <b>2 OF 2</b>		