

DRAWING NO. **ASY-5735** REVISION **REL-05**

PROJECT CODE: **LICK-51**

REQUIRED PER TELESCOPE: 1 PER TELESCOPE

MATERIAL: BY COMPONENT

CONDITION: BY COMPONENT

FINISH: BY COMPONENT

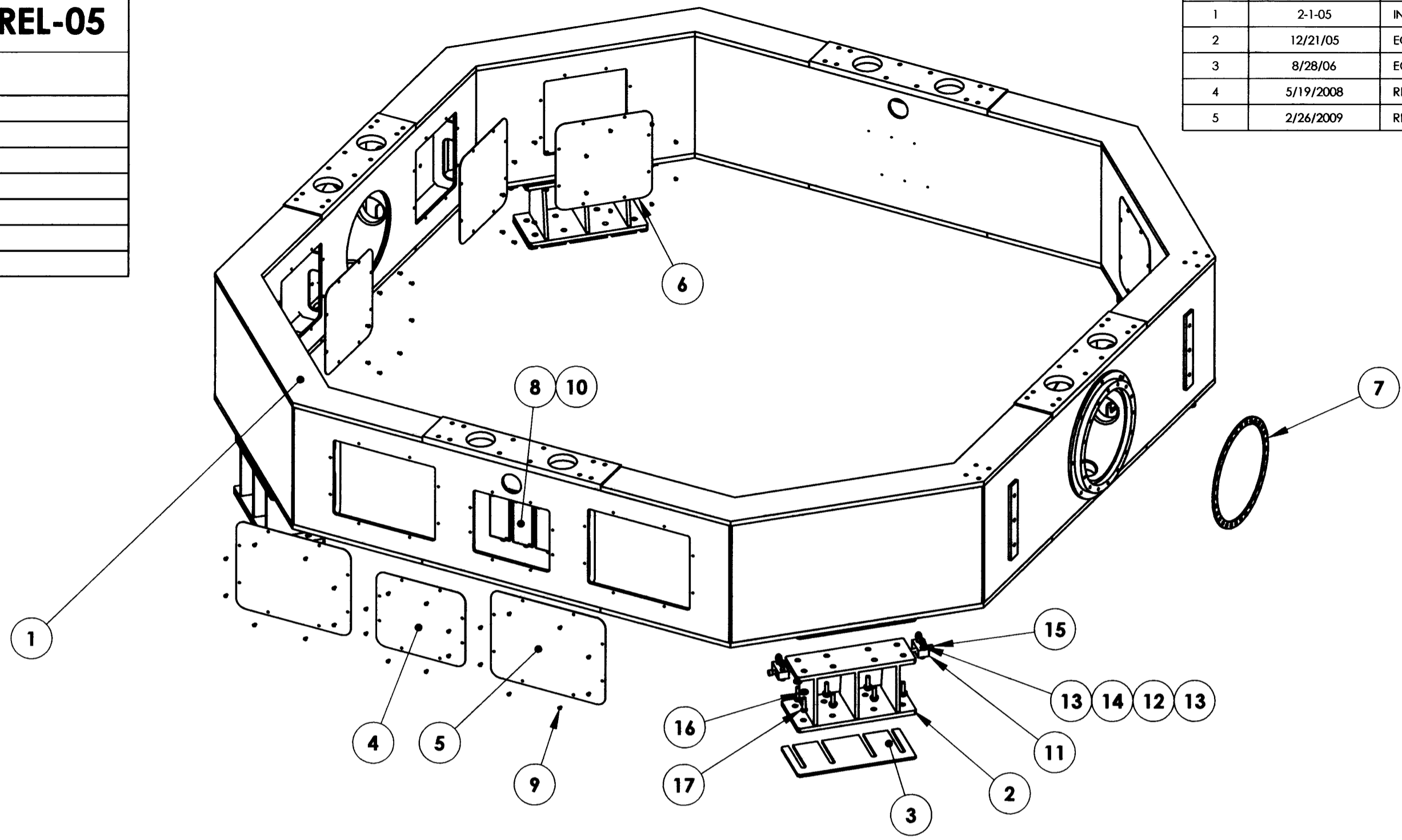
FINISH COLOR:

APPROXIMATE MASS: 1369194.11 gm

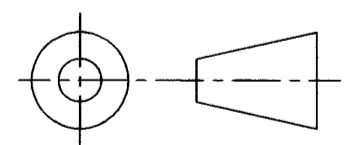
REFERENCE DOCUMENTS:

REV.	DATE	DESCRIPTION	CHK'D	APP'VD	ZONE
1	2-1-05	INITIAL RELEASE	KLW	GJP	
2	12/21/05	ECO-0538	KG	KG	
3	8/28/06	ECO-0796	KG	KG	
4	5/19/2008	REVISE PER ECO-1136	LRG	KG	
5	2/26/2009	REVISED PER ECO-1152			

Controlled Document
Confirm revision before using



ITEM NO.	Default/QTY.	PART NUMBER	DESCRIPTION	Material	Weight
17	32	0145165	HHCS, M12-1.75 X 45	FASTENAL, ZINC PLATED ALLOY STEEL	103.11
16	32	CPP-11074	WASHER, EXTRA THICK, M12	CASE-HARDENED STEEL, McM 98040A107	14.16
15	8	0135976	SHCS, M12-1.75 X 70	FASTENAL, ZINC PLATED ALLOY STEEL	193.54
14	16	1140308	NUT, HEX, M10-1.5	FASTENAL, ZINC PLATED ALLOY STEEL	38.815
13	16	0135960	SHCS, M10-1.5 X 65	FASTENAL, ZINC PLATED ALLOY STEEL	37.87
12	32	40358	WASHER, FLAT, M10	FASTENAL, ZINC PLATED ALLOY STEEL	0.004
11	8	COM-13095	LSF PUSHER BLOCK	STEEL	541.90
10	6	B18.3.1M - 4 x 0.7 x 20 Hex SHCS -- 20NHX			
9	112	B18.3.4M - 6 x 1.0 x 10 SBHCS --N			
8	3	CPP-11690	INTERPOLATOR, ENCODER	VARIOUS, HEIDENHAIN EXE660B	813.28
7	2	COM-6639	ELEVATION SPACER RING	A 36 STEEL	1192.01
6	8	COM-5731	COVER PLATE 1	ASTM A-36 STEEL	1500
5	4	COM-5732	COVER PLATE 2	ASTM A-36 STEEL	1934
4	2	COM-5733	COVER PLATE 3	ASTM A-36 STEEL	1284
3	4	COM-5734	SHIM	ASTM A-36 STEEL	5048
2	4	COM-5730	CS TO FS BRACKET	ASTM A-36 STEEL	27338
1	1	COM-5713	CS WELDMENT MACHINED	ASTM A-36 STEEL	0



DO NOT SCALE DRAWING

<p>COPYRIGHT</p> <p>THIS DOCUMENT & ENCLOSED PROPRIETARY INFORMATION REMAINS THE PROPERTY OF EOS TECHNOLOGIES, INC. THE INTELLECTUAL PROPERTY AND INFORMATION HEREIN MAY NOT BE COPIED NOR DISCLOSED WITHOUT WRITTEN CONSENT OF EOS TECHNOLOGIES, INC. MANAGEMENT</p>	<p>UNLESS OTHERWISE SPECIFIED:</p> <p>DIMENSIONS ARE IN MILLIMETERS</p> <p>TOLERANCES:</p> <p>X.X = ±0.25MM</p> <p>X.XX = ±0.10MM</p> <p>ANGLES = ±0.5°</p> <p>ROUNDS AND FILLETS ARE R3.0</p> <p>BREAK ALL SHARP EDGES 0.25MM X 0.25MM</p>	<p>WELDS ARE: MAX SIZE FILLET OR FULL PENETRATION GROOVE AS APPROPRIATE.</p> <p>ALL WELDS ARE CONTINUOUS</p> <p>NEAREST NOMINAL STOCK SIZE MAY BE SUBSTITUTED.</p> <p>INDICATED MACHINED SURFACES</p>	DESIGN	ERIK DALE	DATE	1/25/05	<p>EOS TECHNOLOGIES, INC.</p> <p>3160 E. TRANSCON WAY, SUITE 180, TUCSON, AZ 85706 PH: (520) 624-6399</p>			
			DRAWN	ERIK DALE	DATE	1/25/05				
			CHECKED	K. WASMER	DATE	2-1-05				
			APPROVED	G. PENTLAND	DATE	2-1-05				
<p>TITLE</p> <p>CS WITH COVERS AND SPACERS</p>										
<p>DRAWING NO. ASY-5735</p>					STATUS	Released	REVISION	REL-05	SHEET SIZE	A2
					SHEET	1 OF 1	SCALE	1:15		