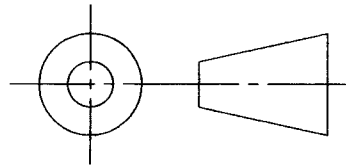
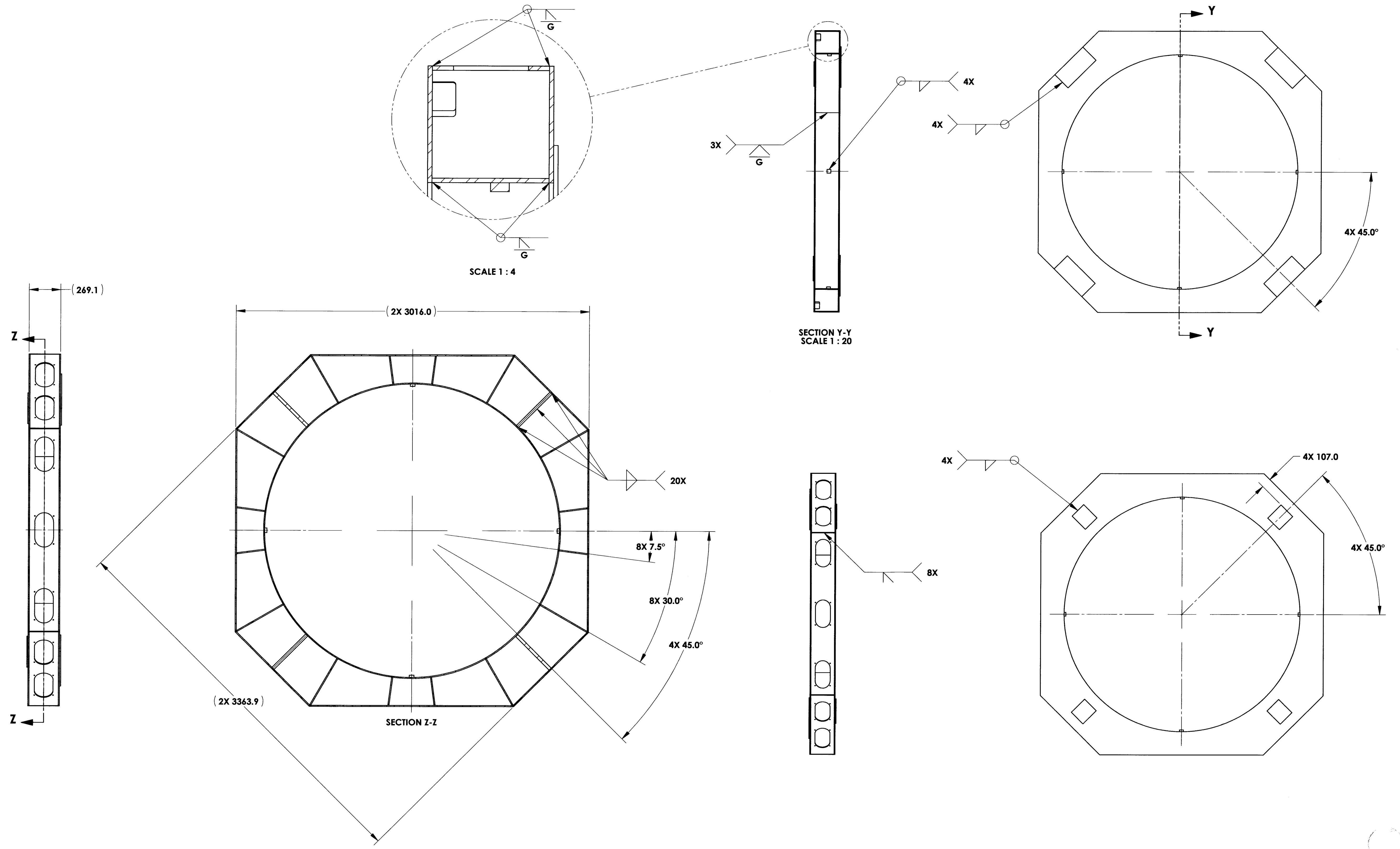


Controlled Document
 Confirm revision before using



**DO NOT SCALE DRAWING
 DIMENSIONS IN MILLIMETERS**

COPYRIGHT
 THIS DOCUMENT & ENCLOSED PROPRIETARY INFORMATION
 REMAINS THE PROPERTY OF EOS TECHNOLOGIES, INC. THE
 INTELLECTUAL PROPERTY AND INFORMATION HEREIN MAY NOT
 BE COPIED NOR DISCLOSED WITHOUT WRITTEN CONSENT OF
 EOS TECHNOLOGIES, INC. MANAGEMENT

EOS TECHNOLOGIES, INC.			
<small>3160 E. TRANSCON WAY, SUITE 180, TUCSON, AZ 85706 PH: (520) 624-6399</small>			
LSF WELDMENT			
DRAWING NO.	STATUS	REVISION	SHEET SIZE
ASY-5737	Released	REL-01	A1
SCALE 1:16	SHEET 2 OF 2		