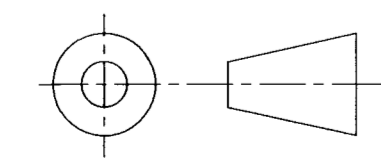
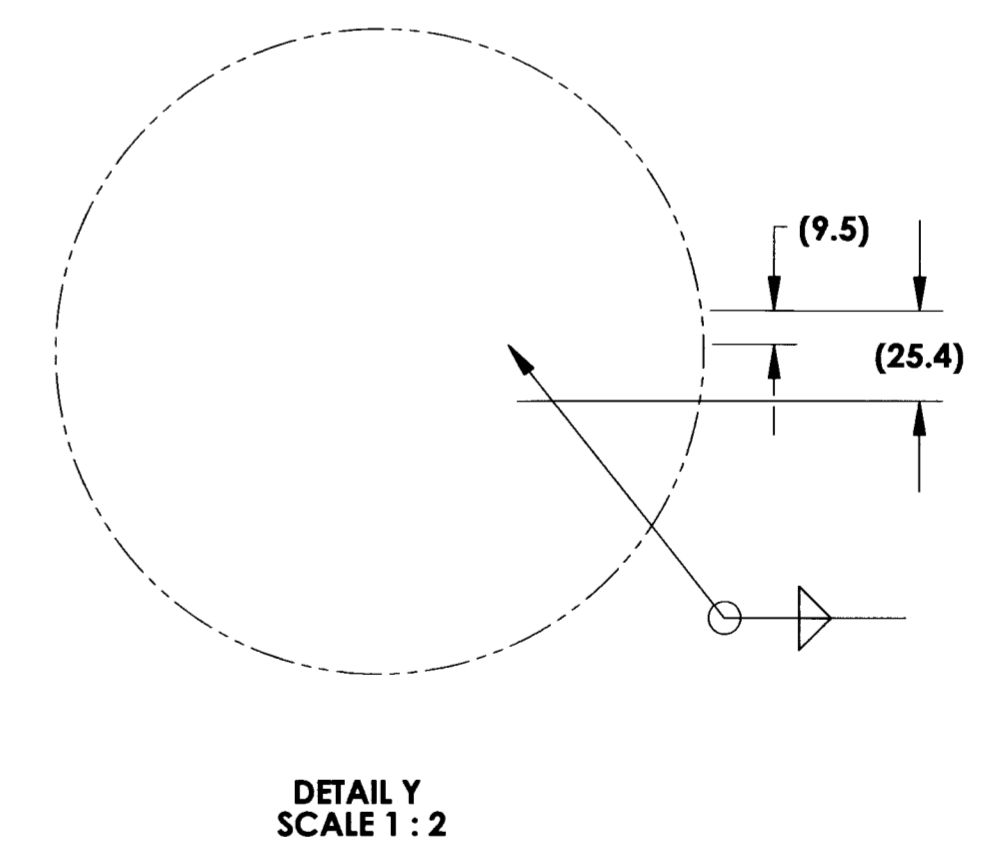
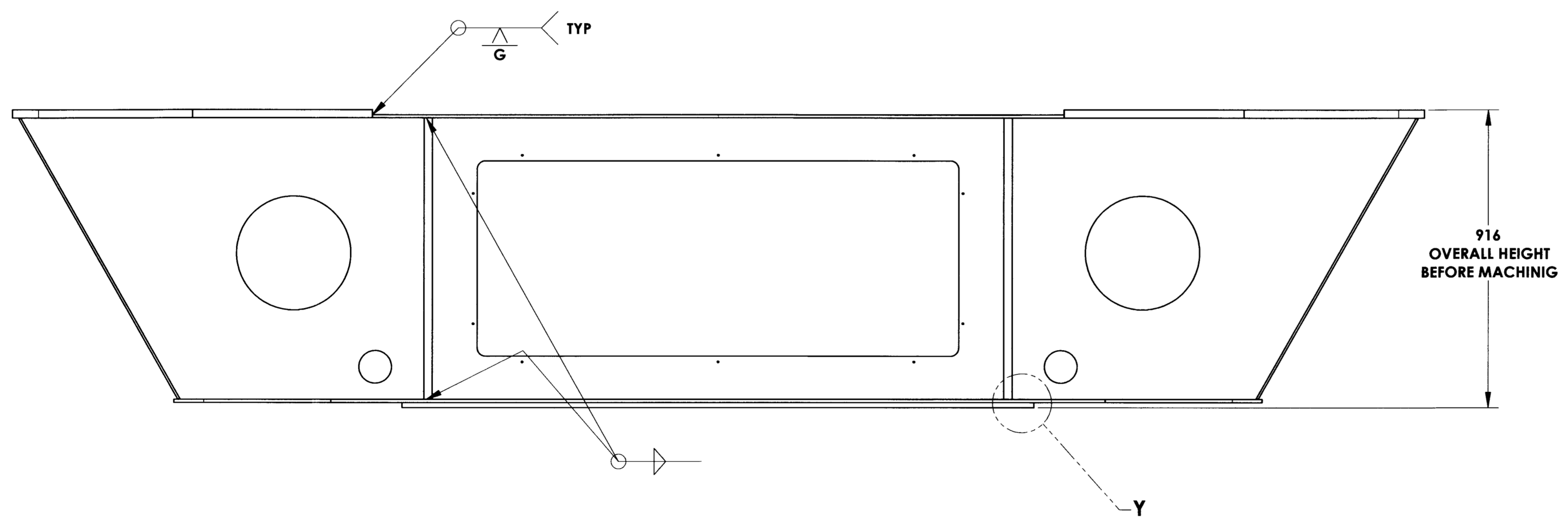
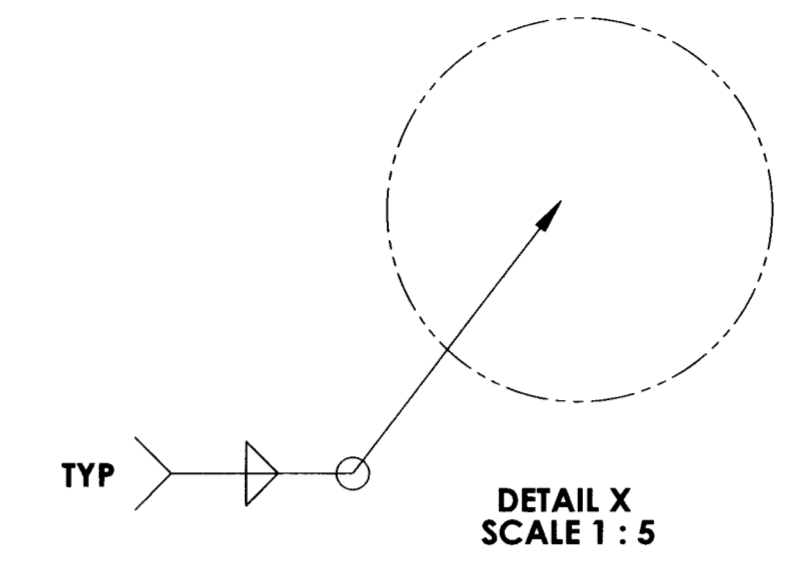
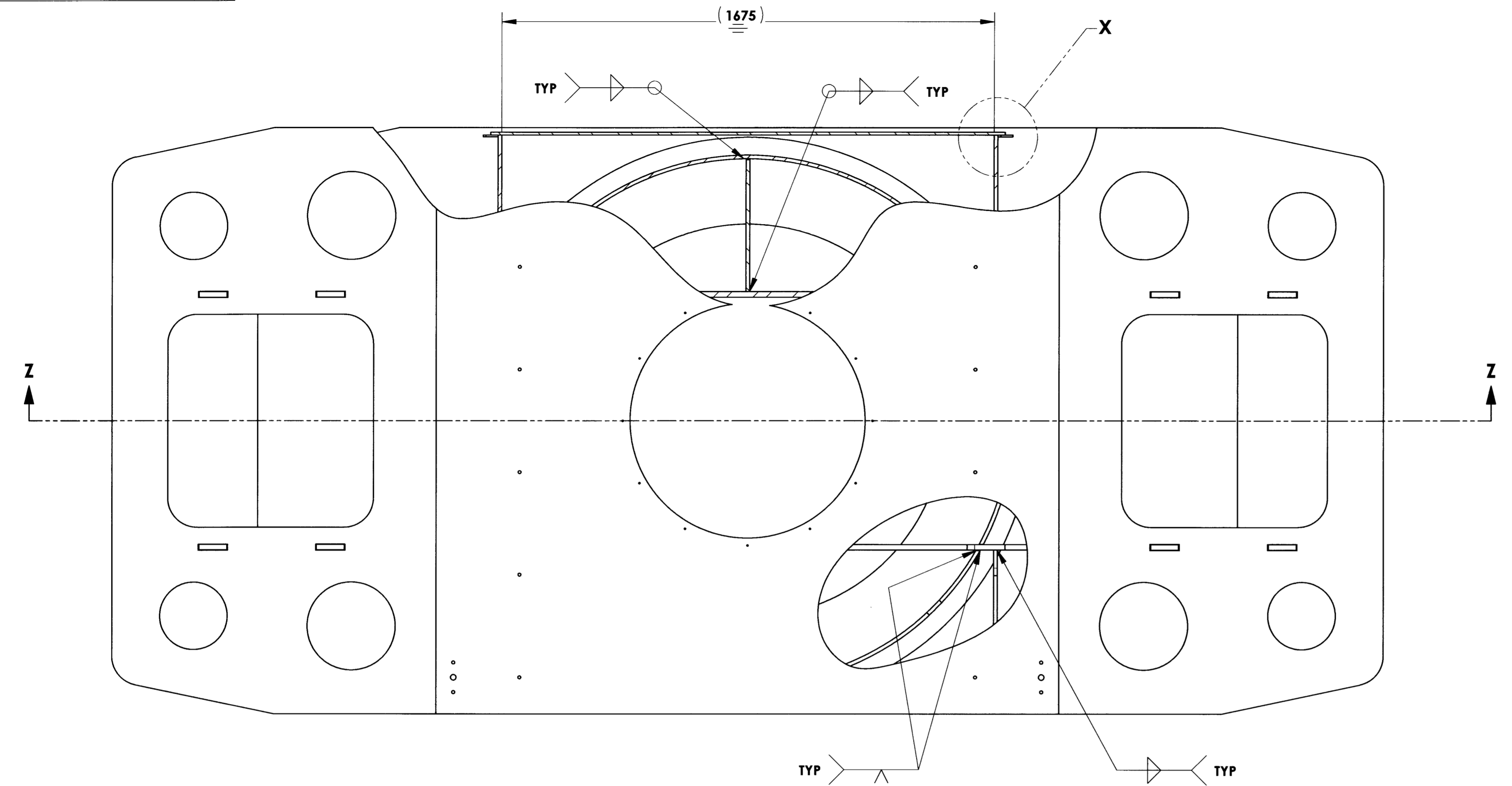


DRAWING NO. **ASY-5794** REVISION **REL-01**
 PROJECT CODE:

Controlled Document
 Confirm revision before using



DO NOT SCALE DRAWING
DIMENSIONS IN MILLIMETERS

COPYRIGHT
 THIS DOCUMENT & ENCLOSED PROPRIETARY INFORMATION REMAINS THE PROPERTY OF EOS TECHNOLOGIES, INC. THE INTELLECTUAL PROPERTY AND INFORMATION HEREIN MAY NOT BE COPIED NOR DISCLOSED WITHOUT WRITTEN CONSENT OF EOS TECHNOLOGIES, INC. MANAGEMENT

EOS TECHNOLOGIES, INC. 3140 E. TRANSCON WAY, SUITE 180, TUCSON, AZ 85706 PH: (520) 624-6399			
YOKE BASE WELDMENT			
DRAWING NO. ASY-5794	STATUS Released	REVISION REL-01	SHEET SIZE A1
SCALE 1:10	SHEET 2 OF 2		