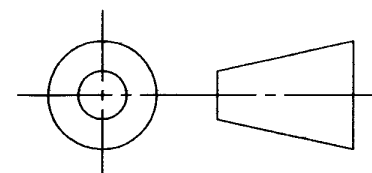
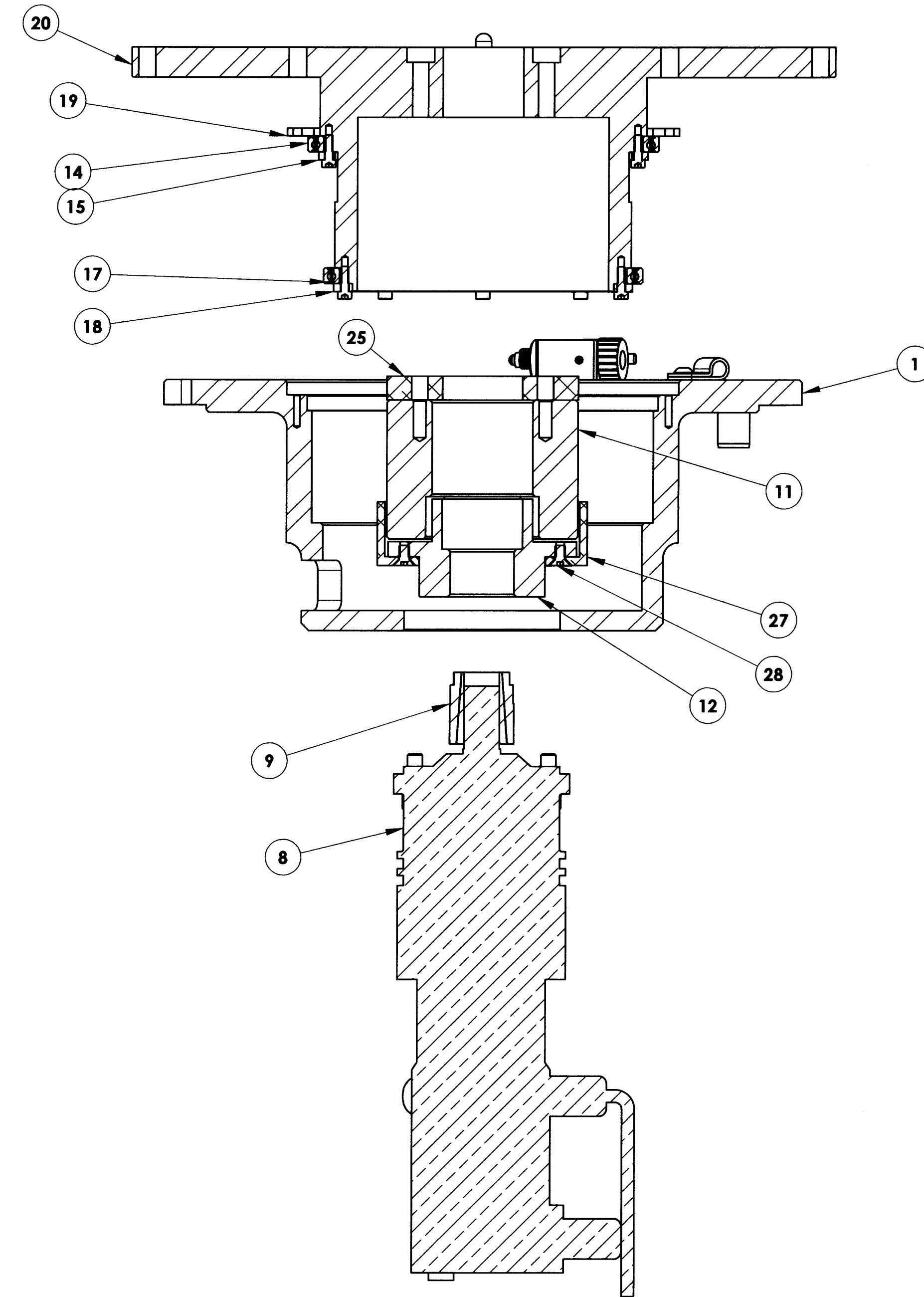
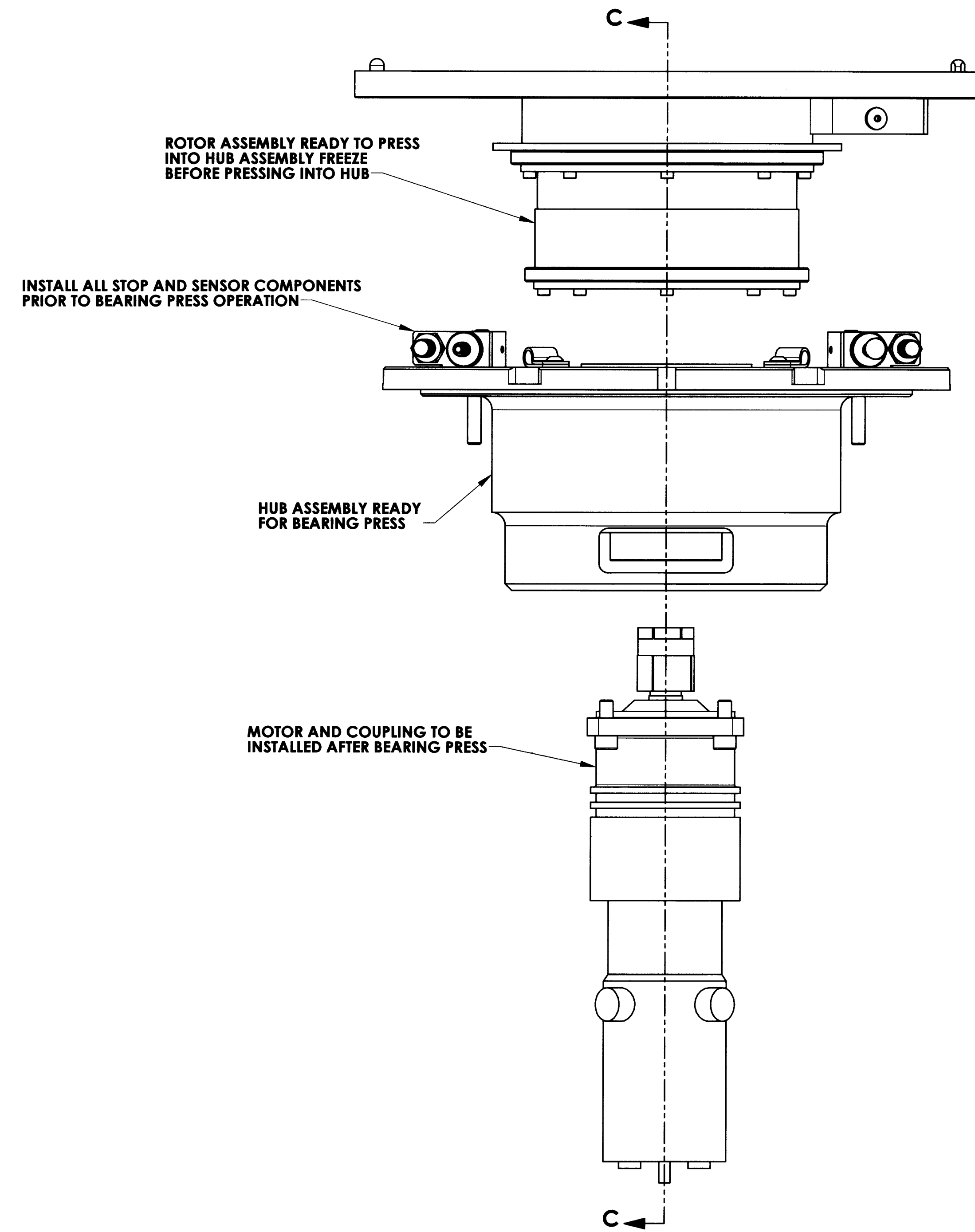


DRAWING NO. ASY-5828	REVISION REL-03
PROJECT CODE: LICK-51	

Controlled Document
Confirm revision before using

LICK



DO NOT SCALE DRAWING
DIMENSIONS IN MILLIMETERS

COPYRIGHT
THIS DOCUMENT & ENCLOSED PROPRIETARY INFORMATION
REMAINS THE PROPERTY OF EOS TECHNOLOGIES, INC. THE
INTELLECTUAL PROPERTY AND INFORMATION HEREIN MAY NOT
BE COPIED NOR DISCLOSED WITHOUT WRITTEN CONSENT OF
EOS TECHNOLOGIES, INC. MANAGEMENT

EOS TECHNOLOGIES, INC. 3160 E. TRANSCON WAY, SUITE 180, TUCSON, AZ 85706 PH: (520) 624-6399			
TITLE M3 ROTATOR ASSEMBLY			
DRAWING NO. ASY-5828	STATUS Released	REVISION REL-03	SHEET SIZE A1
SCALE 1:2		SHEET 2 OF 2	