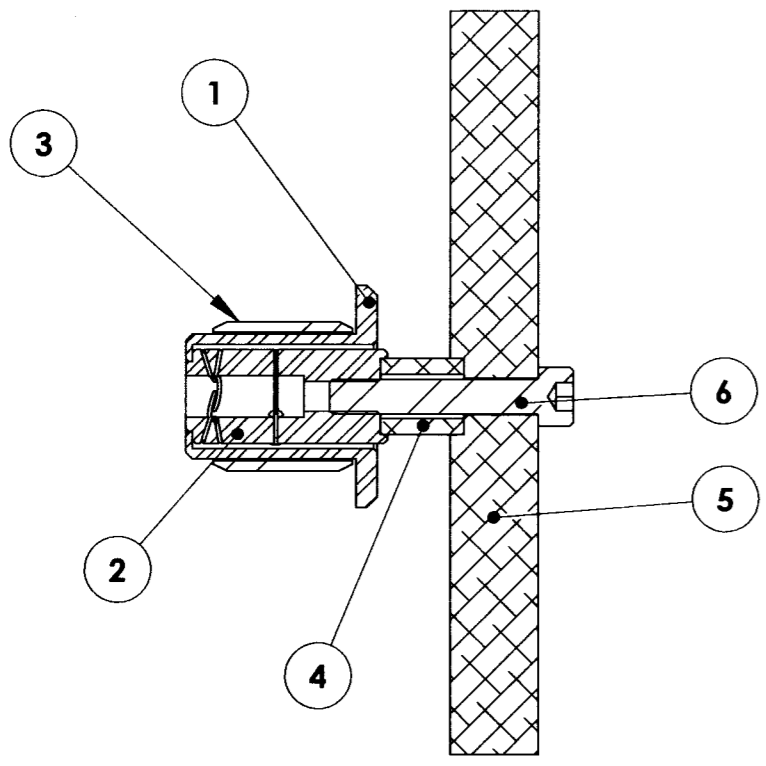
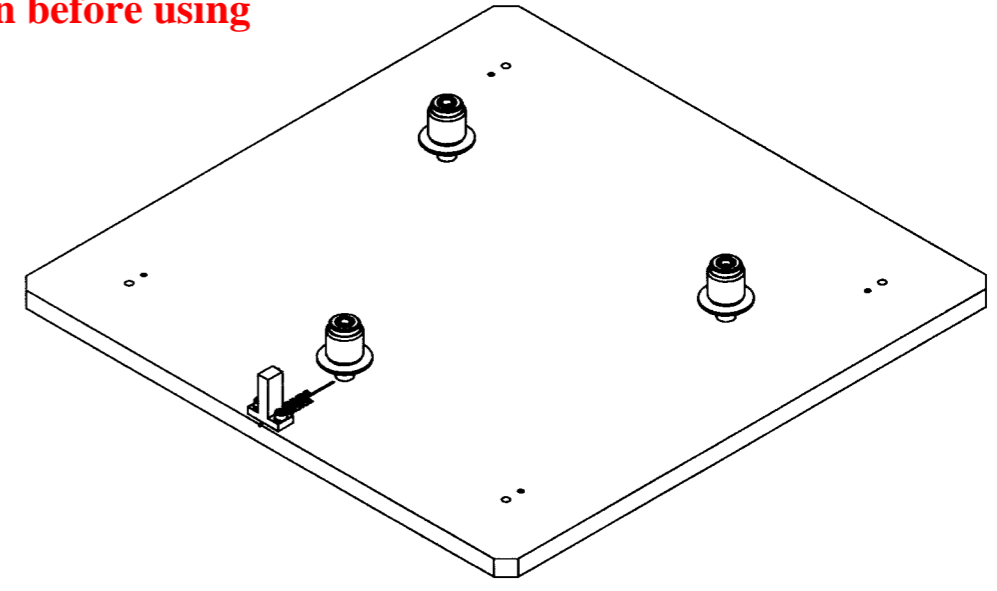
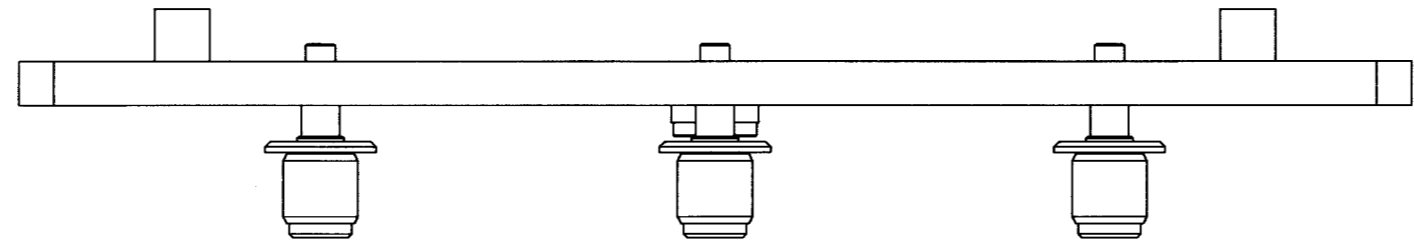
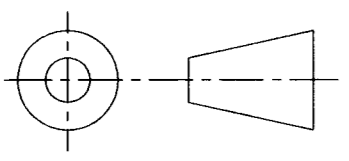
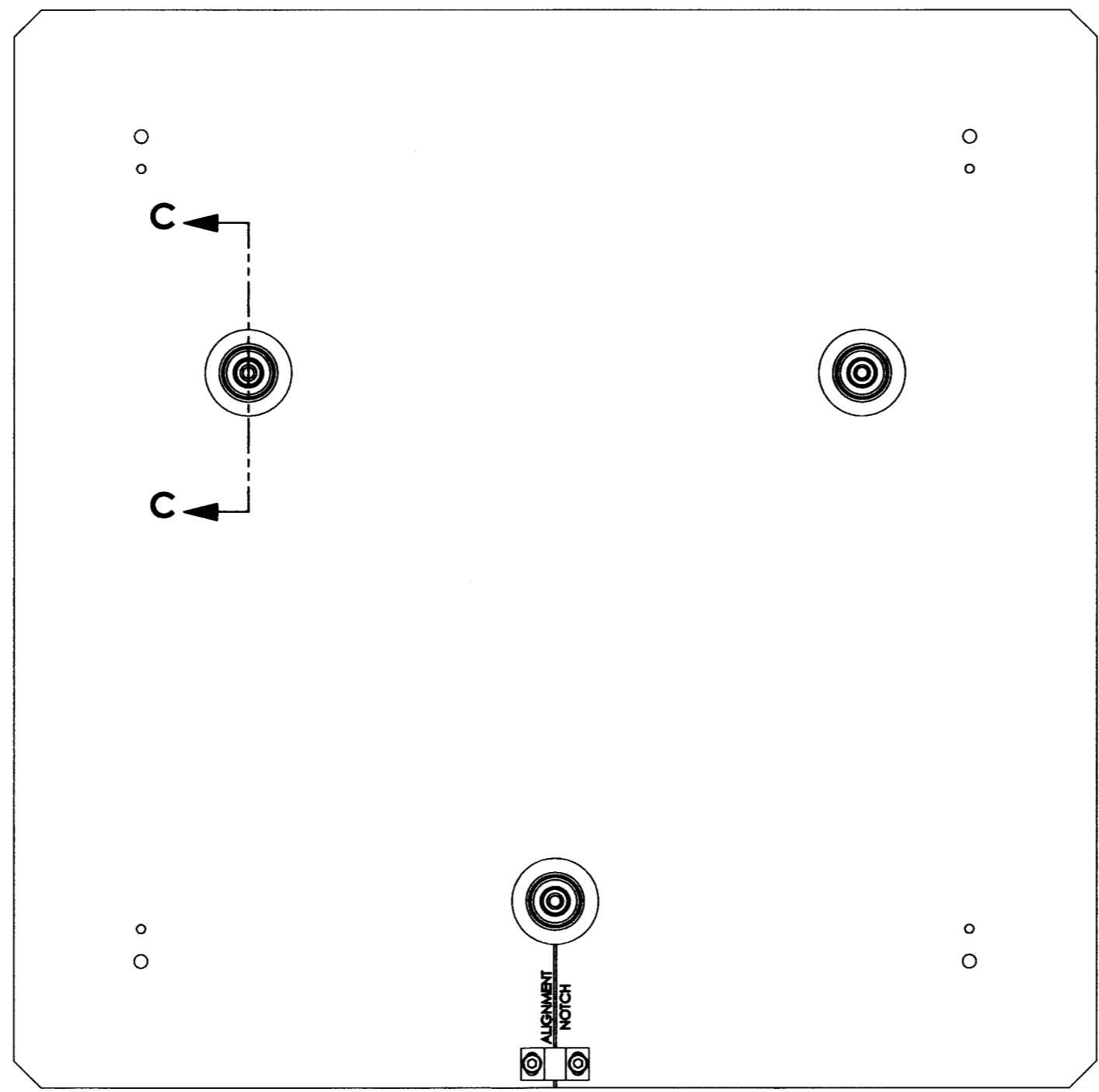


DRAWING NO. <b>ASY-5916</b>	REVISION <b>REL-02</b>
PROJECT CODE: <b>LICK-51</b>	

**Controlled Document**  
**Confirm revision before using**



**SECTION C-C**  
**SCALE 1 : 1**  
**ASSEMBLE AS SHOWN**  
**3 PLACES**



**DO NOT SCALE DRAWING**  
**DIMENSIONS IN MILLIMETERS**

**COPYRIGHT**  
THIS DOCUMENT & ENCLOSED PROPRIETARY INFORMATION REMAINS THE PROPERTY OF EOS TECHNOLOGIES, INC. THE INTELLECTUAL PROPERTY AND INFORMATION HEREIN MAY NOT BE COPIED NOR DISCLOSED WITHOUT WRITTEN CONSENT OF EOS TECHNOLOGIES, INC. MANAGEMENT

		<b>EOS TECHNOLOGIES, INC.</b> 3160 E. TRANSCON WAY, SUITE 180, TUCSON, AZ 85706 PH: (520) 624-6399	
<b>TITLE:</b> <b>M2 MIRROR ASSEMBLY</b>			
<b>DRAWING NO.</b> <b>ASY-5916</b>	<b>STATUS</b> Released	<b>REVISION</b> <b>REL-02</b>	<b>SHEET SIZE</b> <b>A2</b>
<b>SCALE:1:2</b>		<b>SHEET 2 OF 5</b>	