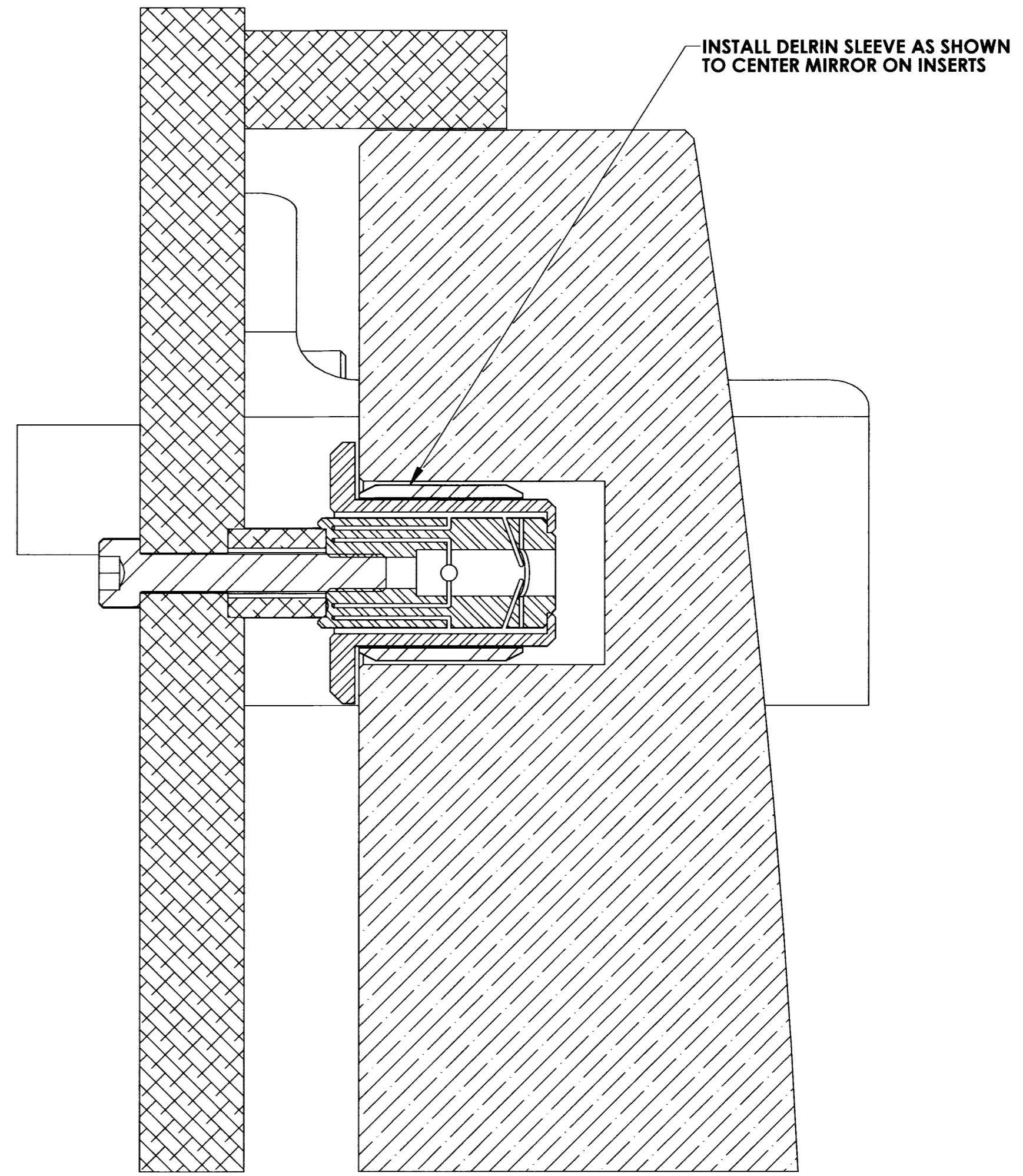
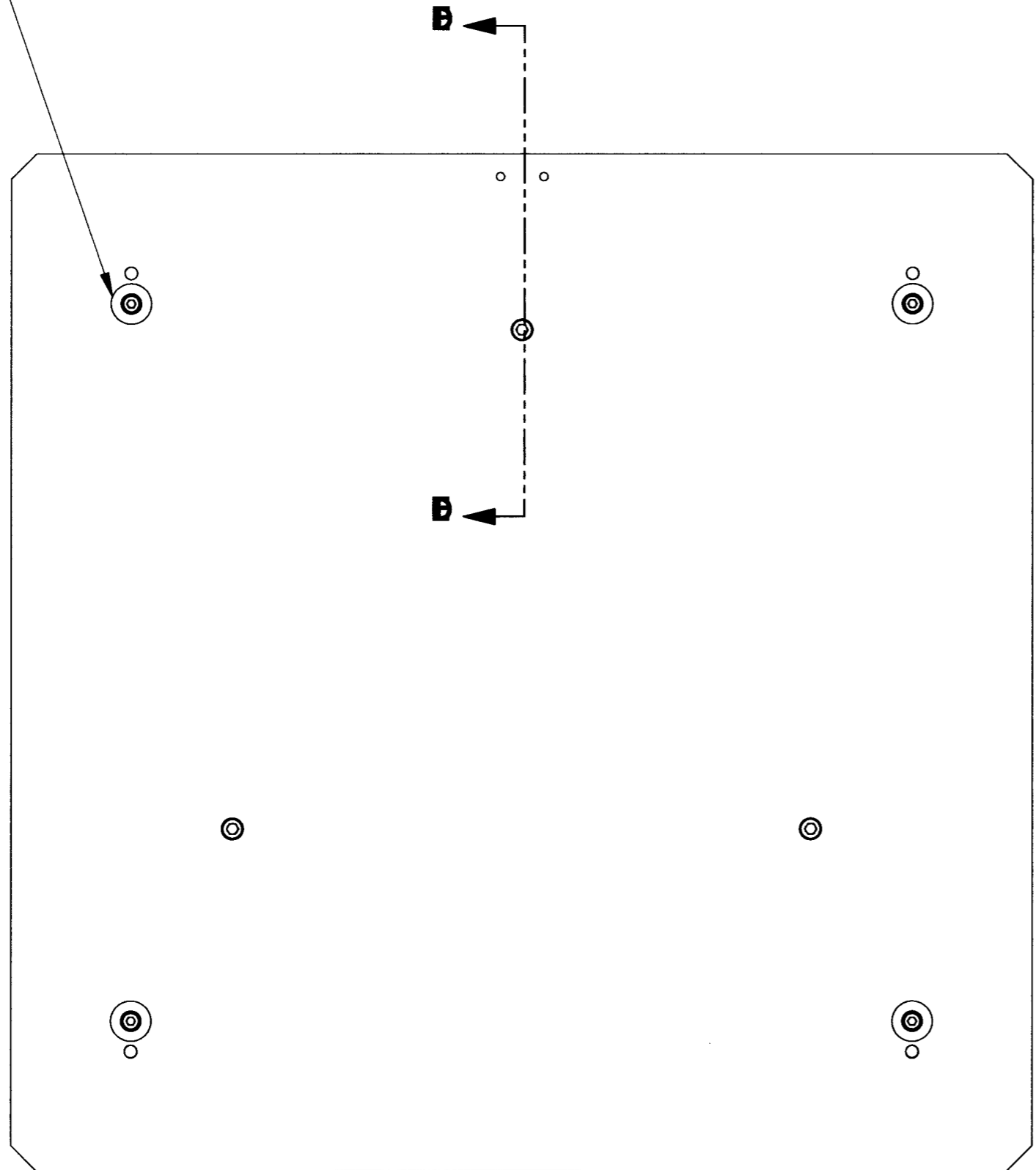


DRAWING NO. <b>ASY-5916</b>	REVISION <b>REL-02</b>
PROJECT CODE: <b>LICK-51</b>	

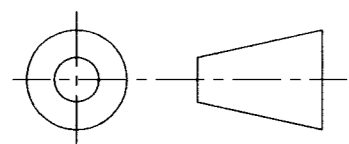
**Controlled Document**  
**Confirm revision before using**

SCREW FEET ONTO THE BOTTOM  
OF THE MIRROR FIXTURE PLATE  
AND SECURE WITH A VACUUM SAFE  
THREAD-LOCKING COMPOUND



INSTALL DELRIN SLEEVE AS SHOWN  
TO CENTER MIRROR ON INSERTS

SECTION E-E  
SCALE 2 : 1



**DO NOT SCALE DRAWING  
DIMENSIONS IN MILLIMETERS**

**COPYRIGHT**  
THIS DOCUMENT & ENCLOSED PROPRIETARY  
INFORMATION REMAINS THE PROPERTY OF EOS  
TECHNOLOGIES, INC. THE INTELLECTUAL PROPERTY  
AND INFORMATION HEREIN MAY NOT BE COPIED NOR  
DISCLOSED WITHOUT WRITTEN CONSENT OF  
EOS TECHNOLOGIES, INC. MANAGEMENT

**EOS TECHNOLOGIES, INC.**  
3160 E. TRANCON WAY, SUITE 180, TUCSON, AZ 85706 PH: (520) 624-6399

TITLE:  
**M2 MIRROR ASSEMBLY**

DRAWING NO. <b>ASY-5916</b>	STATUS <b>Released</b>	REVISION <b>REL-02</b>	SHEET SIZE <b>A2</b>
SCALE:1:2	SHEET 3 OF 5		