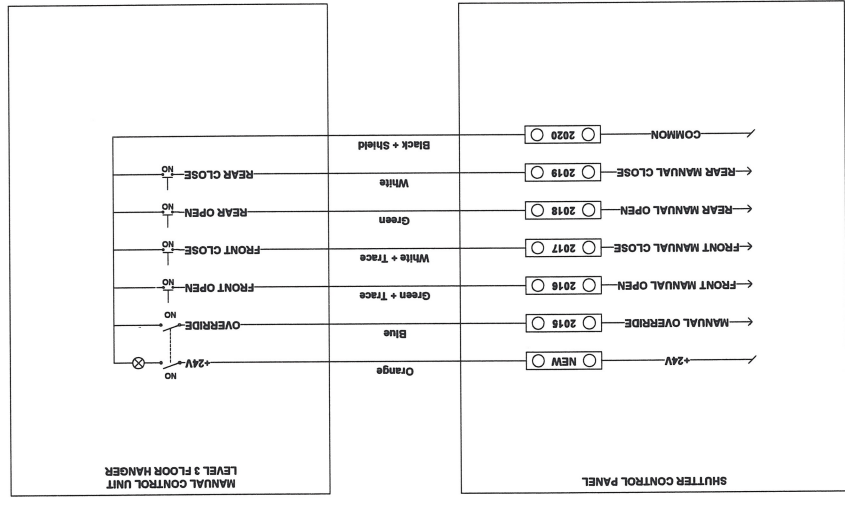



SCALE	NTS	SHEET	2 OF 2
APPROVED	DATE	26/10/06	
KCB	DATE	23 Oct 2006	
CHECKED	DATE	23 Oct 2006	
DRAWN BY	DATE	23 Oct 2006	
KEITH BATES 111 Canberra Ave Griffith, ACT AUSTRALIA EOS SPACE SYSTEMS		Lick Control System - Wiring Diagram SHUTTER CONTROL PANEL MANUAL CONTROL UNIT DRAWING NUMBER WD-500918-01 - As Built SIZE A1	

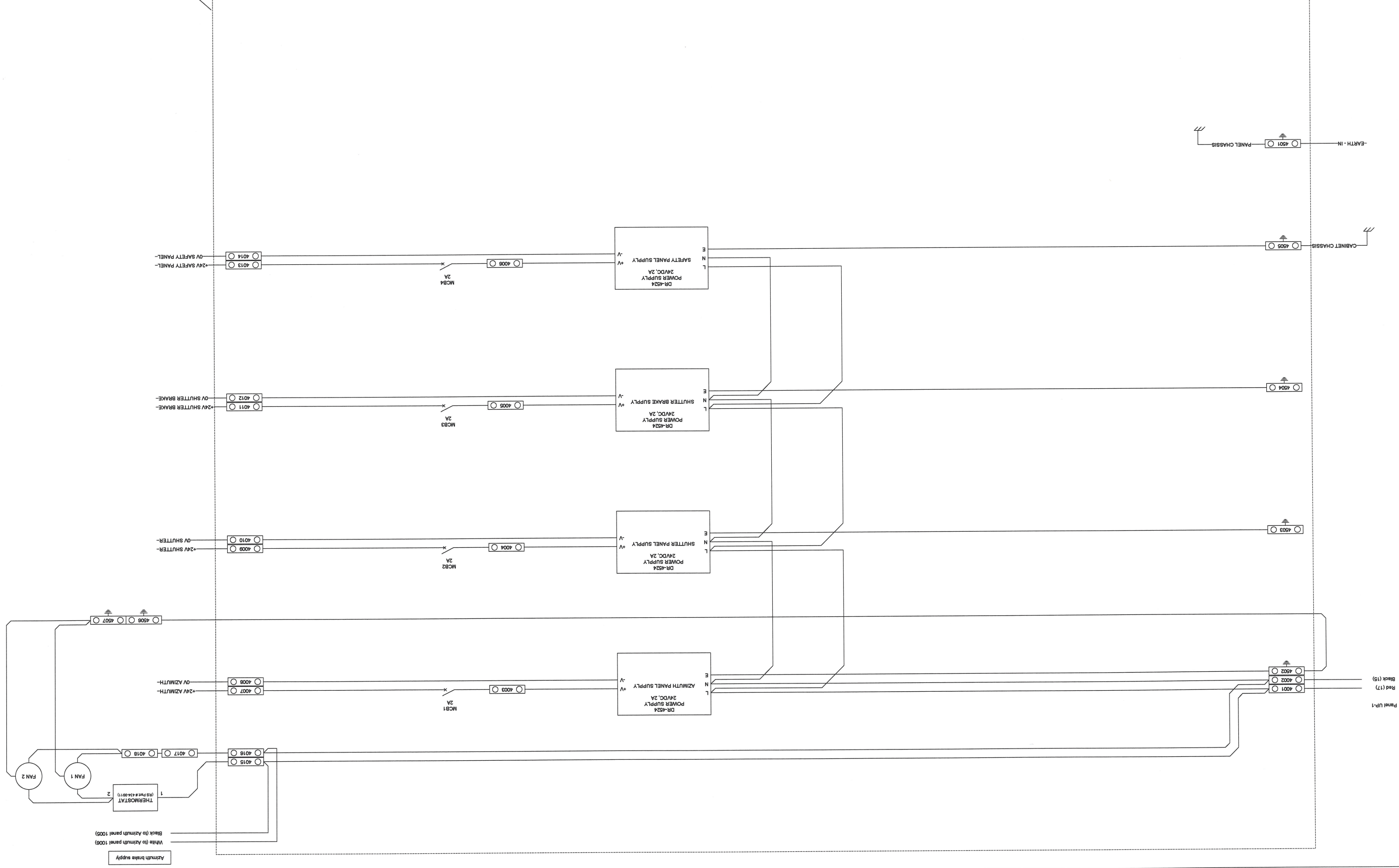
FULL PLUMBING PROJECTS LICK APF ENSURE CONTROL ELECTRICALS BUILT ELECTRICAL DRAWINGS WDW-500918-01 LICK SHUTTER CONTROL PANEL AS BUILT YSD



1 OF 1	SHEET	NTS	SCALE
A1	DRAWING NUMBER	WD-500920-01 As Built	
	DATE	24 Oct 2008	
	CHECKED	JEFF BROWN	
	DATE		
	DESIGNED BY		
EOS Space Systems 111 Canberra Ave Griffin, ACT AUSTRALIA 		Lick Control System - Wiring Diagram POWER DISTRIBUTION PANEL	

to file 26/10/08

Dotted line represents Control Panel
Cables crossing dotted line connect to external devices

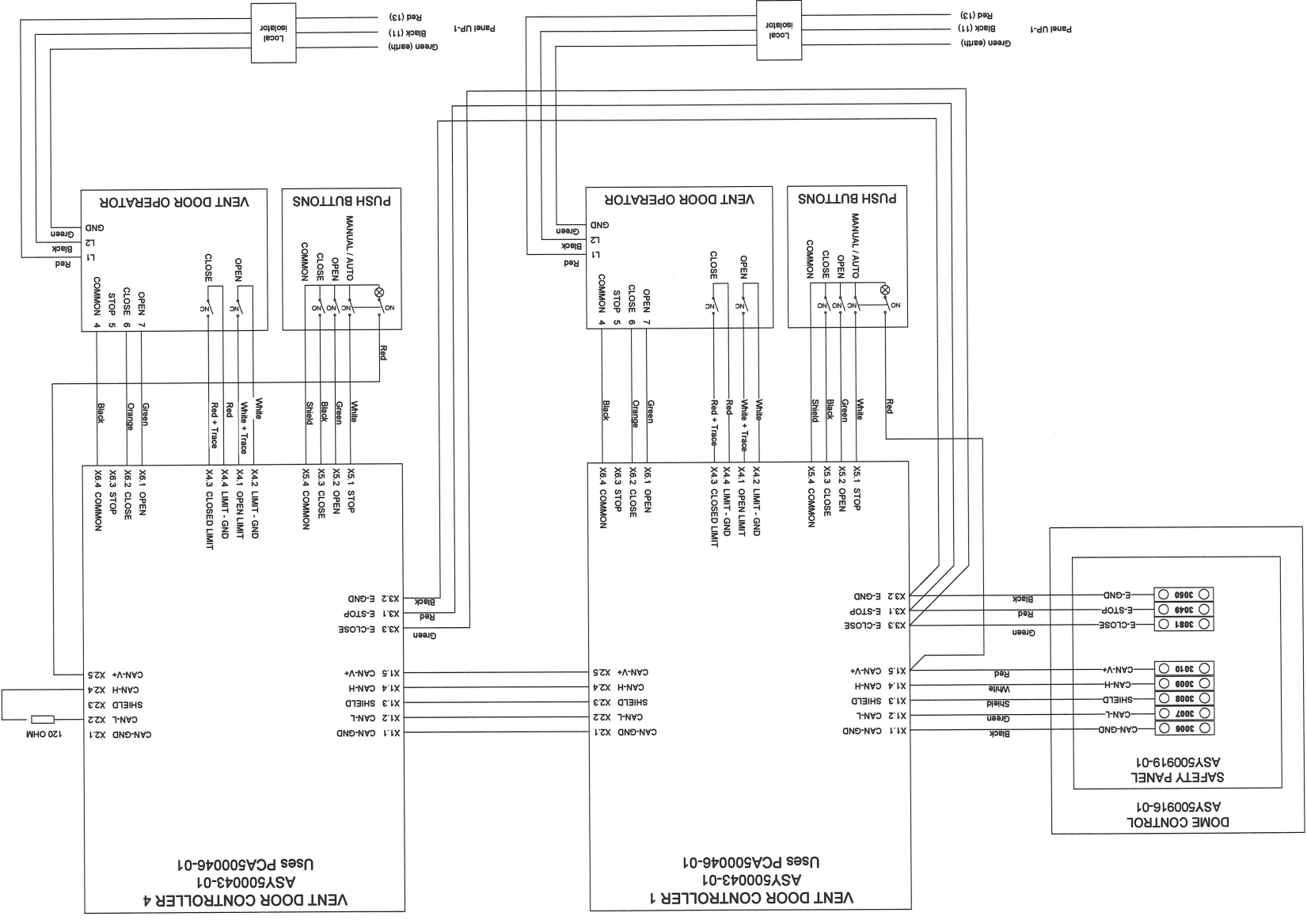


White (to Azimuth panel 1005)
Black (to Azimuth panel 1005)

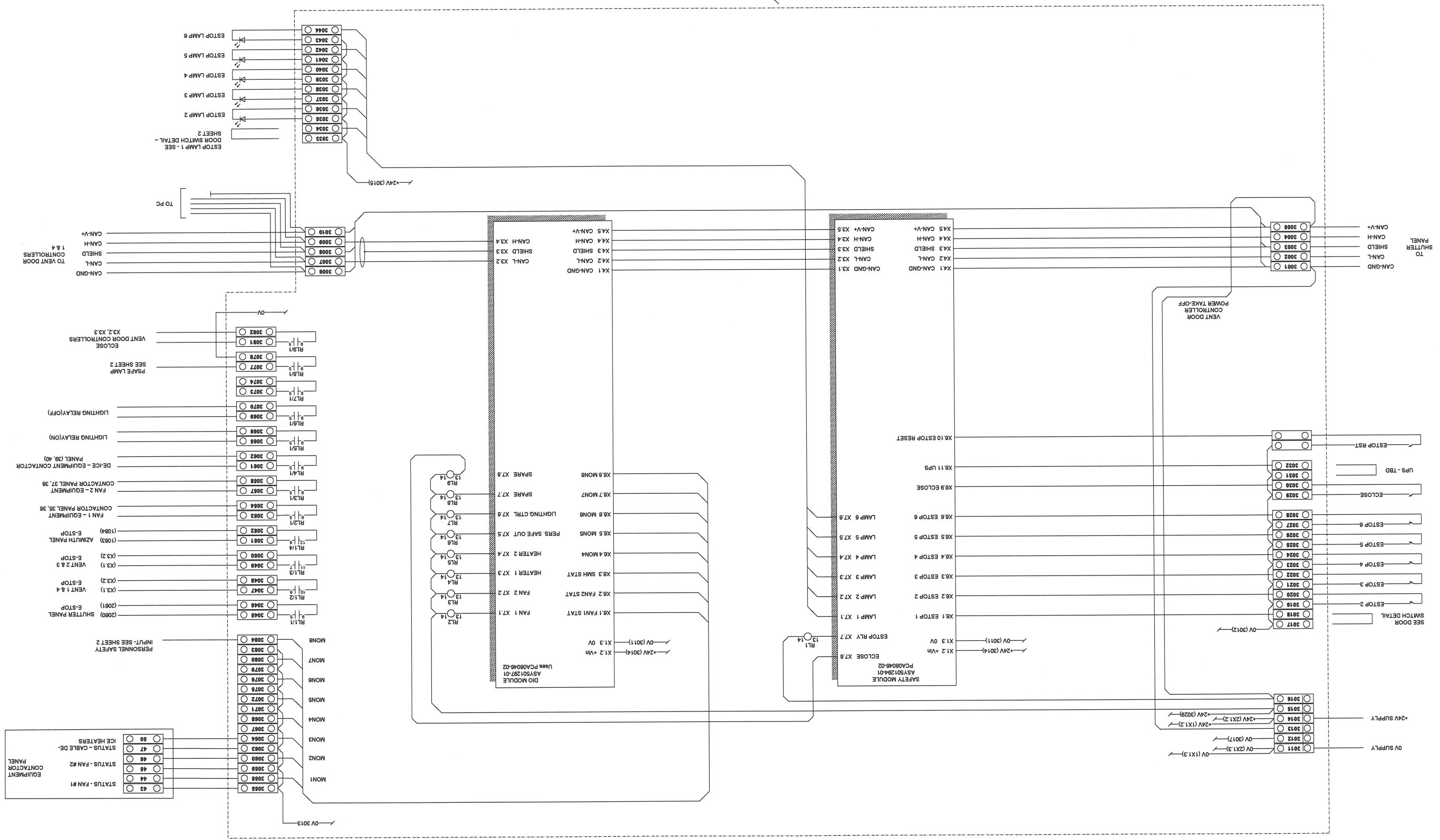
Azimuth brake supply


DATE	JEFF BROWN	111 Canberra Ave Griffith, ACT AUSTRALIA	EOS SPACE SYSTEMS
DATE	CHECKED	VENT Control System - Wiring Diagram	
DATE	KB	VENT DOOR CONTROLLERS 1 & 4	
DATE	APPROVED	WD-501304-01 As Built	SCALE
			1 OF 1

25/10/06



Dotted line represents Control Panel
 Cables crossing dotted line connect to external devices



SCALE	NTS	SHEET	2 OF 2
APPROVED	 DATE: 26/10/08		
DATE	24 Oct 2008	DRAWING NUMBER	WD-500919-02 As Built
DATE	24 Oct 2008	SIZE	A1
CHECKED	Lick Control System - Wiring Diagram ESTOP/CLOSE/SAFE ENTRY SWITCHBANK - AS INSTALLED		
DATE	24 Oct 2008	DESIGNED BY	JEFF BROWN
DATE		COMPANY	EOS Space Systems 111 Canberra Ave Ginninderra, ACT AUSTRALIA 