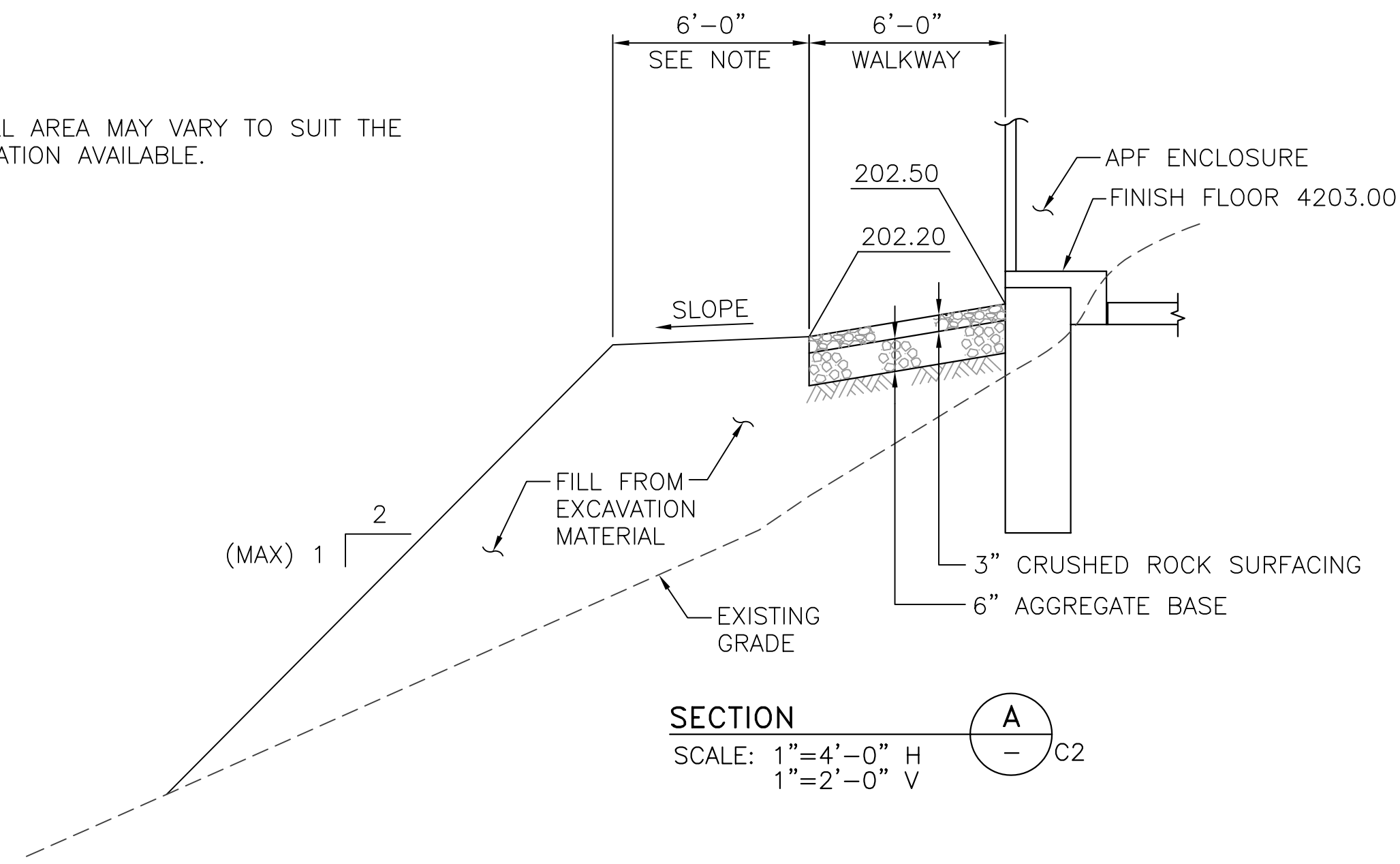
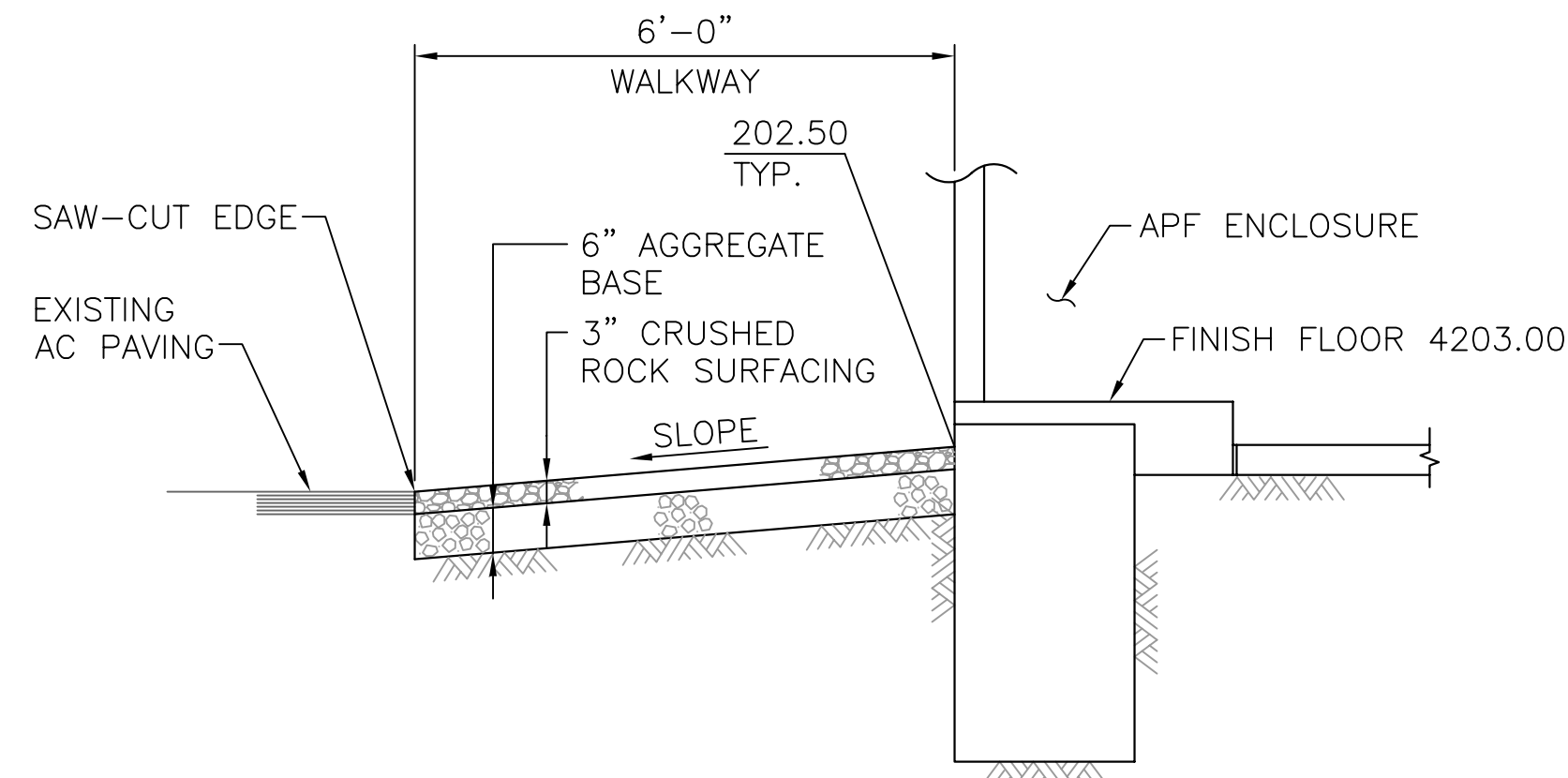


NOTE:

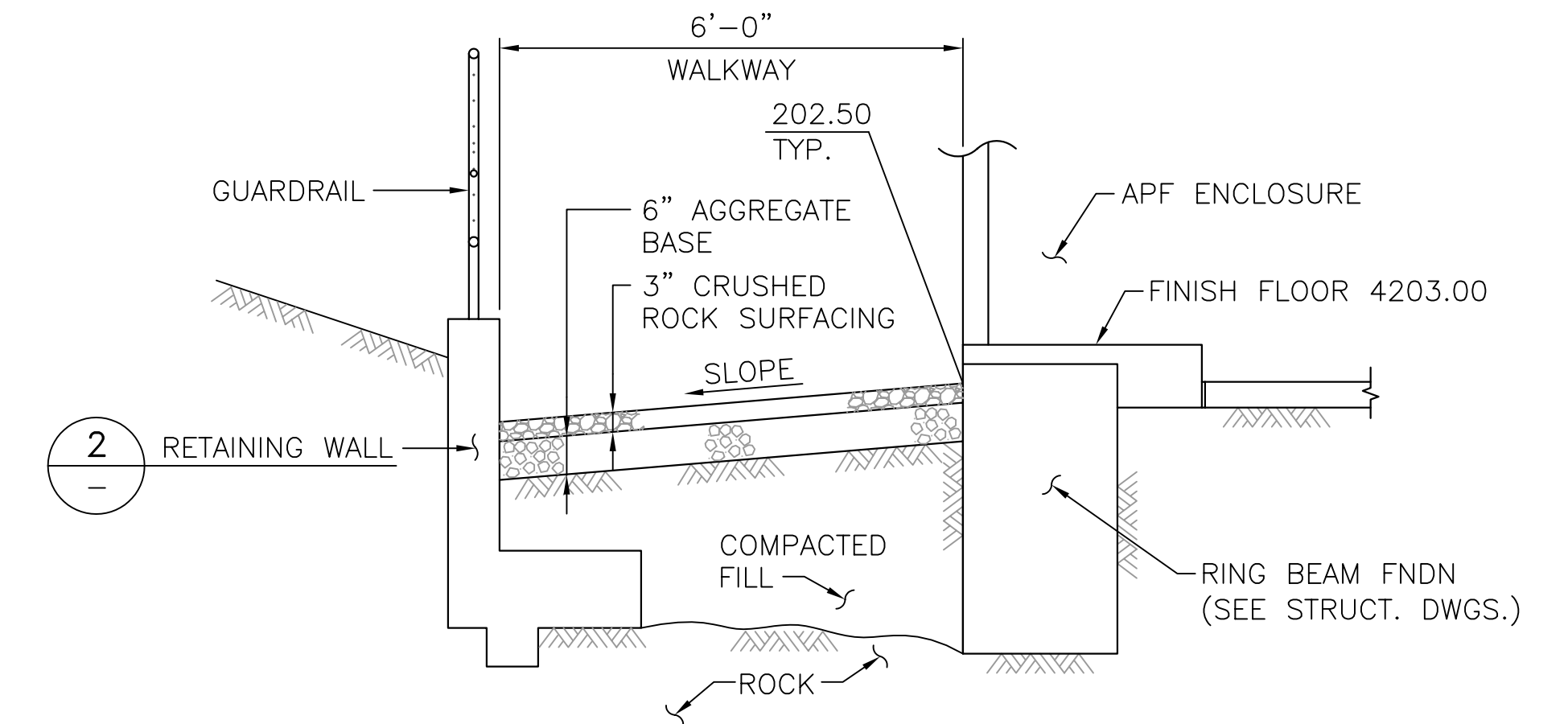
DIMENSIONS OF FILL AREA MAY VARY TO SUIT THE VOLUME OF EXCAVATION AVAILABLE.



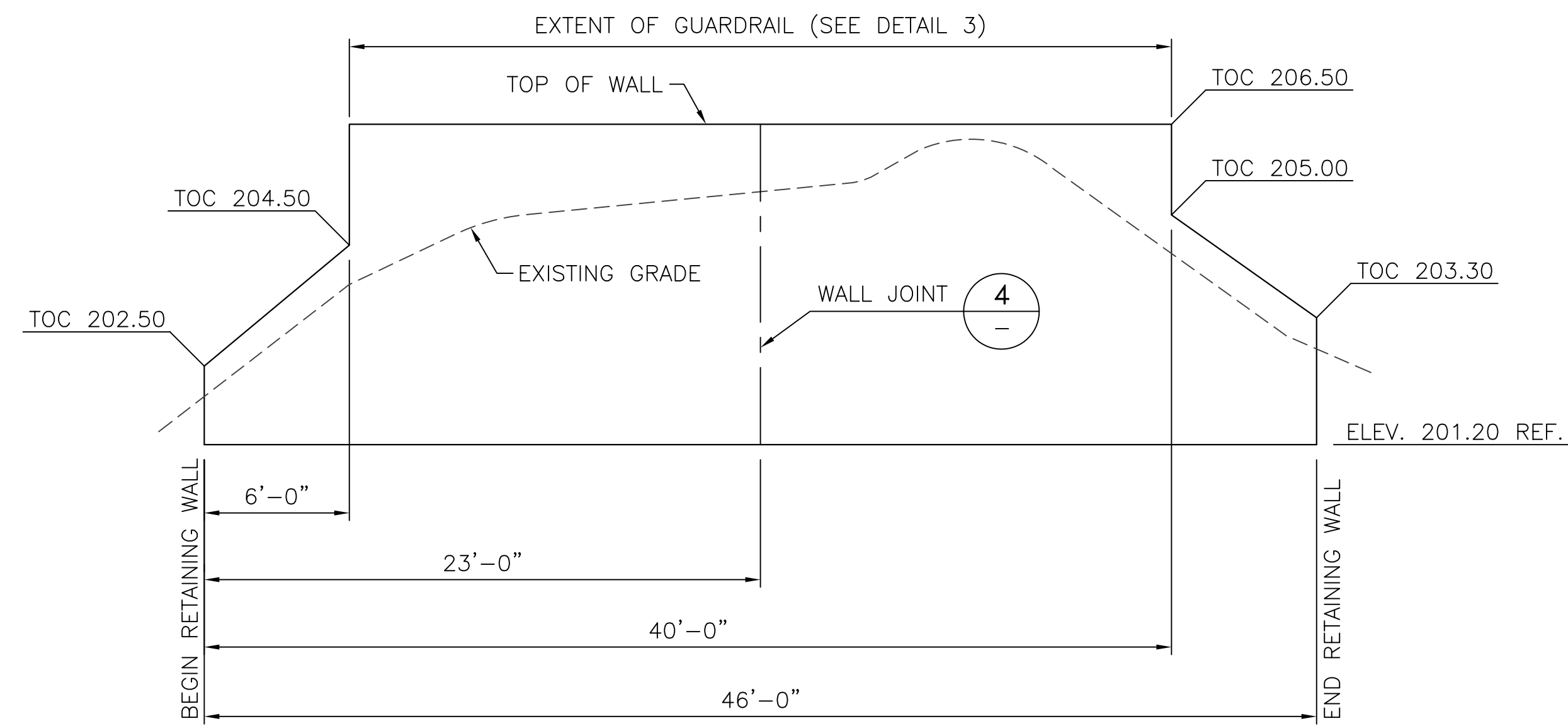
SECTION A
SCALE: 1"=4'-0" H
1"=2'-0" V



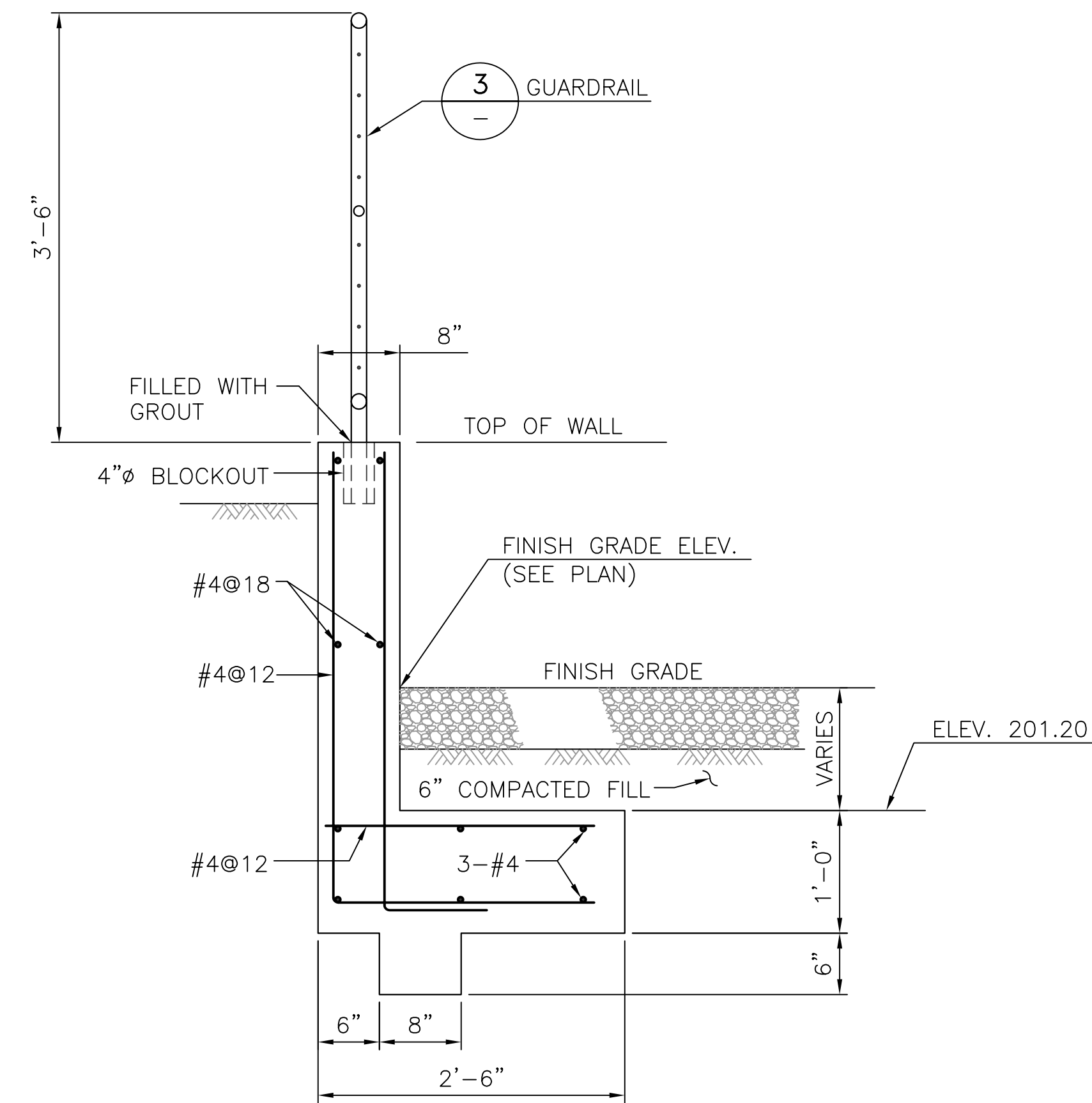
SECTION B
SCALE: 1"=2'-0"



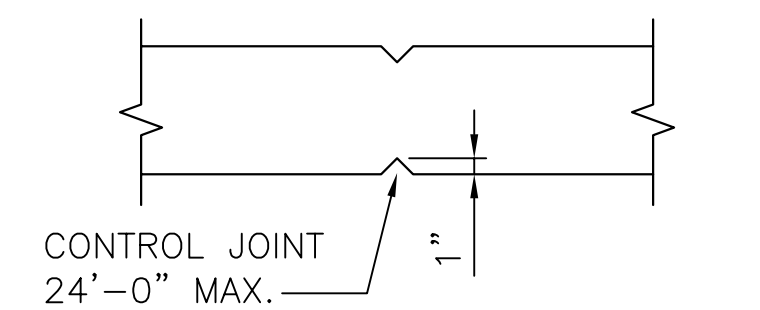
SECTION C
SCALE: 1"=2'-0"



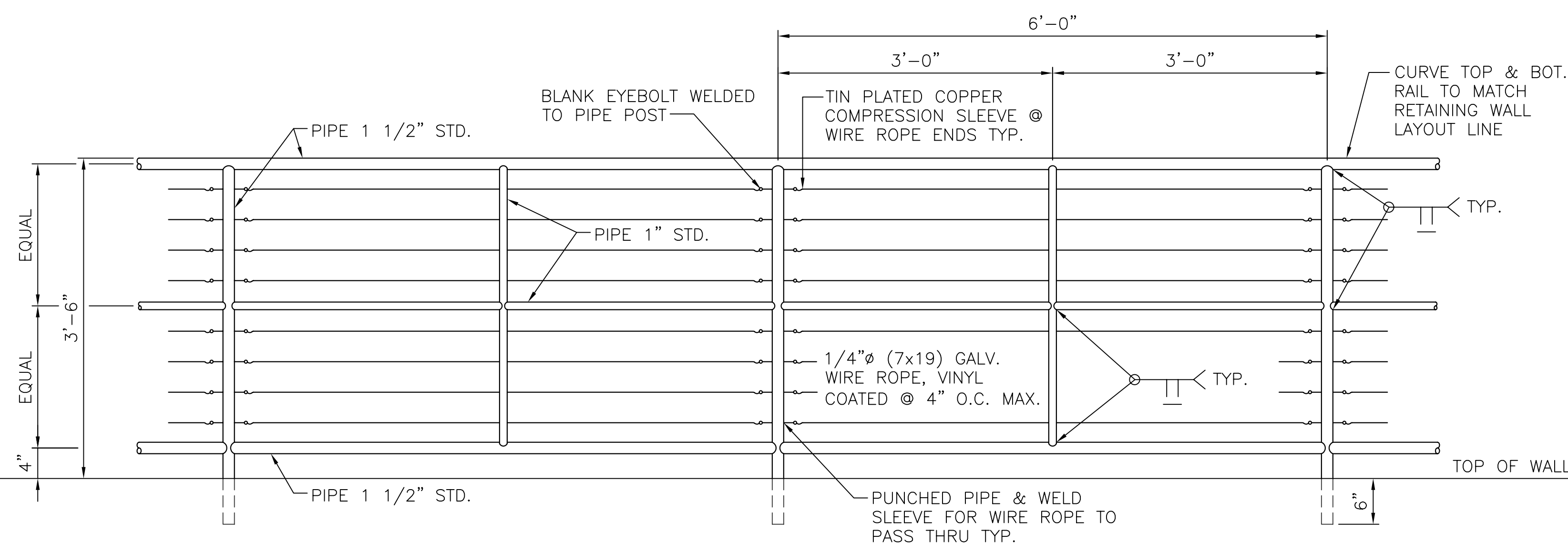
RETAINING WALL PROFILE
DETAIL 1
SCALE: 1"=5'-0" H
1"=2'-0" V



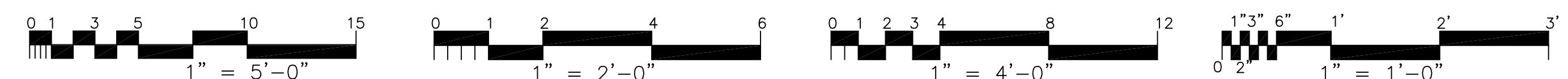
DETAIL 2
SCALE: 1"=1'-0"



WALL JOINT DETAIL 4
SCALE: 1"=1'-0"



GUARD RAIL DETAIL 3
SCALE: 1"=1'-0"



2101 Webster St., Suite 1000
Oakland, CA 94612
Phone: (510)419-6000
Fax: (510)419-5355

UNIVERSITY OF CALIFORNIA
PHYSICAL PLANNING AND CONSTRUCTION
SANTA CRUZ CAMPUS SANTA CRUZ, CALIFORNIA

DESIGNED: M. PHILLIPS
DRAWN: B. PEREZ
CHECKED:

APPROVED:

LOCATION: MOUNT HAMILTON UCO/LICK
SHEET TITLE: AUTOMATED PLANET FINDER SITE WORK BUILDING OR PROJECT

FILE NO.: 6639
DATE: 02/22/05
SHEET: C3 OF