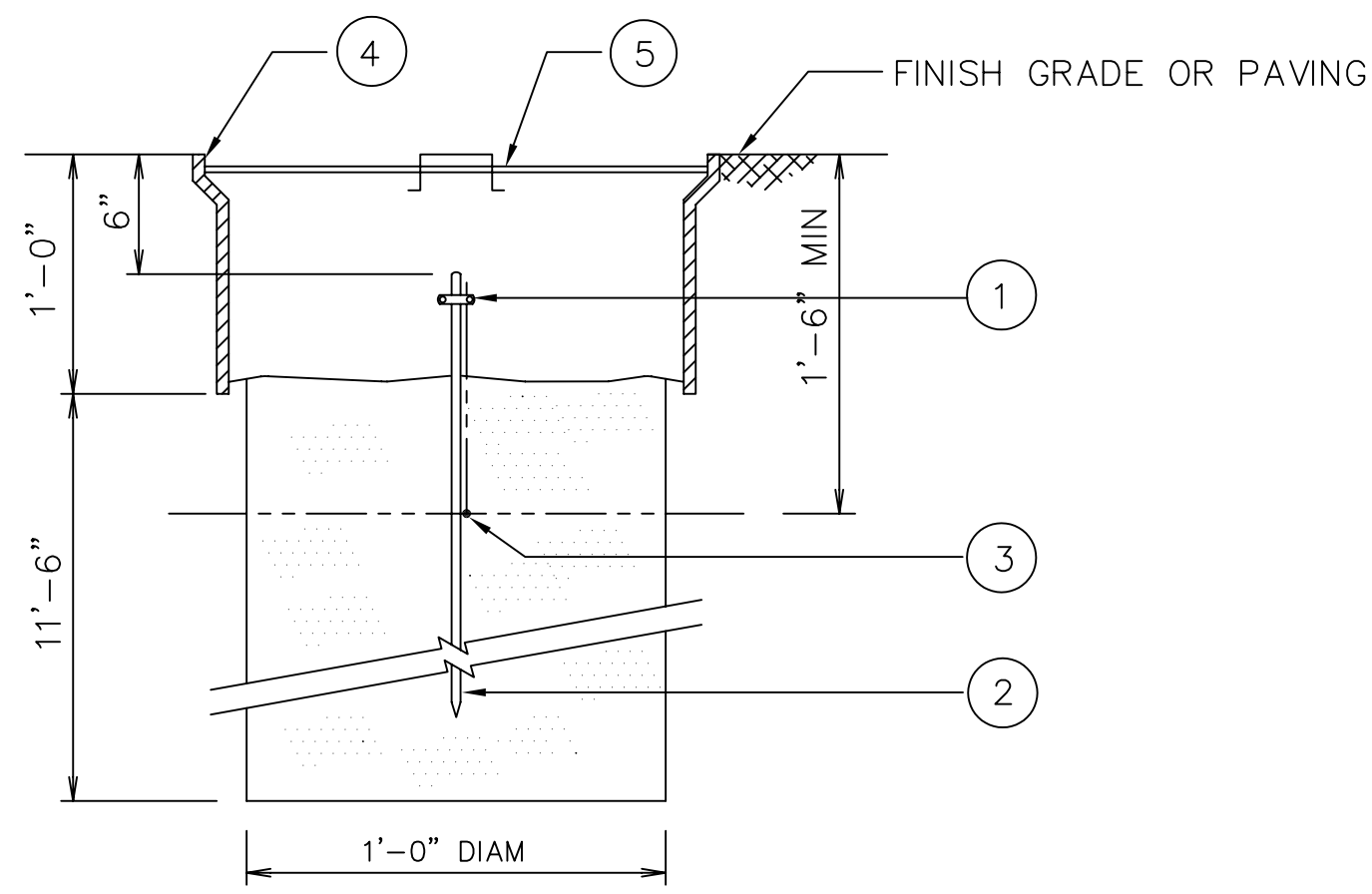


ITEM	DESCRIPTION
1	CONNECTOR, CADWELD TYPE GT TO GROUND ROD OR APPROVED EQUAL
2	COPPERWELD GROUND ROD, 3/4" DIA x 10'-0" OR APPROVED EQUAL
3	EXOTHERMIC CONNECTION, CADWELD TYPE TA OR APPROVED EQUAL

GROUND ROD INSTALLATION

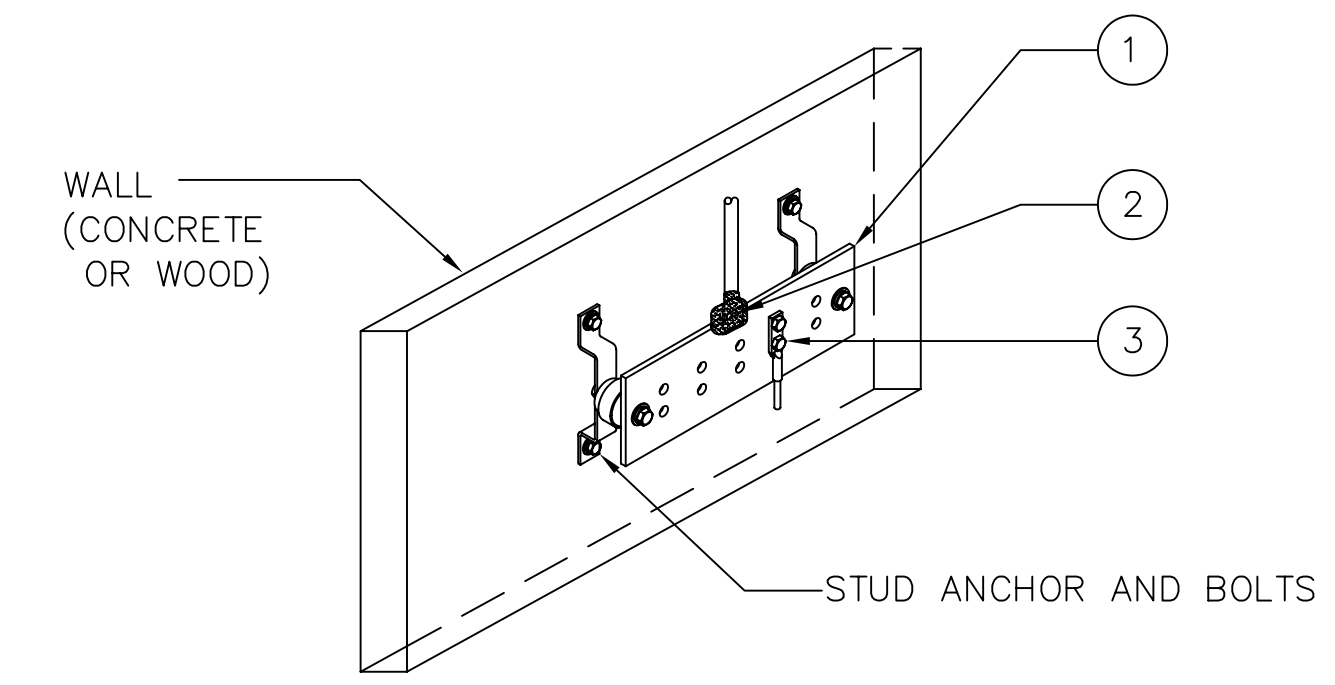
1
E9 | E11
DETAIL
N.T.S.



ITEM	DESCRIPTION
1	CONNECTOR, #2/0-250kCMIL CONDUCTOR RANGE BURNDY CAT. GAR6429 OR APPROVED EQUAL
2	COPPERWELD GROUND ROD, 3/4" DIA x 10'-0" OR APPROVED EQUAL
3	EXOTHERMIC CONNECTION, CADWELD TYPE TA OR APPROVED EQUAL
4	1'-0" DIA CLAY PIPE x 1'-0" LONG
5	1/4" STEEL PLATE COVER W/RETRACTABLE BAIL HANDLE

GROUND WELL INSTALLATION

2
E9 | E11
DETAIL
N.T.S.



ITEM	DESCRIPTION
1	GROUND BAR W/WALL MOUNTING BRACKETS AND INSULATORS HARGER TYPE GBI SERIES "GBI14412BT OR APPROVED EQUAL
2	CABLE TO BUS BAR, CADWELD TYPE LJ "LJC-EG2C OR APPROVED EQUAL
3	TWO HOLE LONG BARREL COMPRESSION LUG HARGER TYPE GBI SERIES "GBI14412BT OR APPROVED EQUAL

WALL MOUNTED GROUND PLATE

3
E9 | E11
DETAIL
N.T.S.