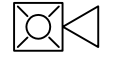


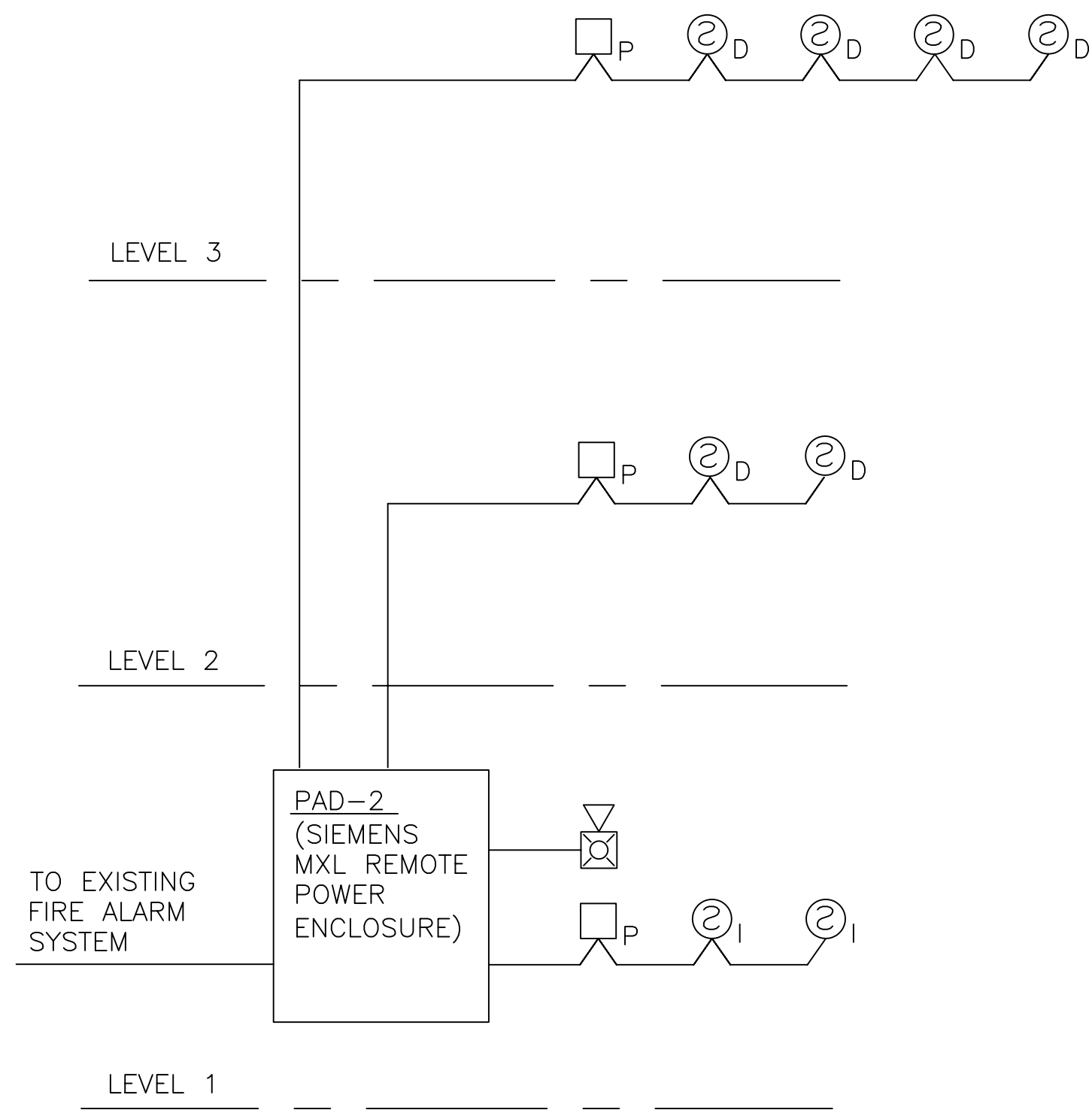


FIRE DETECTION AND ALARM SYSTEM NOTES

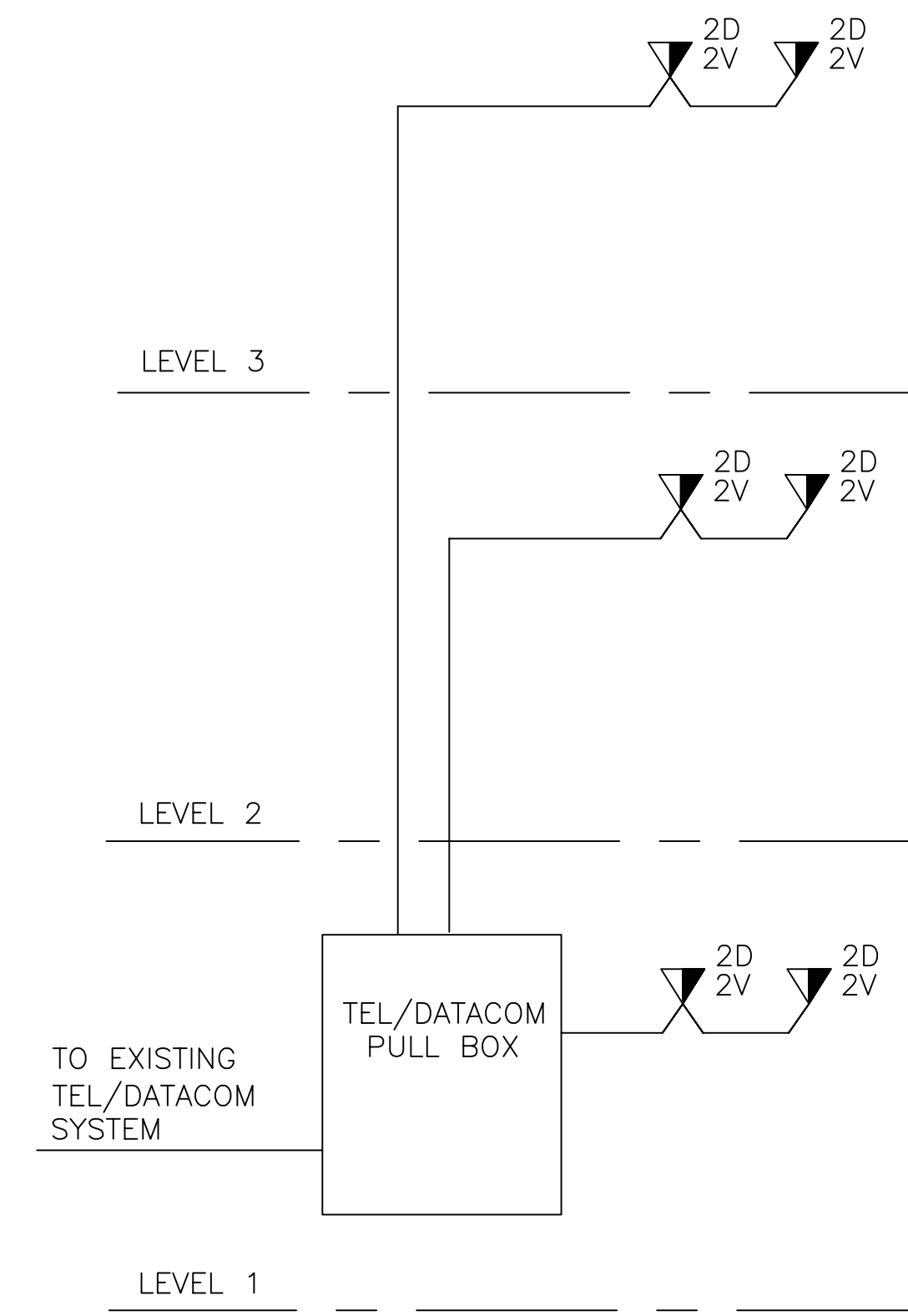
1. DESIGN IS PERFORMANCE BASED FOR GUIDANCE. CONTRACTOR IS RESPONSIBLE FOR FINAL DESIGN.
2. ALL WIRING SHALL CONFORM TO THE APPLICABLE PROVISIONS OF THE LATEST EDITION OF NATIONAL ELECTRICAL CODE, LOCAL ORDINANCES, STATE AND COUNTY CODES.
3. MOUNTING HEIGHTS FROM FLOOR OR PLATFORM TO CENTERLINE UNLESS OTHERWISE INDICATED:
 PULL STATIONS - 48"
 HORNS/STROBES - 80" TO 96"
4. ALL FIRE ALARM SYSTEM WORK SHALL COMPLY WITH NFPA 72 AND IFC 2000.
5. AUDIBILITY REQUIREMENTS SHALL BE ACCORDANCE WITH NFPA 72.
6. PROVIDE FIRESTOPPING FOR ALL PENETRATIONS THROUGH FLOORS AND RATED WALLS.
7. FURNISH AND INSTALL FIRE DETECTION MODULES, DETECTORS AND REMOTE POWER ENCLOSURE COMPATIBLE WITH EXISTING FIRE PROTECTION SYSTEM. (SIEMENS - MXL FIRE PROTECTION SYSTEM)

LEGEND & SYMBOLS:

-  HORN-STROBE
-  HEAT DETECTOR
-  SMOKE DETECTOR, IONIZATION



FIRE ALARM RISER DIAGRAM

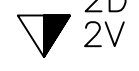


TEL/DATACOM RISER DIAGRAM

NOTES:

1. ALL WIRING SHALL CONFORM TO THE APPLICABLE PROVISIONS OF THE LATEST EDITION OF TELECOMMUNICATIONS INDUSTRY ASSOCIATION/ELECTRONIC INDUSTRIES ALLIANCE (TIA/EIA), LOCAL ORDINANCES, STATE AND COUNTY CODES.
2. OUTLET MOUNTING HEIGHTS TO CENTERLINE OF DATA/VOICE 18" ABOVE FINISH FLOOR.

LEGEND & SYMBOLS:

-  WALL MOUNTED COMBINATION DATA/VOICE OUTLET FOR TWO DATA AND TWO VOICE JACKS (SURFACE MOUNTED)

BUILDING FIRE ALARM SYSTEM SEQUENCE OF OPERATIONS							
SYSTEM INPUT	SYSTEM OUTPUT	FIRE ALARM TERMINAL CABINET			SIGNAL TO EXISTING FACP		EVAC. SIGNAL
		AUDIO VISUAL FIRE ALARM INDICATION	AUDIO VISUAL TROUBLE INDICATION	AUDIO VISUAL COMMON TROUBLE INDICATION	COMMON TROUBLE SIGNAL	COMMON ALARM SIGNAL	FACILITY FIRE EVACUATION AUDIO-VISUAL SIGNAL
		A	B	C	D	E	G
ACTIVATION OF MANUAL PULL STATION	1	X				X	X
ACTIVATION OF SMOKE DETECTOR	2	X				X	X
ACTIVATION OF HEAT DETECTOR	3	X				X	X
FACP-1 LOW BATTERY VOLTAGE	4			X	X		
FACP-1 CIRCUIT FAULT	5		X	X	X		
FACP-1 SUPERVISED COMPONENT FAILURE	6			X	X		
FACP-1 AC POWER FAULT	7			X	X		