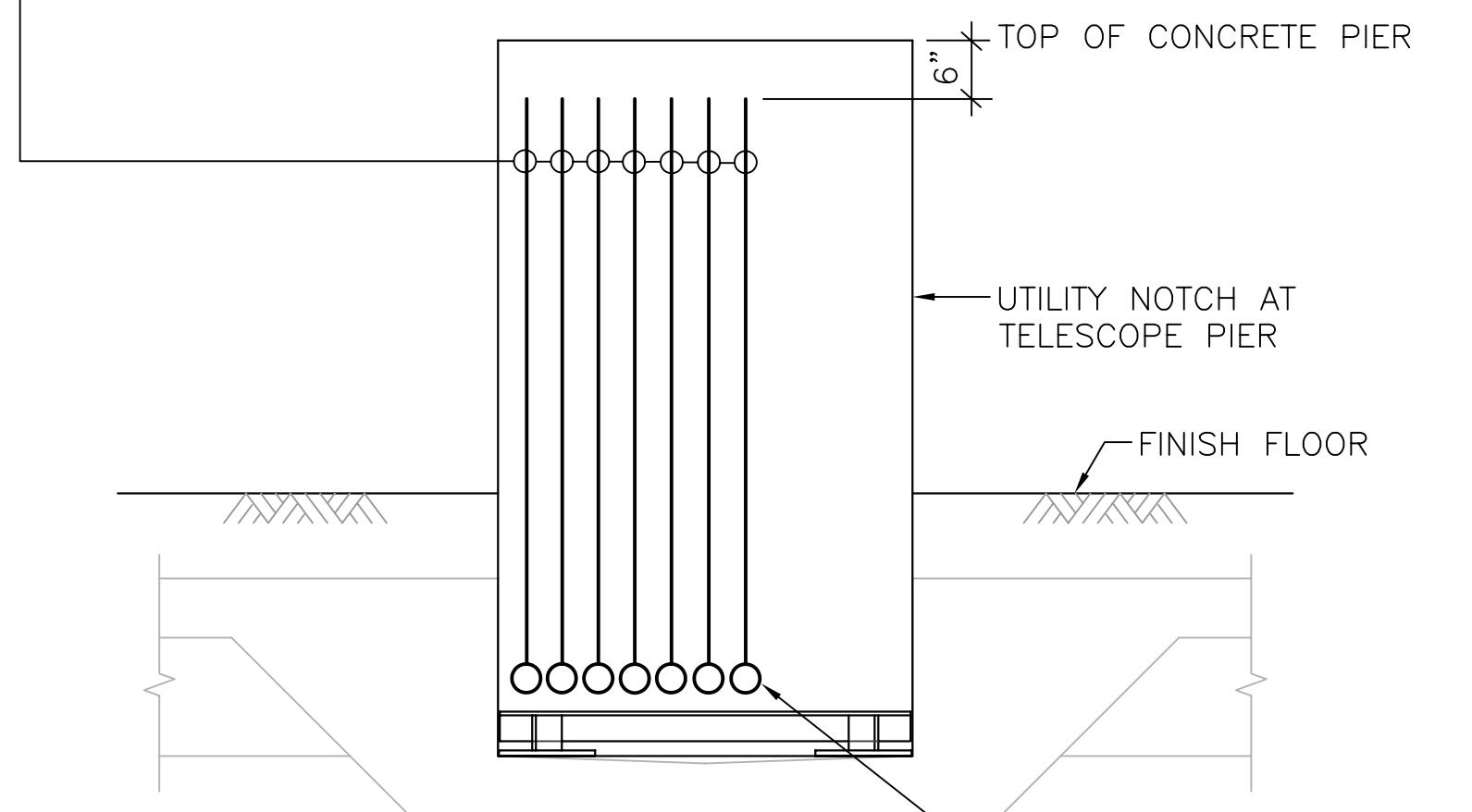


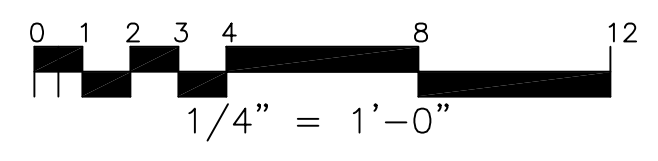
TO CABLE WRAP ENTRY  
LEFT TO RIGHT (NOTE 3)  
 1" C, 3/C#20 (LTG SW), 2-#12+1#12GRD  
 2" C, 3/C#2/0(MPD-1 POWER FED)  
 1" C, 7/C#14(CHILLER CONTROL CABLE)  
 1" C, (TEL/DATACOM CABLE)  
 1" C, (FIBER OPTIC CABLE)  
 1" C, (FA CABLE)  
 1" PVC, #2/0 BCW (EQPT GRD)



SECTION A-A  
SCALE: NTS

**NOTES:**

1. PROVIDE UNDERGROUND DUCT BANK PVC CONDUITS WITH PVC TO GRS CONDUIT COUPLER, WHEN CONDUITS ARE GOING ABOVE GROUND ROUTING. ALL ABOVE GROUND CONDUIT ROUTING SHALL BE GALVANIZED RIGID STEEL (GRS) UNLESS OTHERWISE NOTED.
2. RUN ALL ELECTRICAL CONDUITS ABOVE UTILITY PIPES WHEN USING AND RUNNING AT THE SAME PIPE SUPPORT.
3. STOP ALL CONDUITS RUN 6" BELOW THE TOP OF TELESCOPE CONCRETE PIER AND TERMINATE WITH INSULATING BUSHINGS, CONTINUE ALL CABLES ROUTING THRU THE CABLE WRAP ENTRY FOR TERMINATIONS.
4. PROVIDED 1" PVC CONDUIT FOR #2/0 BCW EQUIPMENT GROUND CABLE FOR MECHANICAL PROTECTION.
5. ALL POWER, FA, TEL/DATACOM, AND CONTROL CONDUIT LAYOUT ARE SHOWN DIAGRAMMATICALLY AND MAY ALTERED IN FIELD TO SUIT MECHANICAL AND STRUCTURAL CONDITIONS.



DESIGNED APPROVED LOCATION SHEET TITLE

<p><b>EarthTech</b> A Tyco International Ltd. Company</p>	<p>2101 Webster St., Suite 1000 Oakland, CA 94612 Phone: (510)419-6000 Fax : (510)419-5355</p>	<p><b>UNIVERSITY OF CALIFORNIA</b> PHYSICAL PLANNING AND CONSTRUCTION SANTA CRUZ CAMPUS SANTA CRUZ, CALIFORNIA</p>		<p>FILE NO. 6639</p>	<p>SHEET E4</p>
		<p>DRAWN</p>	<p>CHECKED</p>	<p>SCALE AS SHOWN</p>	<p>DATE 02/14/05</p>