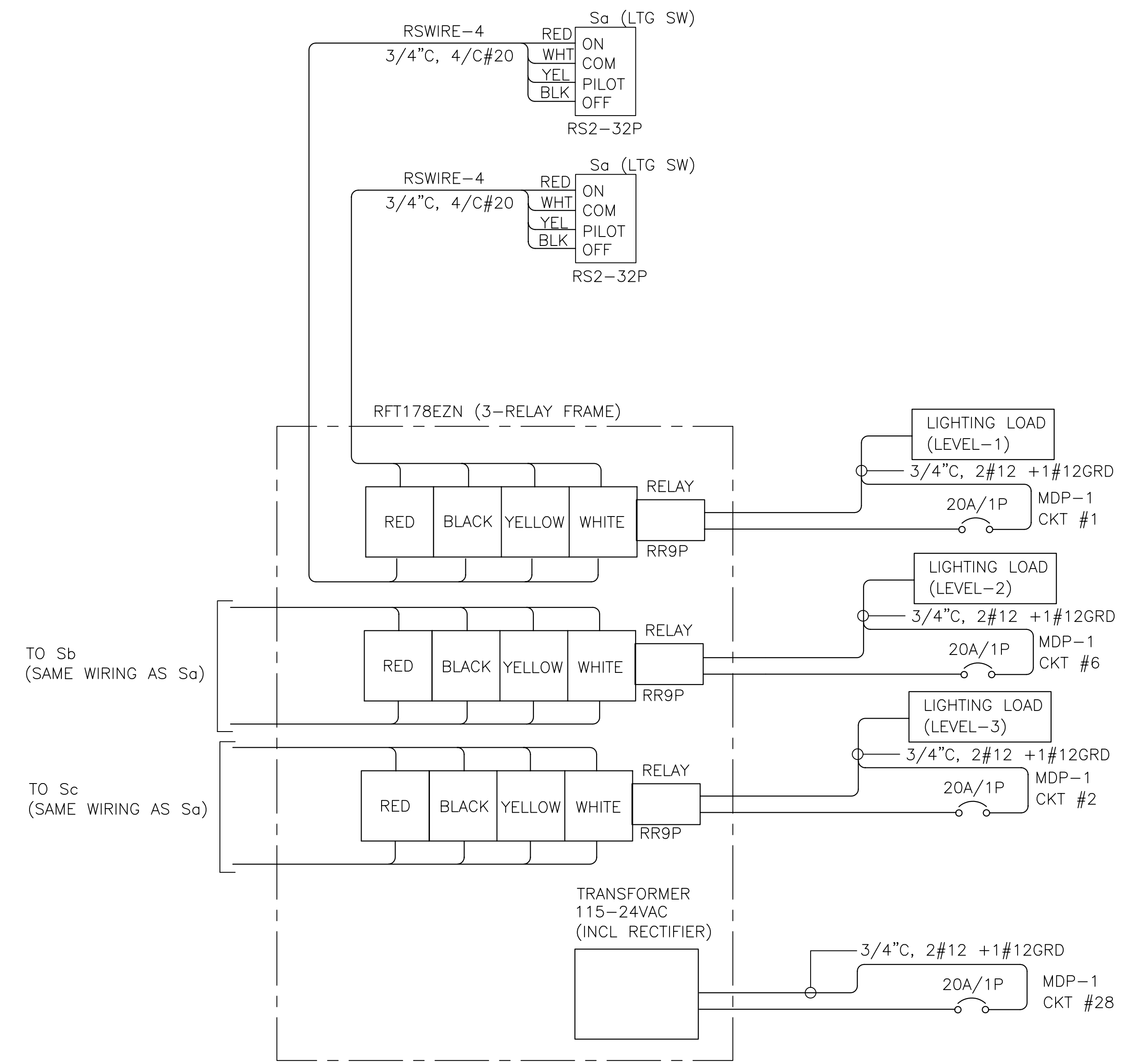
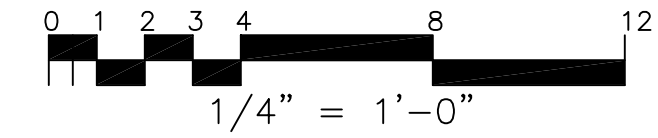


LEVEL 3



24V CONTROL LIGHTING SYSTEM  
BLOCK DIAGRAM

- NOTE:**
1. FOR TYPE AND SYMBOLS, LIGHTING DETAILS AND LIGHTING FIXTURE SCHEDULES SEE DWG E10.
  2. FOR 24V CONTROL LIGHTING SYSTEM BLOCK DIAGRAM, SEE THIS DWG.



2101 Webster St., Suite 1000  
Oakland, CA 94612  
Phone: (510)419-6000  
Fax : (510)419-5355

**UNIVERSITY OF CALIFORNIA**  
PHYSICAL PLANNING AND CONSTRUCTION  
SANTA CRUZ CAMPUS SANTA CRUZ, CALIFORNIA

DESIGNED  
DRAWN  
CHECKED

APPROVED

LOCATION  
SCALE  
1/4"=1'-0"

SHEET TITLE  
APF LEVEL 3 LIGHTING PLAN  
MOUNT HAMILTON UCO/LICK  
AUTOMATED PLANET FINDER SITE WORK  
BUILDING OR PROJECT

FILE NO.  
6639  
DATE  
02/03/05  
SHEET  
E8  
OF