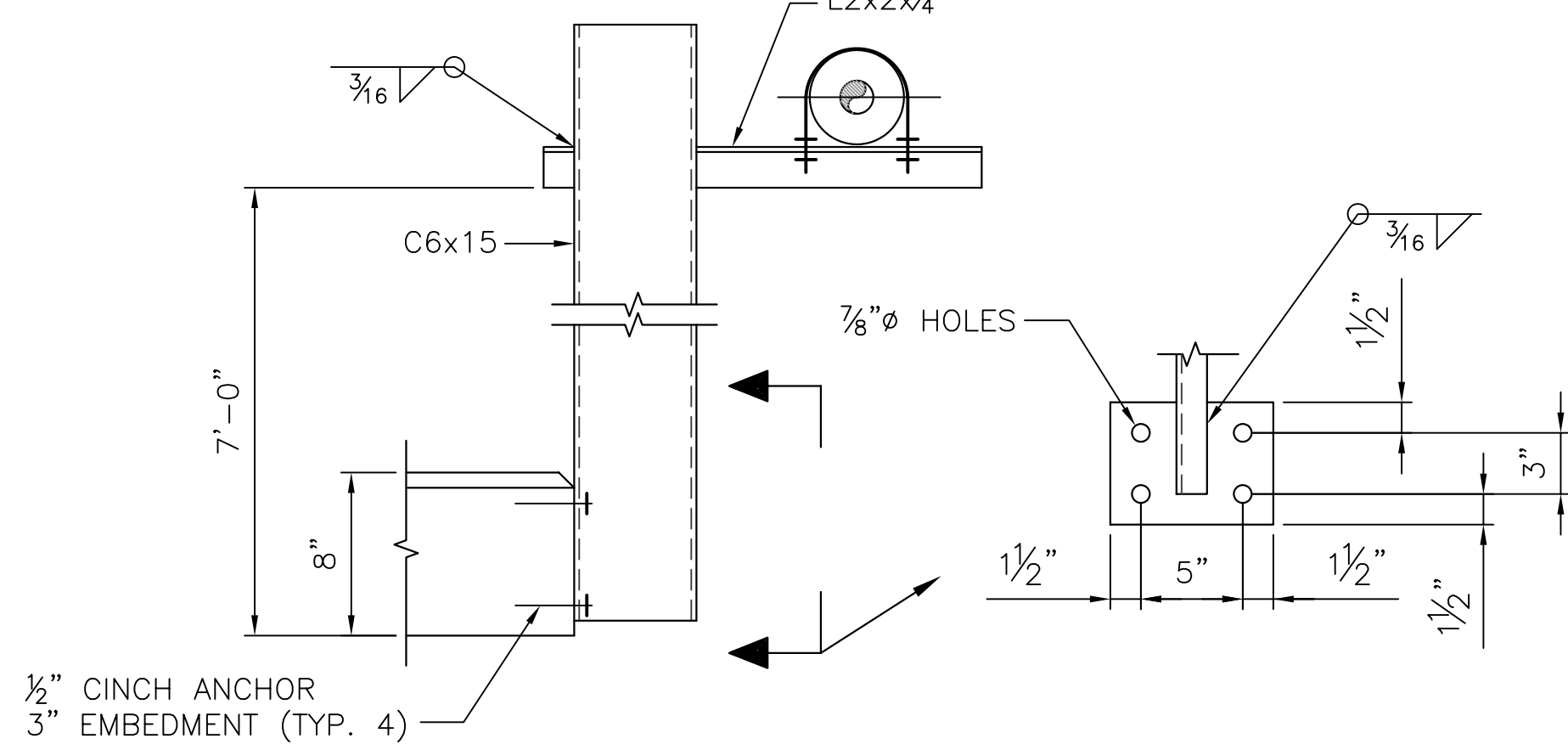
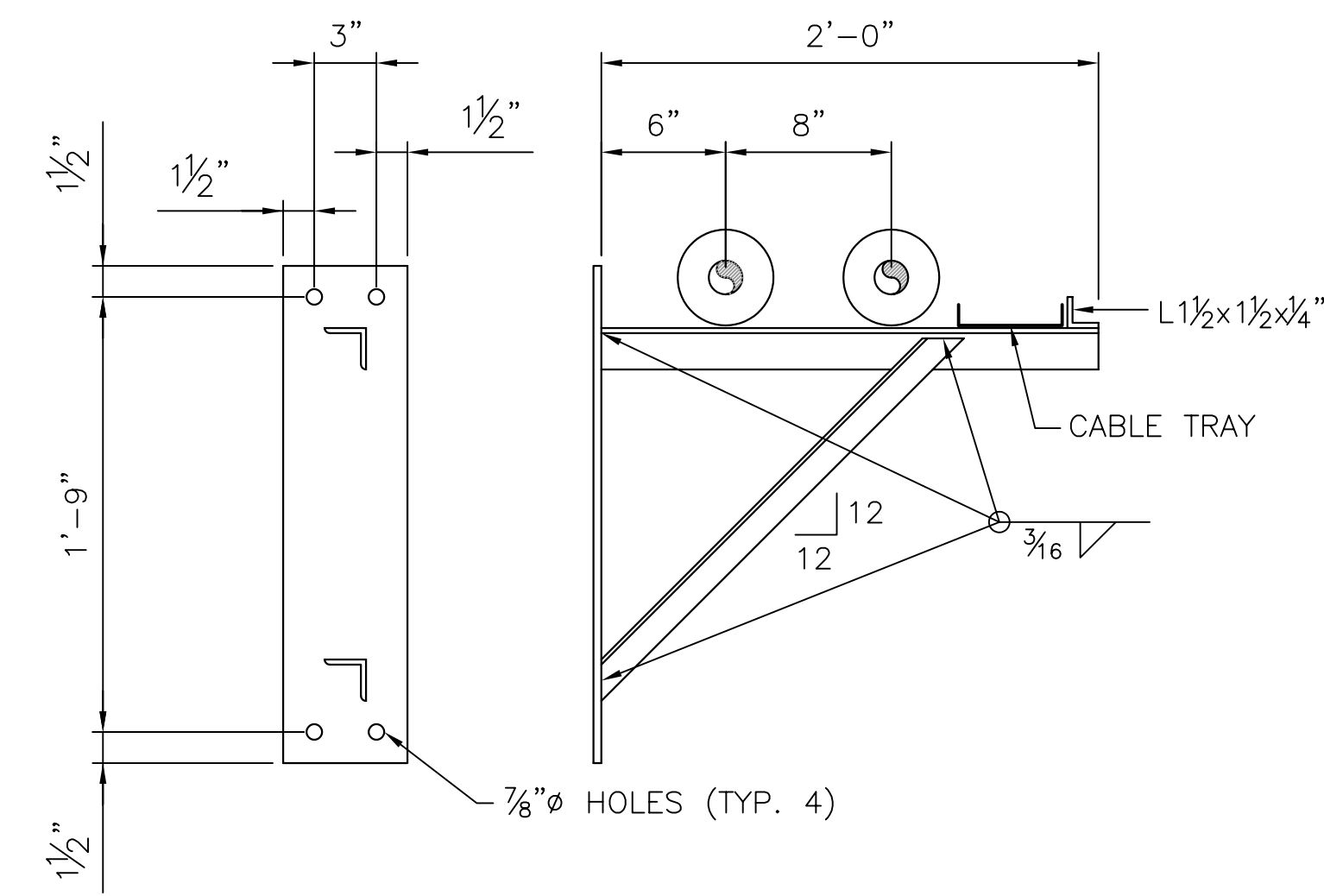


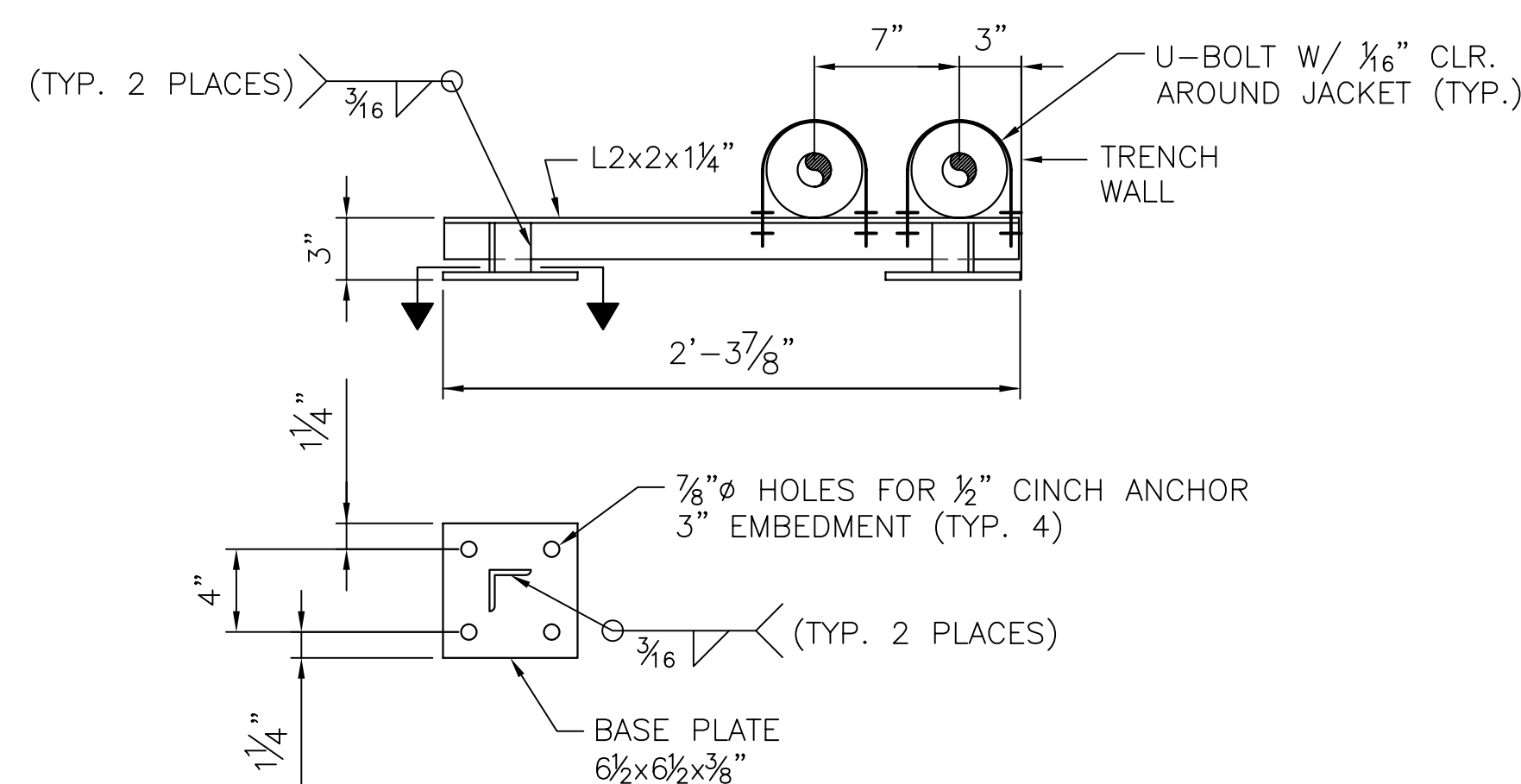
PIPE SUPPORT DETAIL 1  
SCALE: NTS



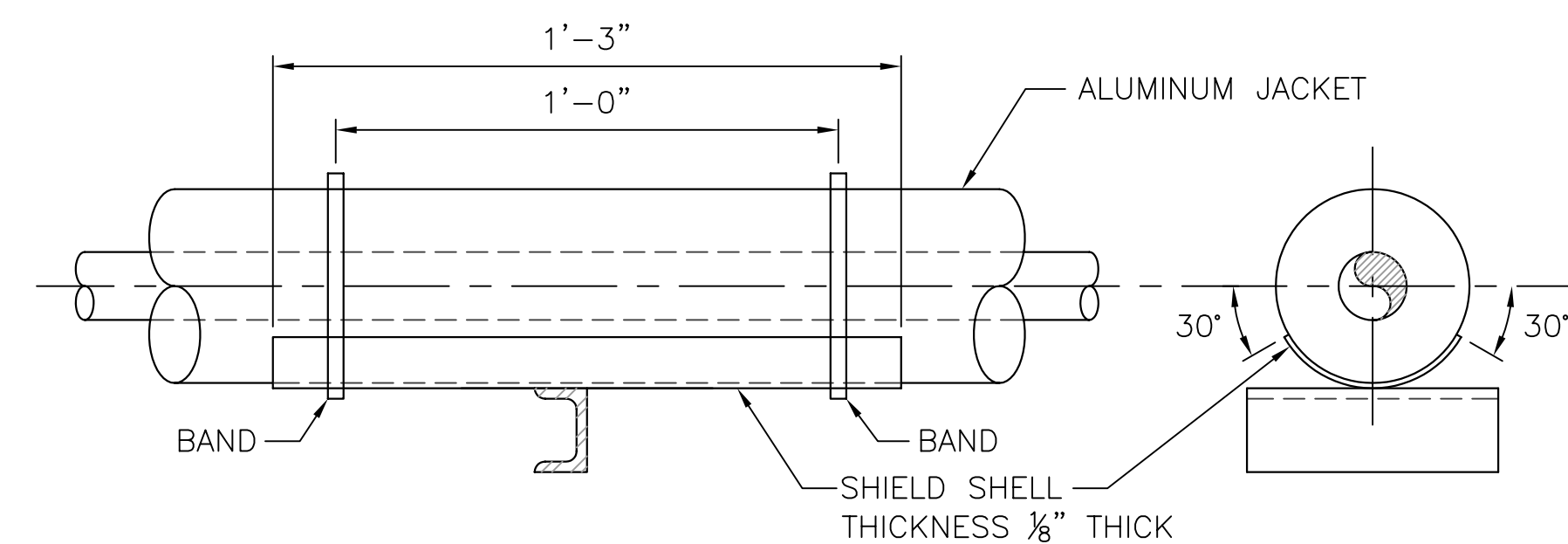
PIPE SUPPORT DETAIL 2  
SCALE: NTS



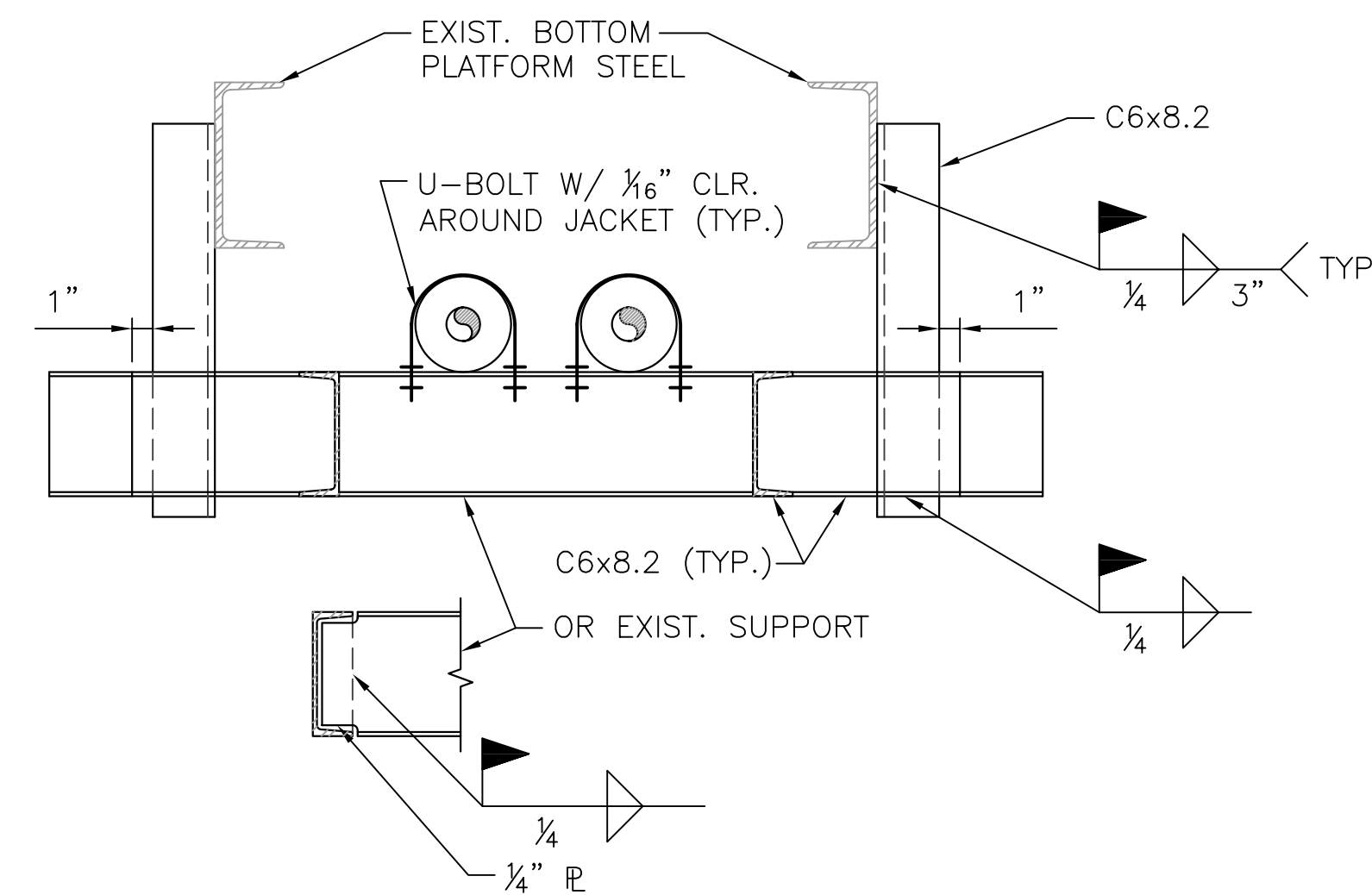
PIPE SUPPORT DETAIL 3  
SCALE: NTS



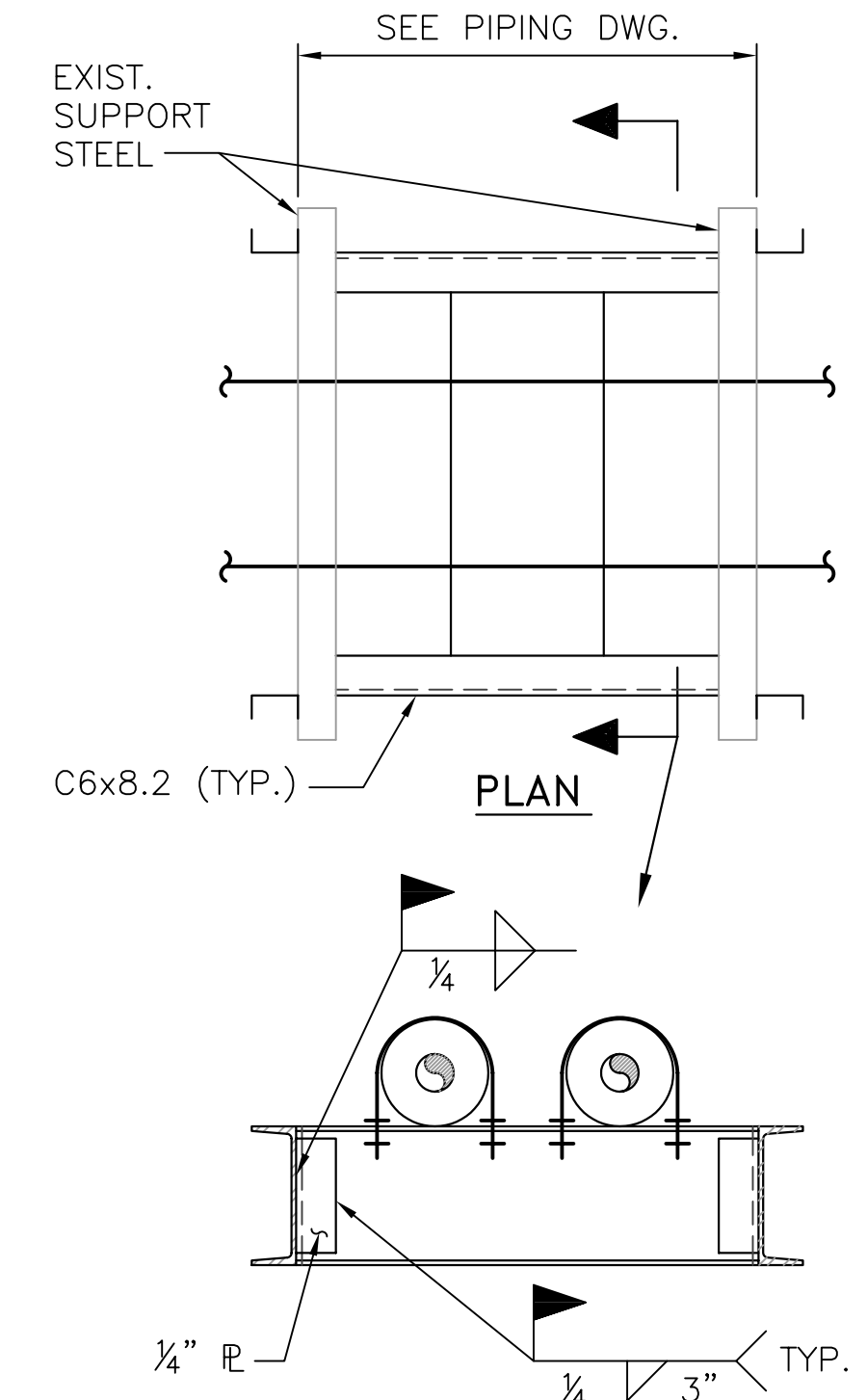
PIPE SUPPORT DETAIL 4  
SCALE: NTS



PIPE SUPPORT DETAIL 5  
SCALE: NTS



TYPICAL CHANNEL TO CHANNEL CONNECTION FOR 6 & 7  
PIPE SUPPORT DETAIL 6  
SCALE: NTS



PIPE SUPPORT DETAIL 7  
SCALE: NTS

NOTE:

- 1. ALL SUPPORTS SHALL BE GALVANIZED FOR CORROSION PROTECTION.