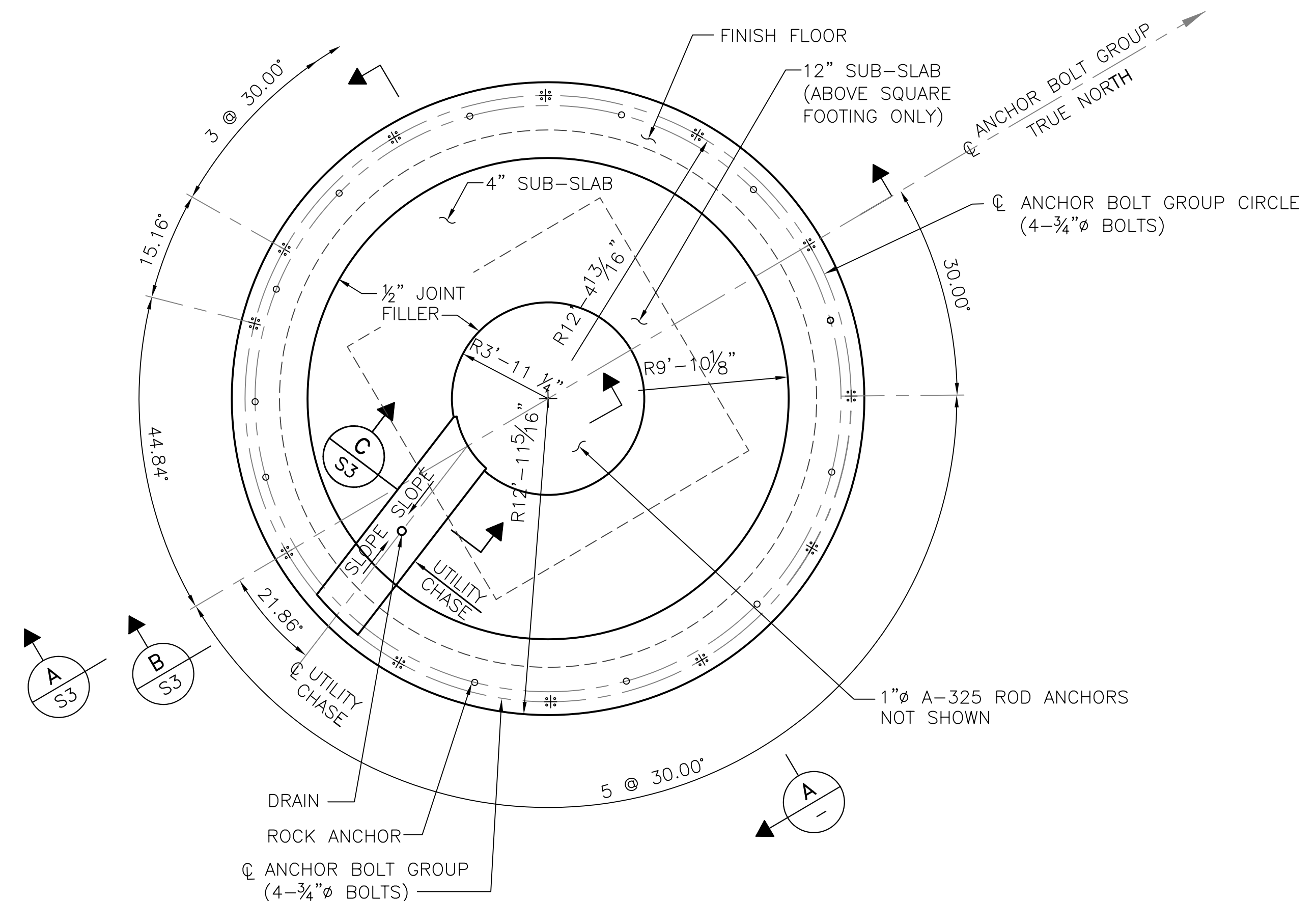
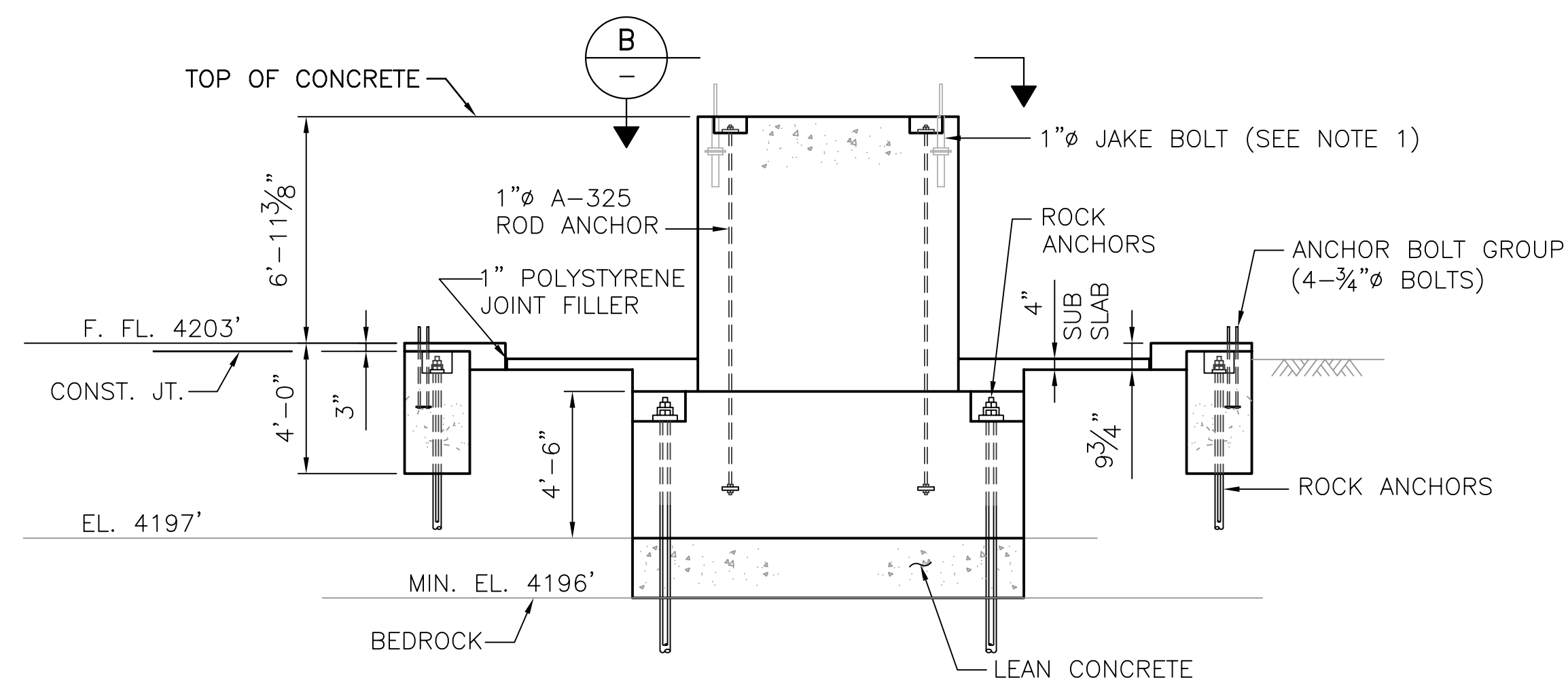


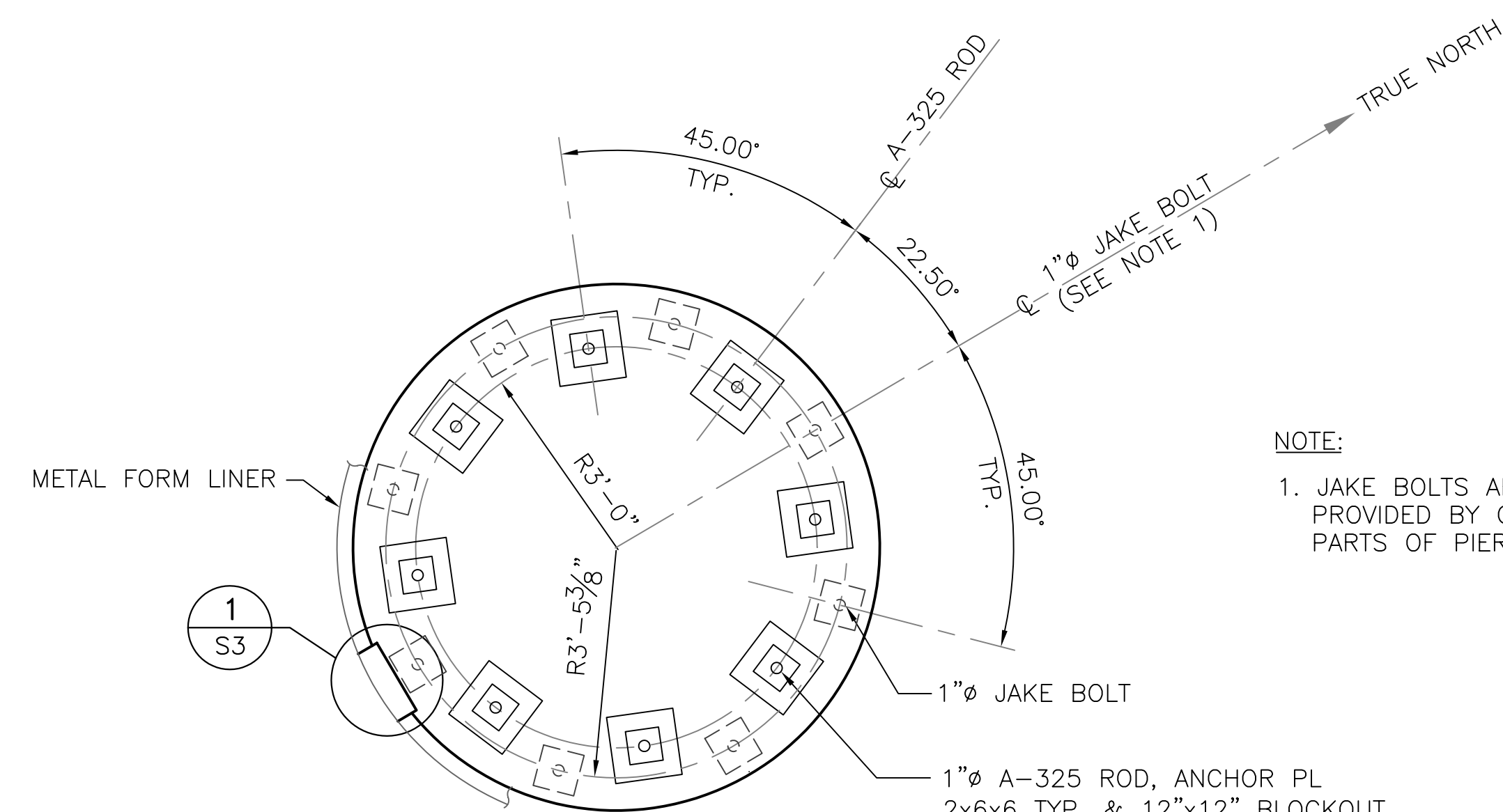
FOUNDATION PLAN
SCALE: 1/4"=1'-0"
NOTE: FOUNDATION PLAN TAKEN IMMEDIATELY BELOW CONC. SUB-SLAB



FLOOR PLAN
SCALE: 1/4"=1'-0"



SECTION
SCALE: 1/4"=1'-0"



TELESCOPE ANCHOR BOLT PLAN B
SCALE: 1/2"=1'-0"

NOTE:
1. JAKE BOLTS ARE PART OF PIER CAP ASSEMBLY PROVIDED BY OWNER. SEE SHEET S5 FOR OTHER PARTS OF PIER CAP ASSEMBLY NOT SHOWN HERE.

