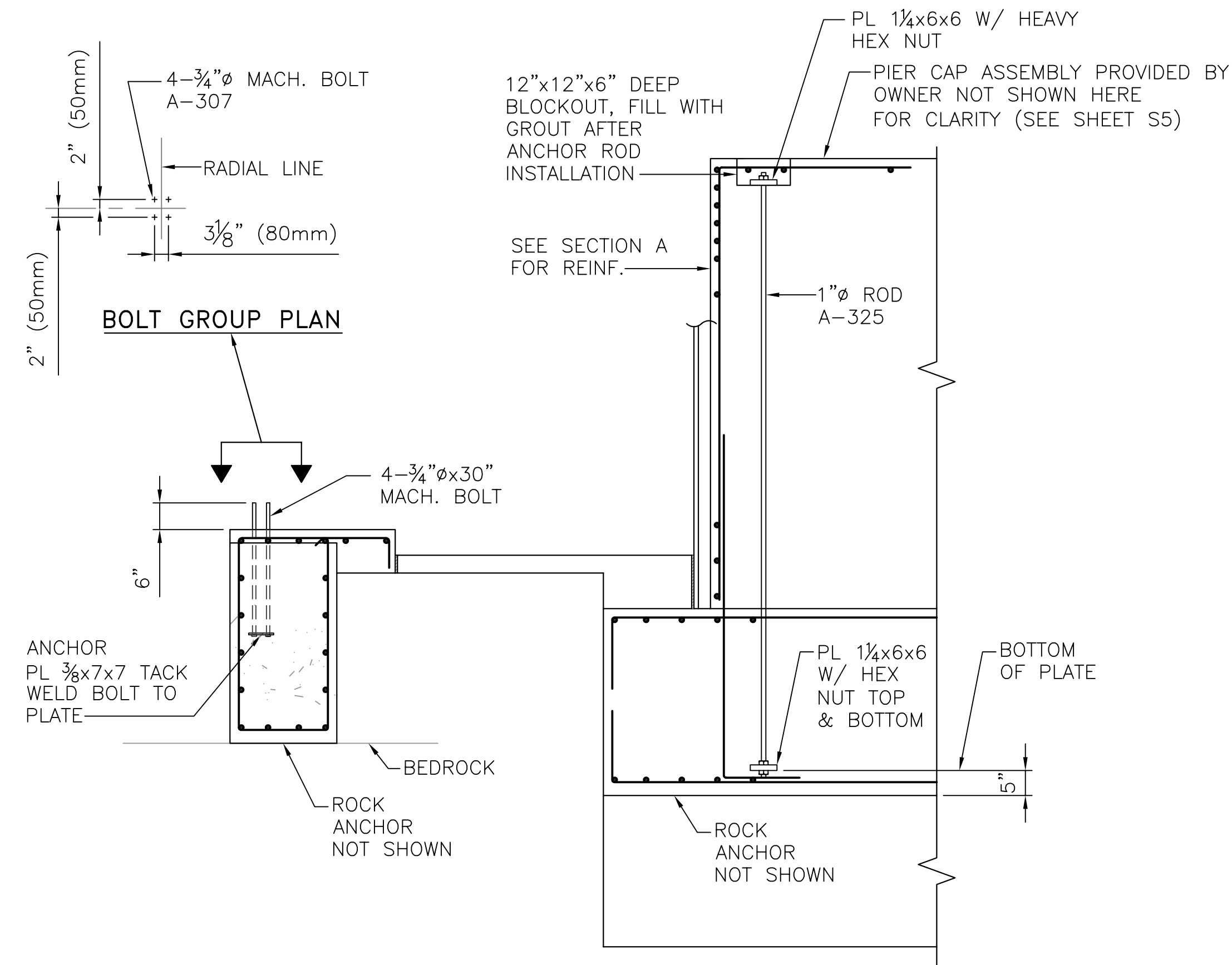
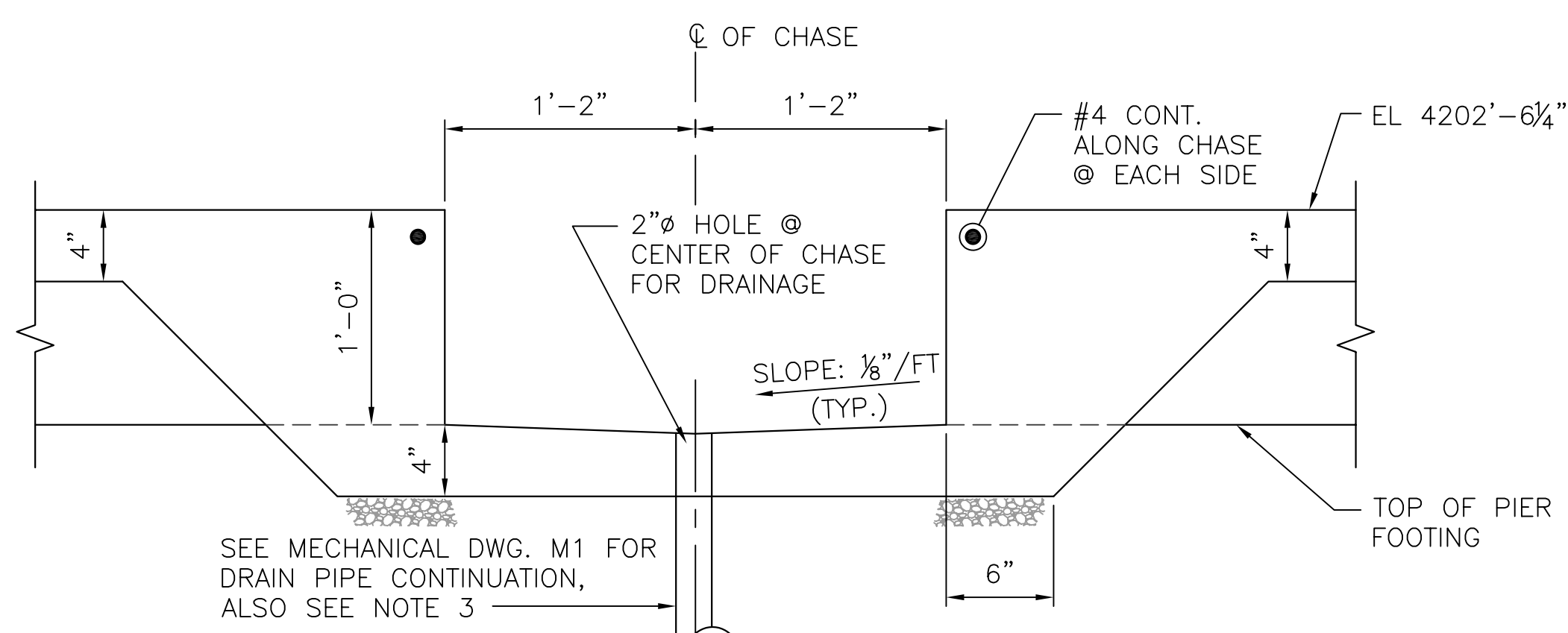


SECTION A
SCALE: 1/2"=1'-0" S2

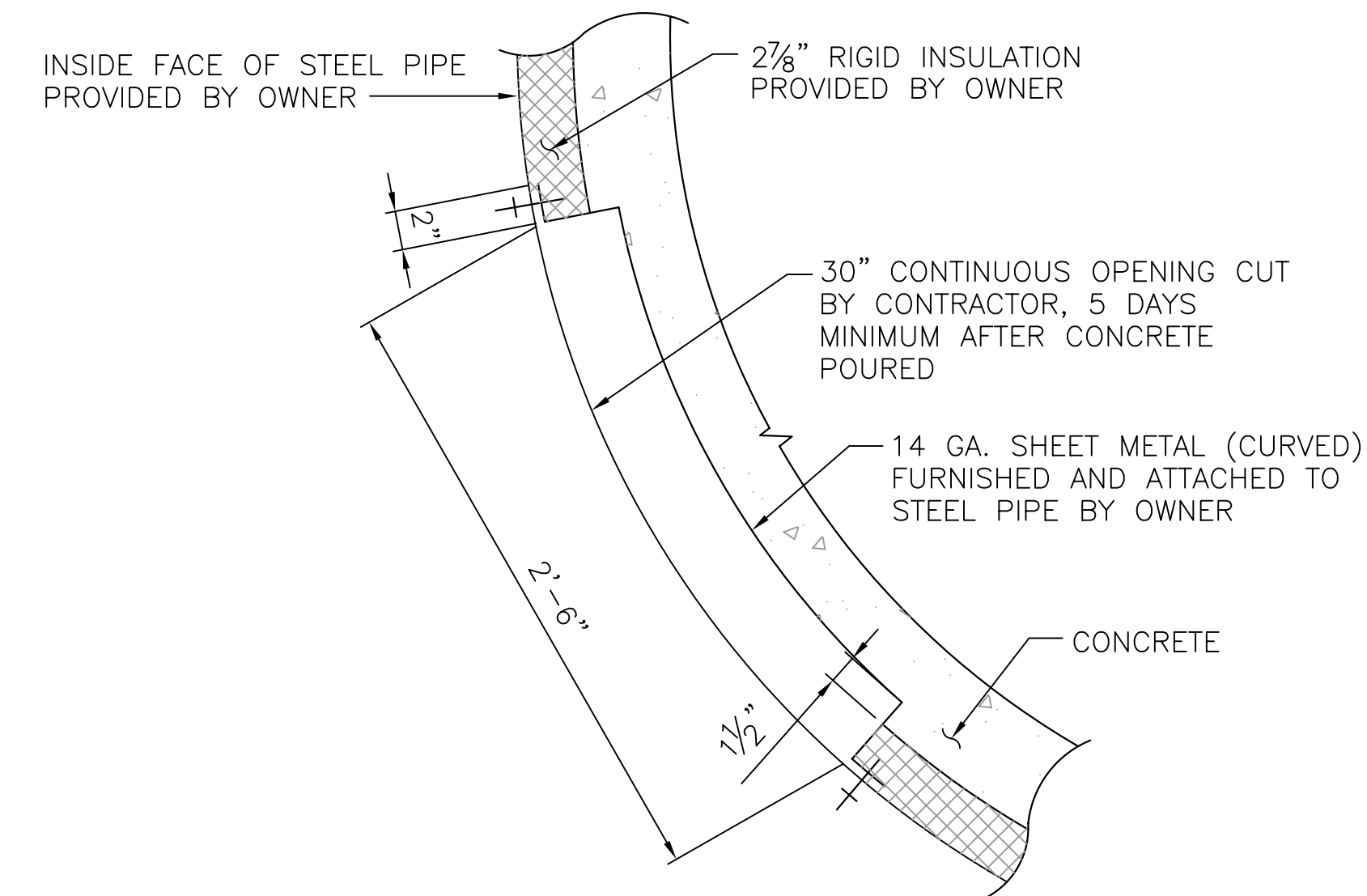
- NOTES:
- JAKE BOLTS ARE PART OF PIER CAP ASSEMBLY PROVIDED BY OWNER. SEE SHEET S5 FOR OTHER PARTS OF PIER CAP ASSEMBLY NOT SHOWN HERE.
 - COORDINATE PLACEMENT OF REBAR AND THE PIER CAP ASSEMBLY.
 - SEE MECHANICAL DRAWING FOR LOCATION OF DRAIN PIPE THAT PENETRATES PIER FOOTING.



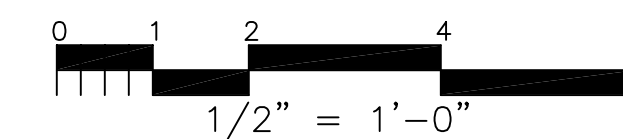
SECTION B
SCALE: 1/2"=1'-0" S2



SECTION C
SCALE: NTS S2



DETAIL 1
SCALE: NTS S2



2101 Webster St., Suite 1000
Oakland, CA 94612
Phone: (510)419-6000
Fax: (510)419-5355

UNIVERSITY OF CALIFORNIA
PHYSICAL PLANNING AND CONSTRUCTION
SANTA CRUZ CAMPUS SANTA CRUZ, CALIFORNIA

DESIGNED C. TSANG
DRAWN B. PEREZ
CHECKED

APPROVED

LOCATION

SHEET TITLE
SECTIONS
MOUNT HAMILTON UCO/LICK
AUTOMATED PLANET FINDER SITE WORK
BUILDING OR PROJECT

FILE NO. 6639
DATE 02/03/05
SHEET 3 OF