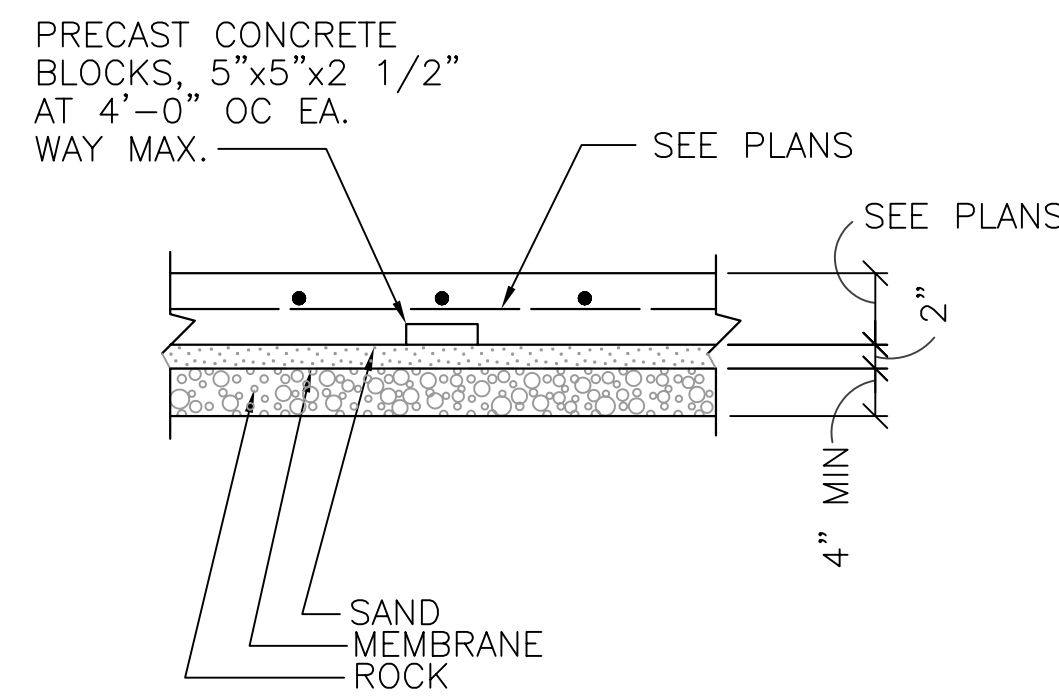
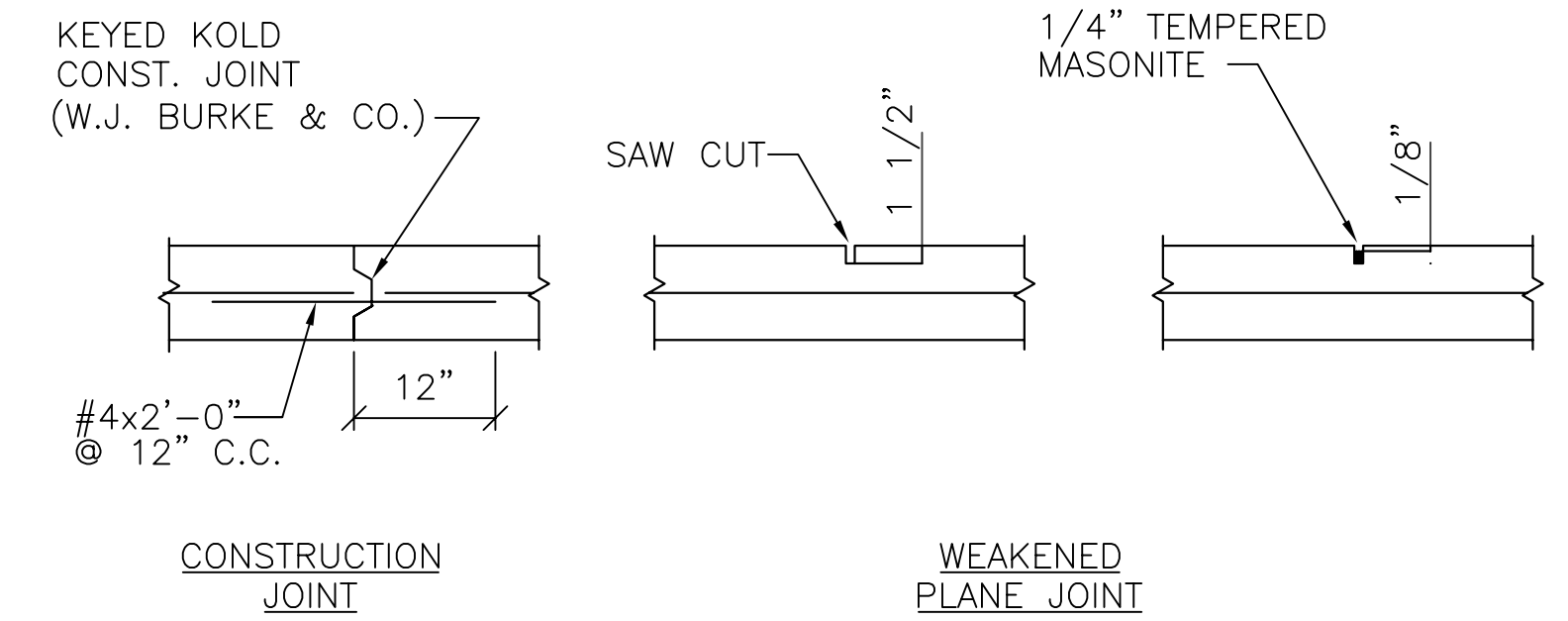


THICKENED EDGE  
**SLAB ON GRADE 1**  
 SCALE: NTS

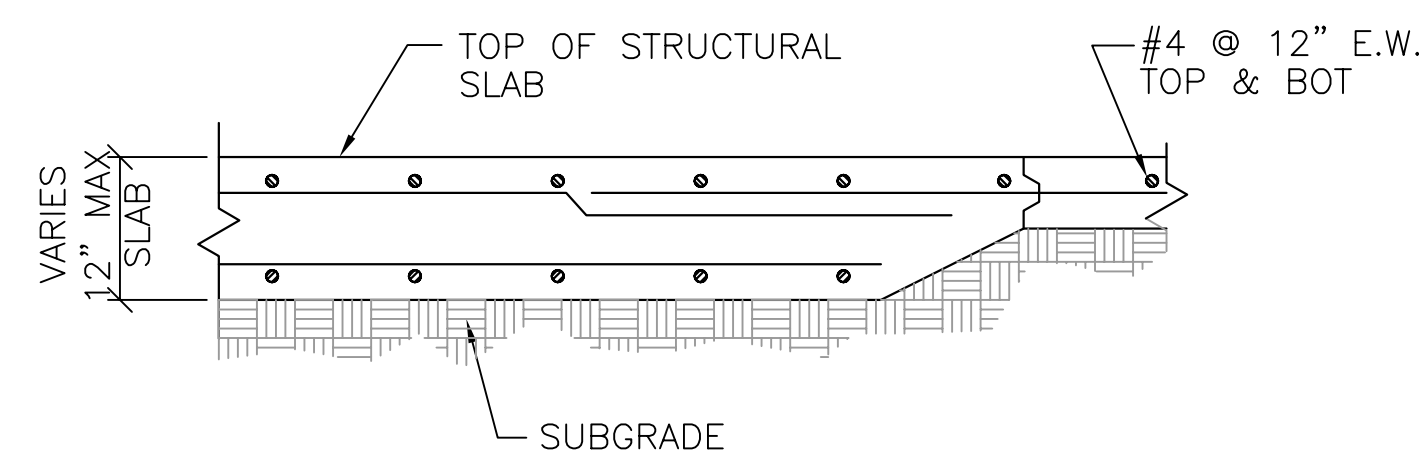


**TYPICAL SLAB ON GRADE 2**  
 SCALE: NTS

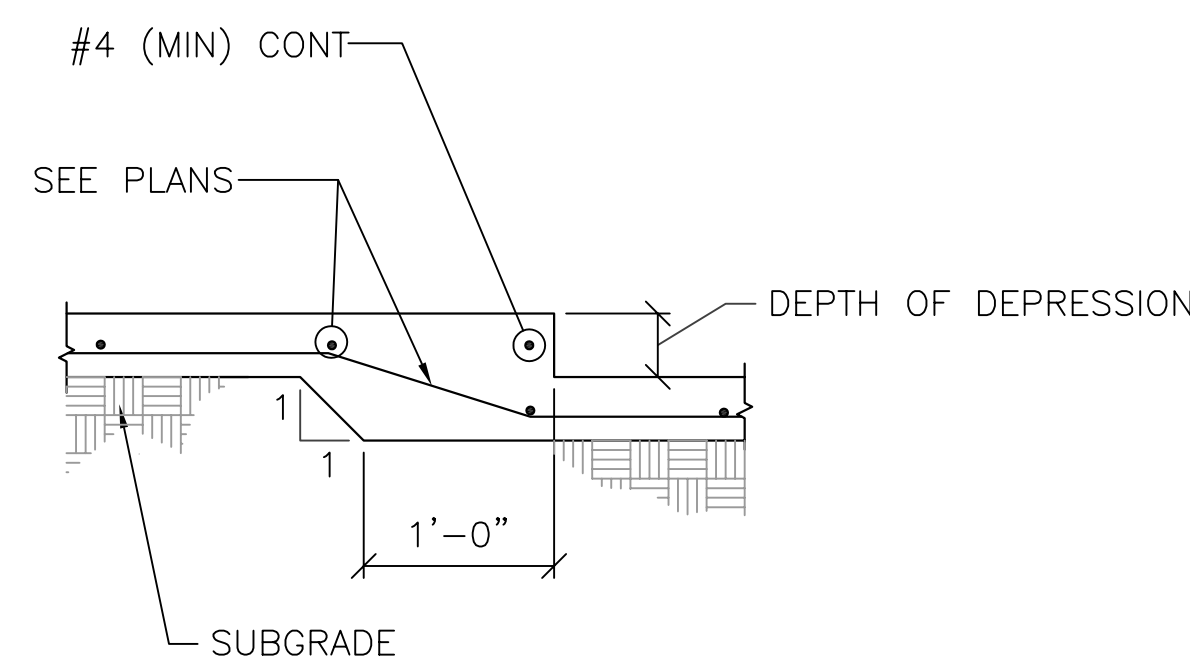


**SLAB ON GRADE 3**  
 SCALE: NTS

NOTE: LOCATE CONSTRUCTION JOINT AND WEAKENED PLANE JOINT TO ENCLOSE APPROX. SQUARE AREAS OF A MAX. 400 SQ. FT. SUBMIT LAYOUT FOR APPROVAL.



**SLAB ON GRADE WITH DIFFERENT DEPTHS 4**  
 SCALE: NTS

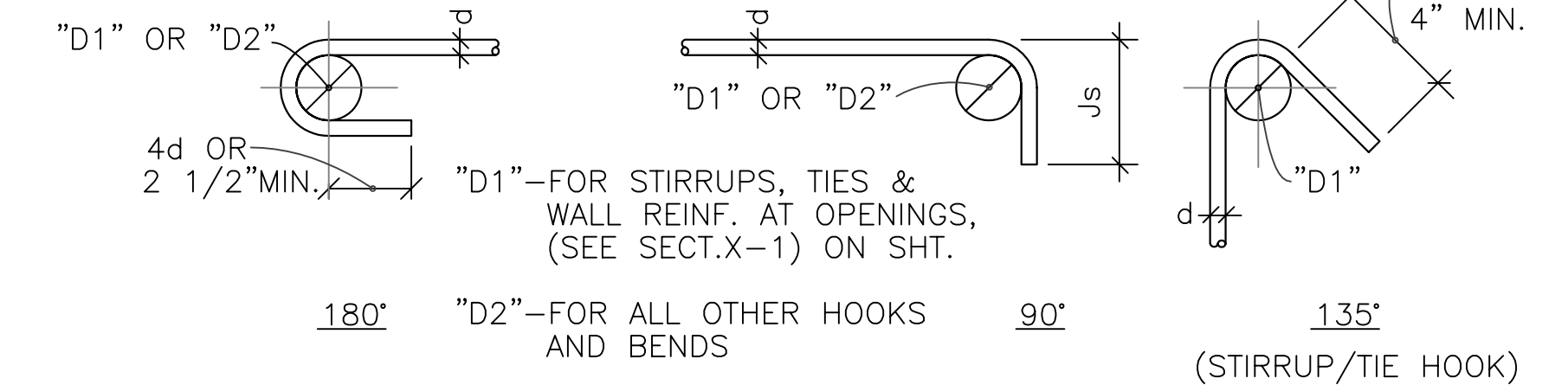


**TYP. SLAB ON GRADE DEPRESSION 5**  
 SCALE: NTS

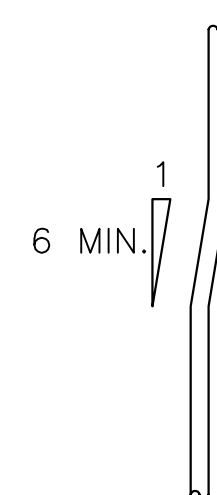
BAR	Js
#3	6"
#4	8"
#5	10"
#6	1'-0"
#7	1'-2"
#8	1'-4"
#9	1'-7"
#10	2'-0"
#11	2'-5"

MINIMUM DIAMETER OF BENDS	
"D1"	1 1/2" FOR #3 BARS 2" FOR #4 BARS 2 1/2" FOR #5 BARS
"D2"	6d FOR #3 THRU #8 BARS 8d FOR #9, #10 & #11 BARS 10d FOR #14 & #18 BARS

"D1" - FOR STANDARD STIRRUP AND TIE HOOKS, SEISMIC STIRRUP/TIE HOOKS AND WALL REINF AT OPENINGS  
 "D2" - FOR ALL OTHER HOOKS AND BENDS



**TYPICAL HOOK 6**  
 SCALE: NTS



**TYPICAL OFFSET 7**  
 SCALE: NTS  
 WHERE OFFSET IS PERMITTED

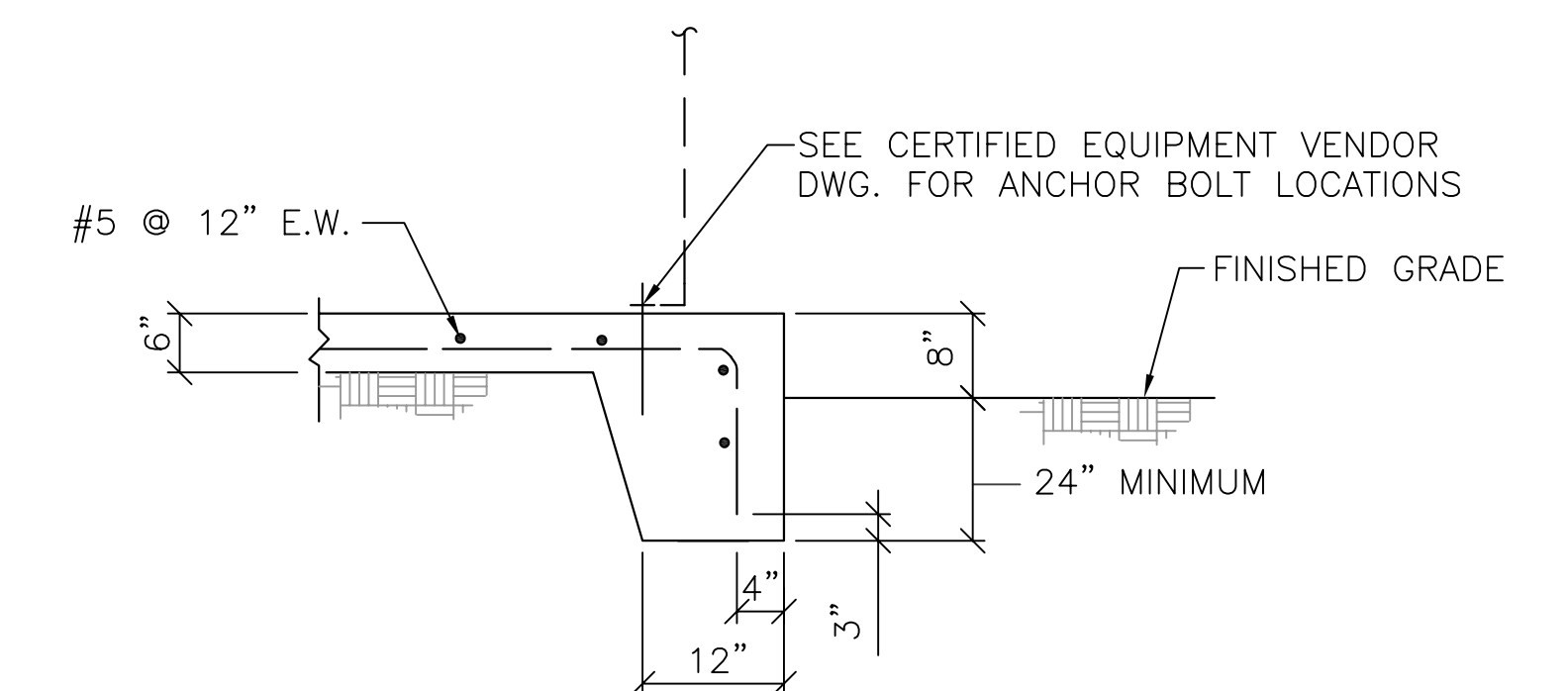
CONCRETE STRENGTH  $f_c = 4,000$  psi.

BAR SIZE	CLASS B SPLICE LENGTH	
	TOP	OTHER
#3	2'-0"	2'-0"
#4	2'-0"	2'-0"
#5	2'-3"	2'-0"
#6	2'-9"	2'-0"
#7	3'-5"	2'-6"
#8	4'-7"	3'-3"
#9	5'-9"	4'-1"
#10	7'-4"	5'-3"
#11	9'-0"	6'-5"

NOTES:

- SPLICE LENGTHS ARE TYPICAL UNLESS OTHERWISE SHOWN OR NOTED ON PLANS AND DETAILS.
- U.O.N. USE "OTHER" SPLICES WHERE SPLICES CAN BE STAGGERED. USE "TOP" SPLICES FOR COLUMNS OR BARS MARKED CONT OR WHERE SPLICES CANNOT BE STAGGERED.
- VERTICAL WALL REINFORCING SHALL LAP A MINIMUM OF 48" DIAMETER AT VERTICAL CONSTRUCTION JOINT U.O.N.

**TYPICAL LAP SPLICE 8**  
 SCALE: NTS



**EQUIPMENT PAD THICKENED EDGE 9**  
 SCALE: NTS