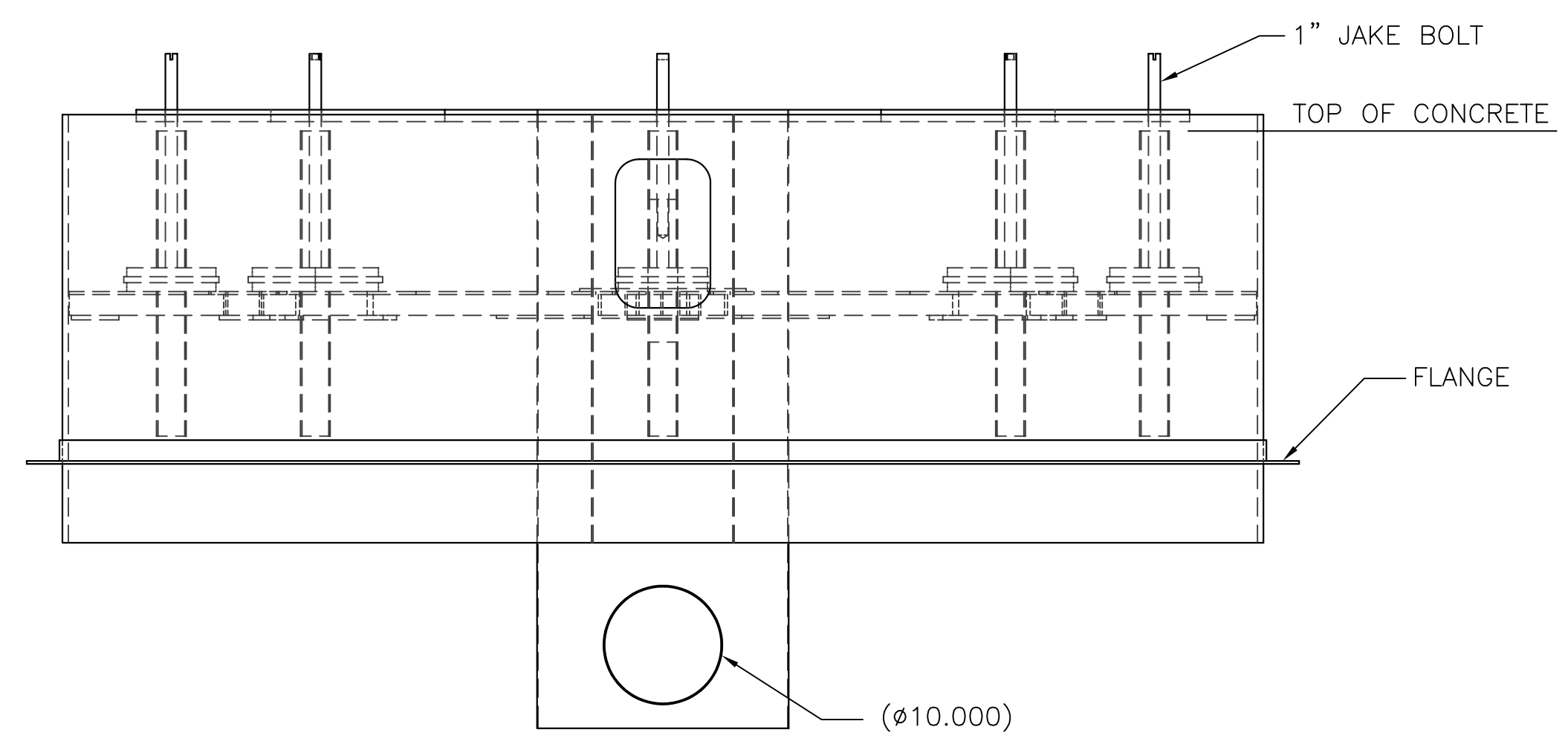
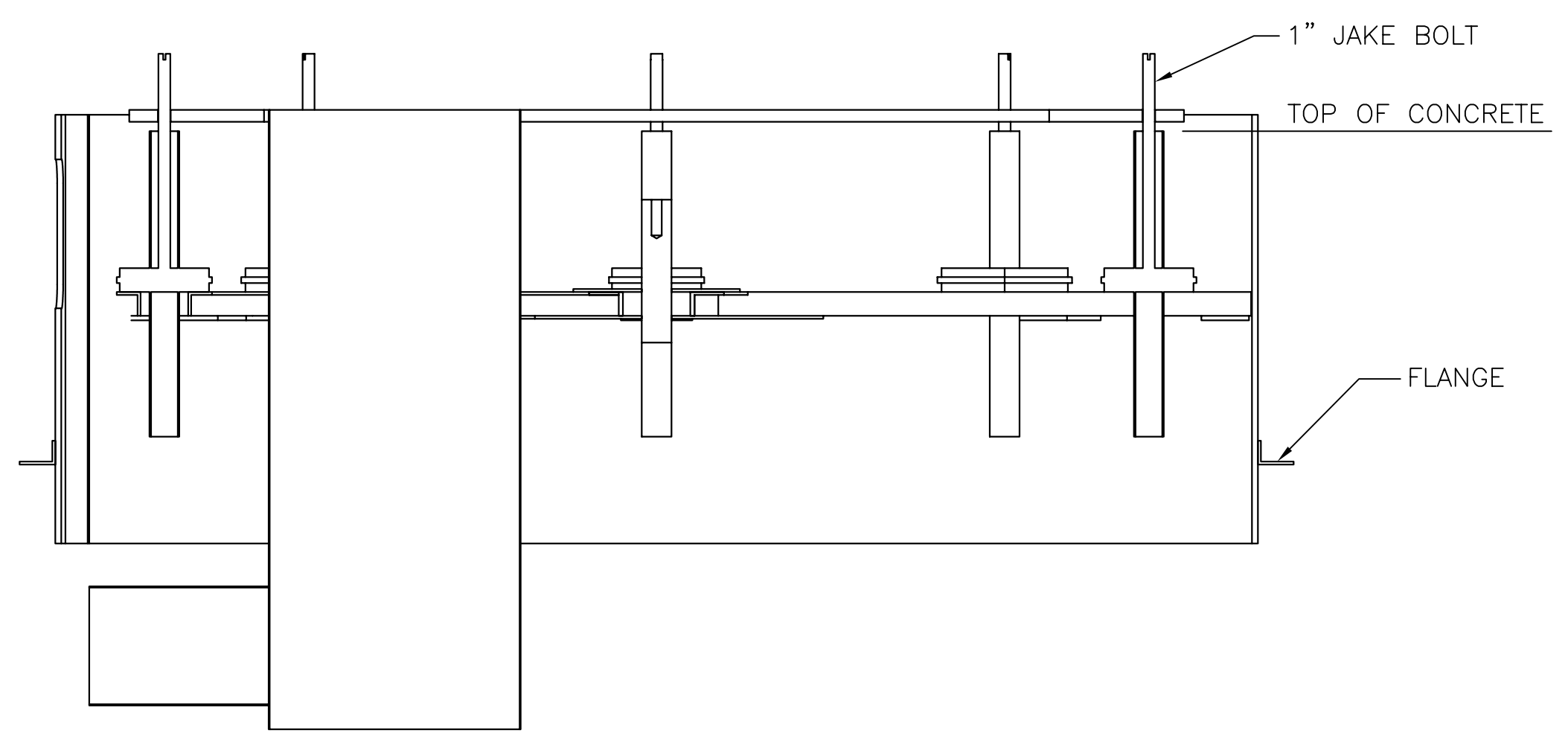


ISOMETRIC VIEW
SCALE: NTS



SECTION B
SCALE: NTS



SECTION A
SCALE: NTS

NOTE:
PIER CAP ASSEMBLY PROVIDED BY OWNER AND
INSTALLED BY CONTRACTOR.
DRAWING FOR REFERENCE ONLY.



2101 Webster St., Suite 1000
Oakland, CA 94612
Phone: (510)419-6000
Fax : (510)419-5355

UNIVERSITY OF CALIFORNIA
PHYSICAL PLANNING AND CONSTRUCTION
SANTA CRUZ CAMPUS SANTA CRUZ, CALIFORNIA

DESIGNED
DRAWN
CHECKED

APPROVED

LOCATION

SHEET TITLE
PIER CAP ASSEMBLY
MOUNT HAMILTON UCO/LICK
AUTOMATED PLANET FINDER SITE WORK
BUILDING OR PROJECT

FILE NO.
6639
DATE
04/20/05

SHEET
S5
OF